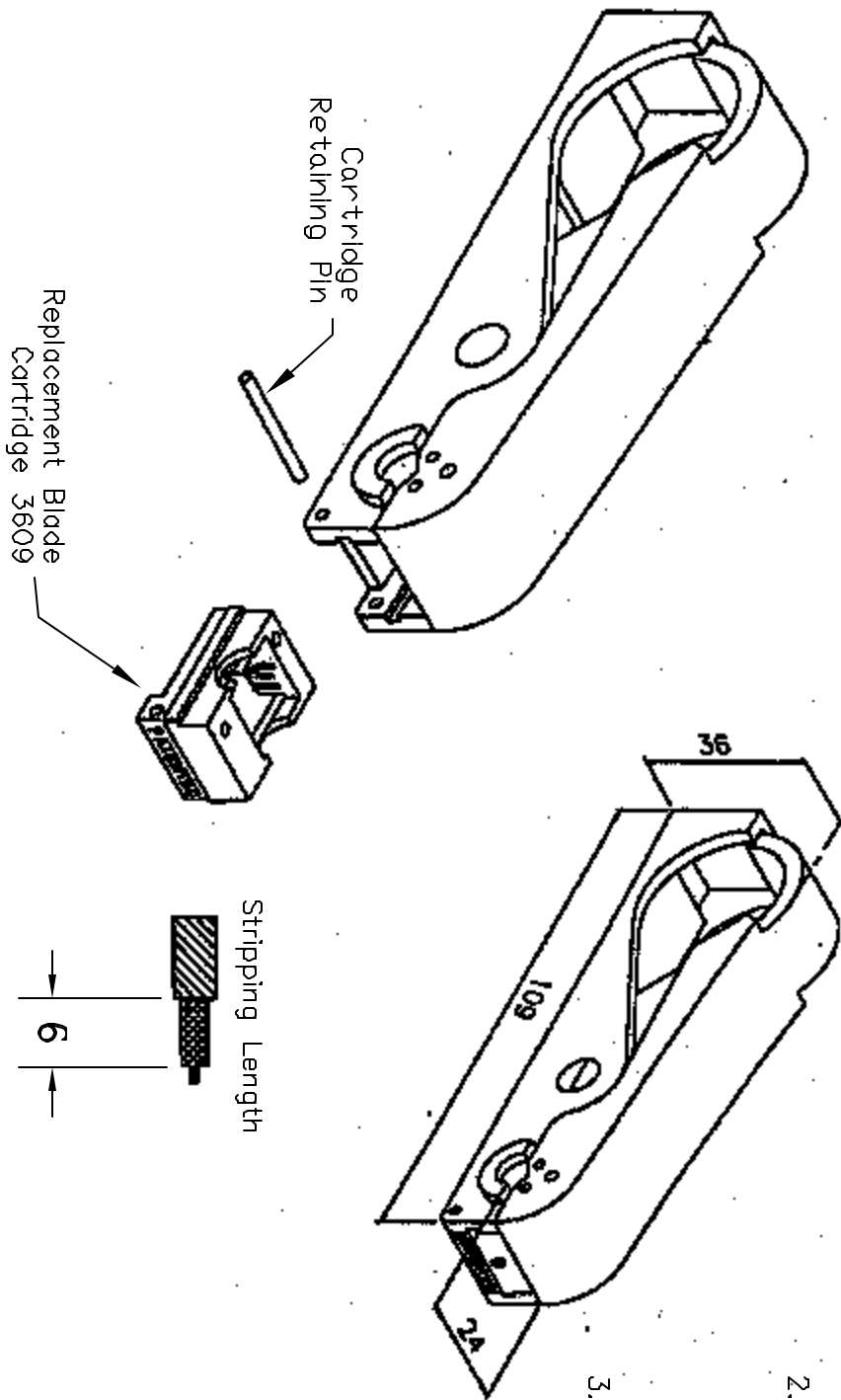


© COPYRIGHT 1998 BY SPC TECHNOLOGY. ALL RIGHTS RESERVED. NO PORTION OF THIS PUBLICATION, WHETHER IN WHOLE OR IN PART CAN BE REPRODUCED WITHOUT THE EXPRESS WRITTEN CONSENT OF SPC TECHNOLOGY.

REVISIONS		DOC. NO. SPC-FD05, Total Pages: 2	Effective: 7/15/97, DCP No: 229	Supersedes DCP No: 103	
DCP #	REV	DESCRIPTION	DRAWN DATE	CHECKD DATE	APPRVD DATE
522	A	RELEASED	J.W.M. 9/16/98		

Notes:

1. Material: Body: ABS
Blades: SK-5
Pin: Steel
2. For cable sizes: RG/U 6
RG/U 58
RG/U 59
RG/U 62
3C2V
5C2V
3. Color: Black



DISCLAIMER
ALL STATEMENTS AND TECHNICAL INFORMATION CONTAINED HEREIN ARE BASED UPON INFORMATION AND/OR TESTS WE BELIEVE TO BE ACCURATE AND RELIABLE. SINCE CONDITIONS OF USE ARE BEYOND OUR CONTROL, THE USER SHALL DETERMINE THE SUITABILITY OF THE PRODUCT FOR THE INTENDED USE AND ASSUME ALL RISK AND LIABILITY WHATSOEVER IN CONNECTION THEREWITH.

Unless otherwise specified, Dimensions are shown for reference only!

DRAWN BY:	DATE:
Jeff McVicker	9/16/98
CHECKED BY:	DATE:
John Cole	10/12/98
APPROVED BY:	DATE:
Dan Carey	10/16/98



SPC TECHNOLOGY

DRAWING TITLE: **2-Step Coaxial Cable Stripper**

SIZE	DWG. NO.	ELECTRONIC FILE	REV
A	1594	92N3418.dwg	A
SCALE:	NTS	U.O.M.: Millimeters	SHEET: 1 OF 1