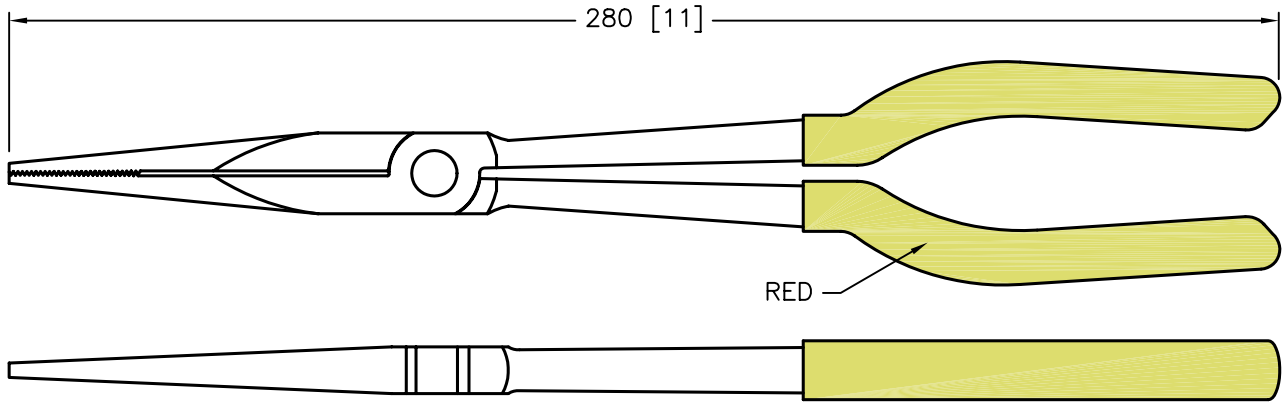
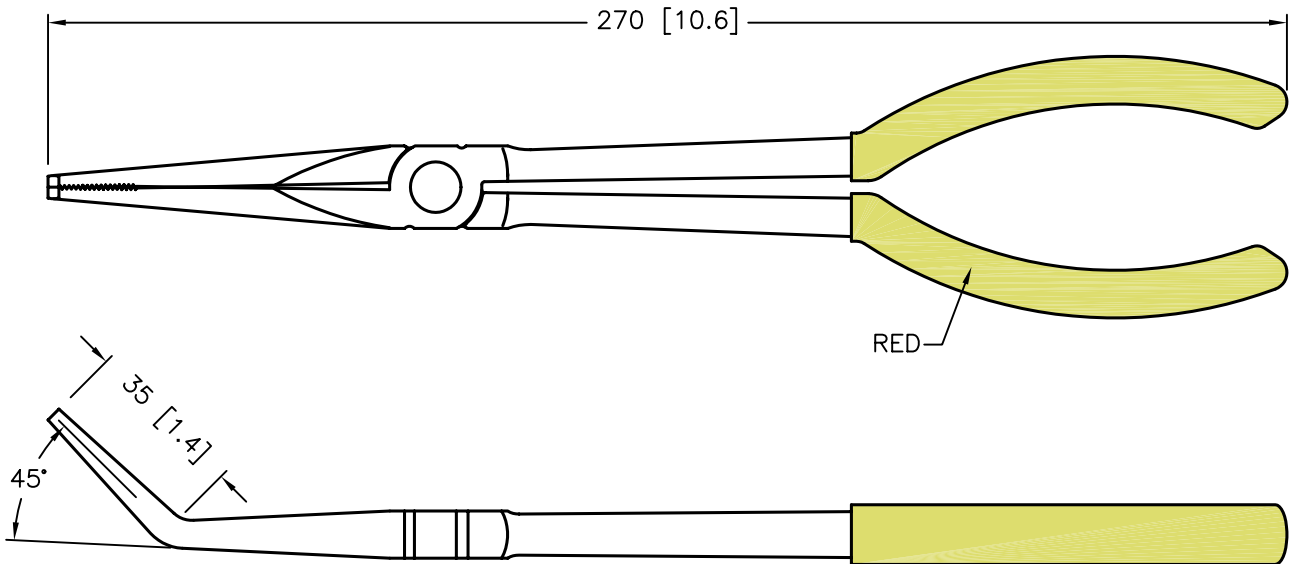


DCP #	REV	DESCRIPTION	DRAWN	DATE	CHECKD	DATE	APPRVD	DATE
1343	A	RELEASED	HO	11/25/02	JWM	12/2/02	DJC	12/16/02



STRAIGHT NOSE



BENT NOSE

MATERIAL:

- HANDLE BOOT: PVC, RED COLOR.
- METAL BODY: CARBON STEEL, NICKEL-PLATED

SPC-F004.DWG

TOLERANCES: UNLESS OTHERWISE SPECIFIED, DECIMALS .X ±0.2 [0.008] .XX ±0.12 [0.005]	DRAWN BY: HISHAM ODISH	DATE: 11/25/02	DRAWING TITLE: LONG REACH PLIERS SET			
	CHECKED BY: JEFF MCVICKER	DATE: 12/2/02	SIZE A	DWG. NO. SPC11557	ELECTRONIC FILE 67C0950.DWG	REV A
	APPROVED BY: DANIEL CAREY	DATE: 12/16/02	SCALE: NTS		U.O.M.: mm [INCHES]	SHEET: 1 OF 1

ALL RIGHTS RESERVED. NO PORTION OF THIS PUBLICATION, WHETHER IN WHOLE OR IN PART CAN BE REPRODUCED WITHOUT THE EXPRESS WRITTEN CONSENT OF SPC TECHNOLOGY. DISCLAIMER: ALL STATEMENTS AND TECHNICAL INFORMATION CONTAINED HEREIN ARE BASED UPON INFORMATION AND/OR TESTS WE BELIEVE TO BE ACCURATE AND RELIABLE. SINCE CONDITIONS OF USE ARE BEYOND OUR CONTROL, THE USER SHALL DETERMINE THE SUITABILITY OF THE PRODUCT FOR THE INTENDED USE AND ASSUME ALL RISK AND LIABILITY WHATSOEVER IN CONNECTION THEREWITH.