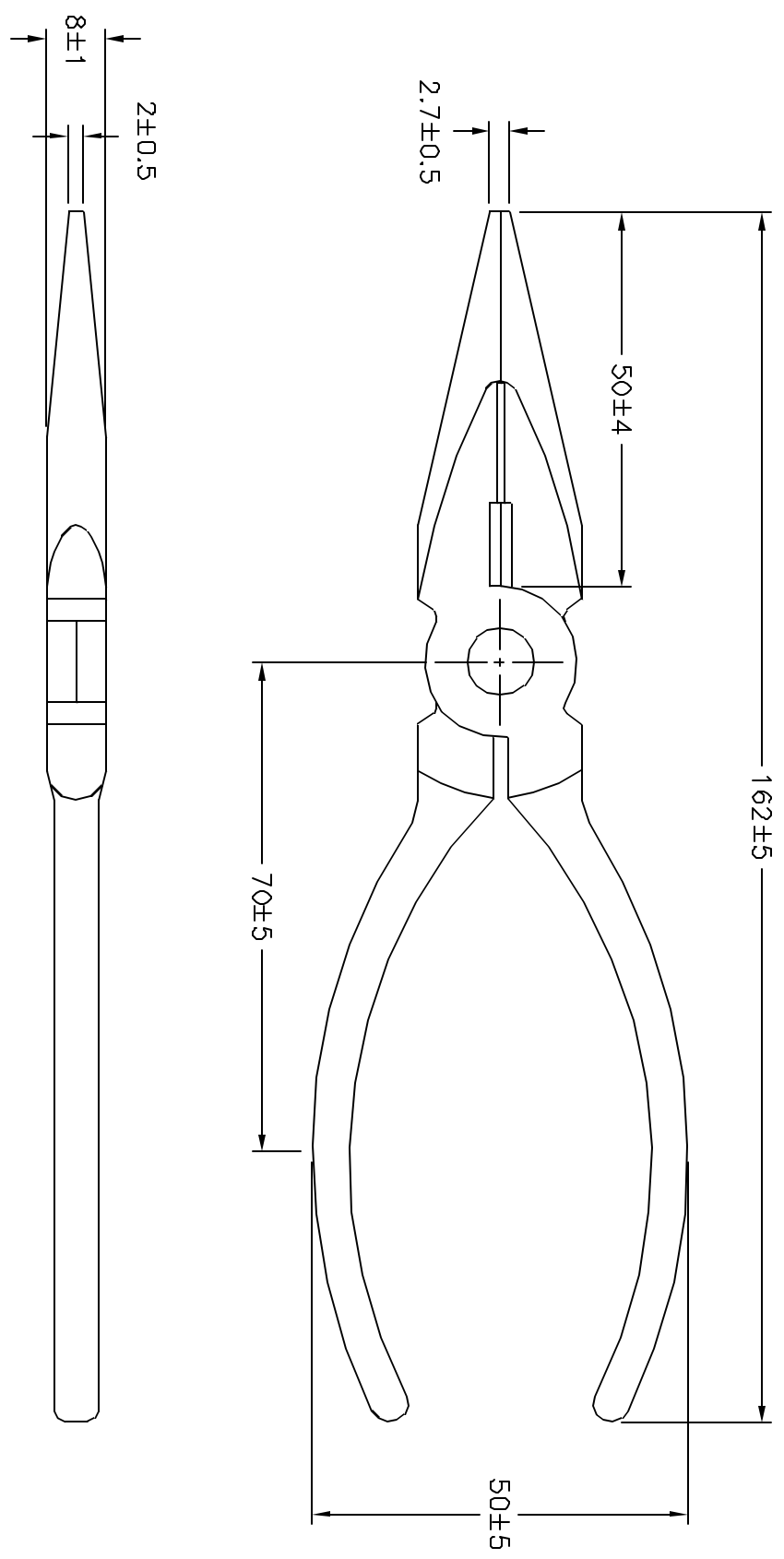


ALL RIGHTS RESERVED. NO PORTION OF THIS PUBLICATION, WHETHER IN WHOLE OR IN PART CAN BE REPRODUCED WITHOUT THE EXPRESS WRITTEN CONSENT OF SPC TECHNOLOGY.

REVISIONS		DOC. NO.	DATE	CHECKED	DATE	APPRVD	DATE
DOP #	REV	DESCRIPTION	DRAWN	DATE	CHECKD	DATE	DATE
1179	A	RELEASED	HYO	3/1/02	JWM	3/4/02	3/4/02



Material: Steel, Chrome-Vanadium

DISCLAIMER
 ALL STATEMENTS AND TECHNICAL INFORMATION CONTAINED HEREIN ARE BASED UPON INFORMATION AND/OR TESTS WE BELIEVE TO BE ACCURATE AND RELIABLE. SINCE CONDITIONS OF USE ARE BEYOND OUR CONTROL, THE USER SHALL DETERMINE THE SUITABILITY OF THE PRODUCT FOR THE INTENDED USE AND ASSUME ALL RISK AND LIABILITY WHATSOEVER IN CONNECTION THEREWITH.

UNLESS OTHERWISE SPECIFIED, DIMENSIONS ARE FOR REFERENCE PURPOSES ONLY.

DRAWN BY:	DATE:
HISHAM ODISH	3/1/02
CHECKED BY:	DATE:
JEFF MCYCKER	3/4/02
APPROVED BY:	DATE:
DANIEL CAREY	3/4/02

SPC TECHNOLOGY

DRAWING TITLE: **LONG NOSE PLIERS**

SIZE	DWG. NO.	ELECTRONIC FILE	REV
A	312-7199	18C1993.DWG	A
SCALE:	NTS	U.O.M.: MILLIMETERS	SHEET: 1 OF 1