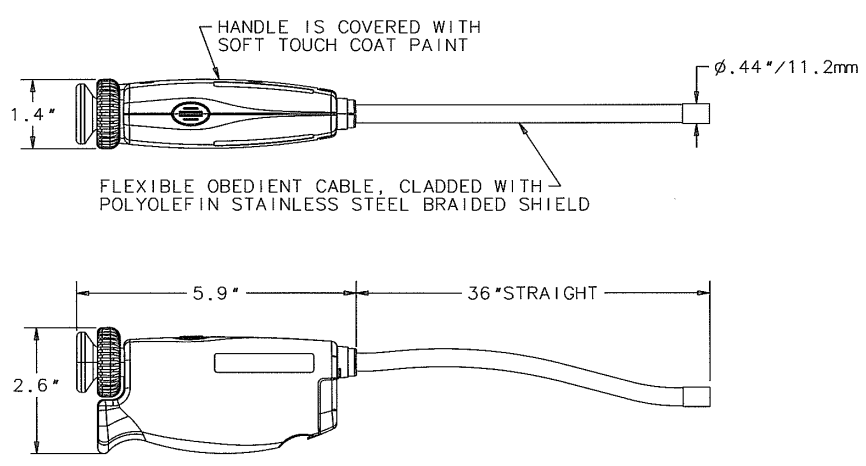


REVISIONS			
REV	ECR NO	DESCRIPTION	DATE
A	24323	NEW RELEASE	04/18/05




SPECIFICATIONS

- 2 AA 3.6V LITHIUM BATTERY (INCLUDED)
- LENS END WITH (2) HIGH BRIGHTNESS WHITE LED's
- HIGH RESOLUTION, 7400 PIXEL FIBER OPTIC IMAGE GUIDE
- 40° FIELD OF VIEW
- INFINITE DEPTH OF FIELD
- MOMENTARY ON SWITCH
- INTEGRATED FOCUS RING, ADAPTS TO MOST EYES
- COLORS: BLACK - HANDLE
- BLACK - FOCUS WHEEL, LIGHT SWITCH, BATTERY DOOR

SDRC FILE NAME: B18925

PRECAUTIONS

- AVOID OVER-BENDING THE SHAFT (OVER-BENDING WILL VOID WARRANTY)
- DO NOT SUBMERSE THE HANDLE IN ANY LIQUID
- DO NOT IMMERSE THE SHAFT IN ANY SOLVENT FOR EXTENDED PERIODS
- DO NOT USE IN PROXIMITY OF LIVE ELECTRICAL CIRCUITS
- DO NOT USE IN EXPLOSIVE ENVIRONMENTS
- STORAGE AND OPERATING TEMPERATURES -10° TO +120°F

DIM ARE IN INCHES		① FOR INSPECTION USE ONLY		② SPC DOCUMENTATION REQ. (X R CHARTS)	
THIS DWG IS THE PROPERTY OF CHICAGO MINIATURE LAMP, INC. AND IS PROPRIETARY IN GENERAL AND IN DETAIL. IT SHALL NOT BE COPIED OR ITS CONTENTS REVEALED TO OUTSIDE PARTIES WITHOUT THE WRITTEN CONSENT OF CHICAGO MINIATURE LAMP, INC.	DRAWN BY	DATE	PART NO		
	RHW	04/18/05			
	CHECKED BY	DATE	MODEL NO	PV300E	
	RS	4-20-05			
	ENG. APPRV.	DATE	MOLD NO		
	DB	4-21-05			
	UNLESS OTHERWISE SPECIFIED TOLERANCES ON:		MATERIAL		
	ANGLE	±1°	FINISH		
			 CHICAGO MINIATURE LAMP, INC 147 CENTRAL AVE. HACKENSACK, NJ 07601		
			TITLE ELITE PROVISION		
DIST. S		DWG NO B18925	REV A		
SCALE 1:2			SHEET 1 OF 1		

ORIGINAL
WHEN RED