

# Our NEW SuperScope !!

The **New Standard** in **RoHS** inspection



*NEW LCD Monitor!!!*



# TKSS-40

*Versatile Mounting Options!!!*  
**NEW Articulating Arm or Innovative  
Ball Bearing Base**



*Easy to Use Controls...*



# TKSS-40

Combining a **NEW Hi-End 14 " Professional-Grade LCD video system** with a superior 1/2 " camera, **Super Scope®** delivers **clear, real-time color images** without fatigue and

back pain associated with long hours of microscope use. It includes audio and extra video input and output ports. Images are shown on **LCD display** and can be **captured and transferred via E-MAIL with VOICE-OVER to anyone over the INTERNET**. Standard magnification range is **4-40x**, and up to **80x** with optional **2x lens**.

*...Making Light Work*

**O.C White Co.**  
2039 Bridge St  
Three Rivers, MA  
01080

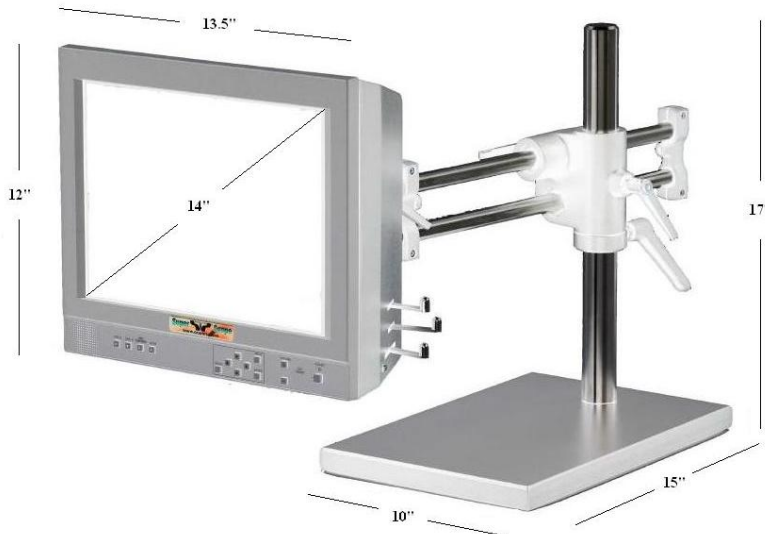
**Contact Information**  
Phone: 413-289-1751  
Fax: 413-289-1754  
E-mail: [info@ocwhite.com](mailto:info@ocwhite.com)

  
**O.C. White Co.**  
Quality Since 1894

# Technical Specifications

Power Requirement	<b>120/240 volt Auto Switchable</b>
Color	<b>Black</b>
RoHS Compliant	<b>Yes</b>
Magnification	<b>4-40x (up to 80x with additional lens)</b>
Screen Size	<b>14" Professional LCD with 170° Wide Viewing Angle</b>
Video Signal Format	<b>NTSC and PAL available</b>
Input/Output options	<b>Audio IN and OUT, as well as Video OUT (S-video)</b>
Video Capture Options	<b>18516-2 Capture Hardware for Still Image and Video with "voice over"</b>
Light Source	<b>FS1000 Full Spectrum 5500° K Fluorescent Ring Light</b>
Bulb Type	<b>Micro-Lite® Fluorescent Ring with Rare Earth Tri-Phosphors</b>
Light Intensity	<b>Dual Light Intensity (High/Low)</b>
Replacement Bulb	<b>Only use OC White p/n FS150 "Full Spectrum Fluorescent Bulb"</b>
Base Style	<b>Heavy Duty Weighted Base with Double Ball Bearing Arm</b>
Warranty Period	<b>5 Year Mechanical; 1 Year Electrical</b>

## Mechanical Specs



**18516-2 Image Acquisition Software Bundle**

**O.C. White Co.**  
**2039 Bridge St.**  
**Three Rivers, MA**  
**01080**

**Contact Information**  
**Phone: 413-289-1751**  
**Fax: 413-289-1754**  
**Email: [info@ocwhite.com](mailto:info@ocwhite.com)**

