

# Magnilite® Professional Magnifier



# 32400

Shadow White (Light Grey)

- ESD Safe
- **RoHS Compliant**
- Offered on exclusive Ultraflex® Heavy Duty Arm Assembly
- Exclusive **Full Spectrum** Lighting for **Lead-Free** Soldering
- Shadowless 8" circline bulb for even light dispersion
- Excellent 5" Round, Crown White Optical Glass
- Ergonomic Design for Maximum Comfort, Safety and Productivity
- Rigid Assembly and Inspection Standards
- Exclusive 10 year Lifetime Warranty
- 120 Volt UL / cUL; 230 Volt Available (CE)
- Many mounting styles to choose from (Table Clamp *shown above*, Screw Down, and Weighted Base)



**O.C. White Co.**  
4226 Church St.  
Thorndike, MA  
01079

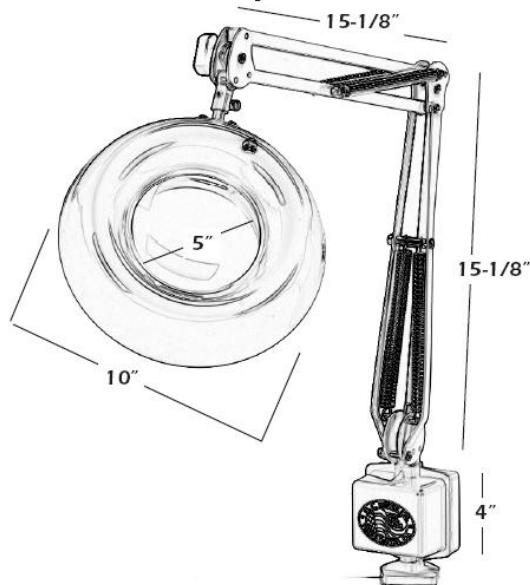
**Contact Information**  
Sales: 413-289-1751  
Tech: (888) OCWHITE  
Fax: 413-289-1754  
Email: [info@ocwhite.com](mailto:info@ocwhite.com)

WHITE LITES®  
**O.C. White Co.**  
Quality Since 1894

# Technical Specifications

Power Requirement	<b>120 volt (230 volt Available)</b>
Color	<b>Black, Black &amp; Gold, Shadow White (Light Grey), or “Lead-Free” Green</b>
RoHS Compliant	<b>Yes</b>
ESD Safe	<b>Yes</b>
Magnification	<b>3 Diopter (1.75x); 5 Diopter Available (2.25x)</b>
Warranty Period	<b>10 Year Lifetime Mechanical; 1 Year Electrical</b>
Approvals	<b>UL / cUL &amp; CE</b>
Arm Reach	<b>37” Overall Reach</b>
Arm Style	<b>Ultraflex® 1/2” Heavy Duty Assembly</b>
Bulb Type	<b>8” Full Spectrum Shadowless Circline Bulb</b>
Color Temperature	<b>5500° Kelvin Full Spectrum</b>
Replacement Bulb	<b>Only use OC White p/n 13367 “Full Spectrum Magnilite® Bulb”</b>
Rated Service Life	<b>Bulb rated for 7,500 hours before replacement</b>
Mounting	<b>Table Clamp Base Assembly</b>

## Mechanical Specs



**13367 Full Spectrum Magnilite® Bulb**

**O.C. White Co.**  
**4226 Church St.**  
**Thorndike, MA**  
**01079**

**Contact Information**  
**Sales: 413-289-1751**  
**Tech: (888) OCWHITE**  
**Fax: 413-289-1754**  
**Email: info@ocwhite.com**

