

MAGNIFIQUE II

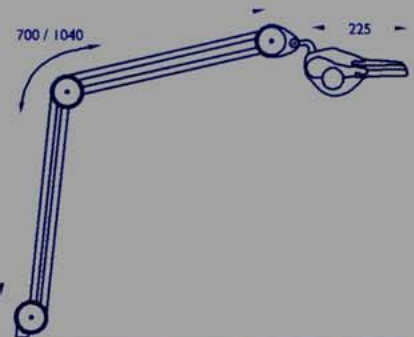
Designer: SUZANNE SCHURCH

MAGNIFIQUE provides wide viewing area combined with flicker-free illumination making it ideal for a large number of visually demanding tasks.

MAGNIFIQUE II Pro is supplied with a 3.5 diopter glass lens which gives 185% magnification. The standard MAGNIFIQUE II is supplied with a primary 3 diopter acrylic lens (175%) which may be changed if more magnification is required. The fitting has a fully enclosed spring balanced arm (either 700mm or 1040 mm) and is the first Luxo magnifier to have the added benefit of a high frequency ballast for true flicker-free operation. The luminaire is double insulated and is supplied complete with a BAH table bracket and an 11 watt energy saving lamp. Mounting options include wall mountings, surface and superglide trolley floor stand.

LUMINAIRE	COLOUR	LIGHT SOURCE	WATT
8312-111-1	Grey	FSD-11-E	1x11
8312-111-2	White	FSD-11-E	1x11

ACCESSORIES & ALTERNATIVES	DESIGNATION
Primary lens: 3 Diopter, magnification 200%	-3
Lens 6 Diopter, magnification 250%	-6
Table bracket	BAH
Wall mount	BH
Surface mount	C
Floorstand	TS
Dry wall partition mount	BP130SP
Grey finish	G



LIGHT SOURCE	POWER	ILCOS	HF-GEAR Socket	COL-REND.	LUM. FLUX
Compact fluor.	11W	FSD-11-E	2G7	Ra 82	900 lumen