





参考図：ご確認用。正式には別途納入仕様書をご請求願います。

APPLICABLE STANDARD					
RATING	OPERATING TEMPERATURE RANGE	-40 °C TO +125 °C	STORAGE TEMPERATURE RANGE	-10 °C TO +60 °C	
	VOLTAGE				
	CURRENT		APPLICABLE CABLE	φ 23±0.5	
SPECIFICATIONS					
ITEM	TEST METHOD	REQUIREMENTS	QT	AT	
CONSTRUCTION					
GENERAL EXAMINATION	VISUALLY AND BY MEASURING INSTRUMENT.	ACCORDING TO DRAWING.	X	X	
MARKING	CONFIRMED VISUALLY.		X	X	
ENVIRONMENTAL CHARACTERISTICS					
RAPID CHANGE OF TEMPERATURE	TEMPERATURE -55→ R/T ⁽¹⁾ → +125 → R/T °C TIME 30 → 2 TO 3 → 30 → 2 TO 3 min UNDER 5 CYCLES.	NO DAMAGE. CRACK AND LOOSENESS OF PARTS.	X	-	
DAMP HEAT (STEADY STATE)	EXPOSED AT 40 °C, 90 TO 95 %, 96 h.	NO DAMAGE. CRACK AND LOOSENESS OF PARTS.	X	-	
CORROSION SALT MIST	EXPOSED IN 5 % SALT WATER SPRAY FOR 48 h.	NO HEAVY CORROSION RUIN THE FUNCTION.	X	-	
SEALING ⁽²⁾	EXPOSED AT A DEPTH OF 1.8 m FOR 48 h.	NO WATER PENETRATION INSIDE CONNECTOR.	X	-	
AIRTIGHTNESS ⁽²⁾	APPLY AIR PRESSURE 17.6 kPa FOR 0.5min TO INSIDE CONNECTOR.	NO AIR BUBBLES INSIDE CONNECTOR.	X	-	
	COUNT	DESCRIPTION OF REVISIONS	DESIGNED	CHECKED	DATE
△					
REMARK			APPROVED	SU. OBARA	09.10.20
NOTES (1)R/T:ROOM TEMPERATURE			CHECKED	HY. KOBAYASHI	09.10.19
(2) SEALING AND AIRTIGHTNESS SHALL BE TESTED BY APPLICABLE CONNECTOR AND CABLE.			DESIGNED	HS. NAGANO	09.10.19
Unless otherwise specified, refer to JIS C 5402.			DRAWN	HS. NAGANO	09.10.19
Note QT:Qualification Test AT:Assurance Test X:Applicable Test			DRAWING NO.		ELC4-115589-00
HRS	SPECIFICATION SHEET		PART NO.	EM35WCC-23	
	HIROSE ELECTRIC CO., LTD.		CODE NO.	CL138-0007-0-00	△ 1/1

APPLICABLE STANDARD					
RATING	OPERATING TEMPERATURE RANGE	-40°C TO +125°C		STORAGE TEMPERATURE RANGE	-10°C TO +60°C
	VOLTAGE	AC 250 V , DC 250 V		—	—
	CURRENT	—		APPLICABLE CABLE	—
SPECIFICATIONS					
ITEM	TEST METHOD		REQUIREMENTS	QT	AT
CONSTRUCTION					
GENERAL EXAMINATION	VISUALLY AND BY MEASURING INSTRUMENT.		ACCORDING TO DRAWING.	X	X
MARKING	CONFIRMED VISUALLY.			X	X
ELECTRIC CHARACTERISTICS					
CONTACT RESISTANCE	CONTACT SHALL BE MEASURED AT —		— mΩ MAX.	—	—
INSULATION RESISTANCE	500 V DC.		5000 MΩ MIN.	X	X
VOLTAGE PROOF	2210 V AC. FOR 1 min.		NO FLASHOVER OR BREAKDOWN.	X	X
MECHANICAL CHARACTERISTICS					
CONTACT INSERTION AND WITHDRAWAL FORCES	———— BY STEEL GAUGE.		INSERTION AND WITHDRAWAL FORCES : — N MIN.	—	—
CONNECTOR INSERTION AND WITHDRAWAL FORCES	MEASURED BY APPLICABLE CONNECTOR.		INSERTION AND WITHDRAWAL FORCES :100 N MAX.	X	—
CONTACT RETENTION FORCE	PULL A TERMINAL BY 50N FROM TERMINAL AREA.		DO NOT MOVE THE TERMINAL.	X	—
MECHANICAL OPERATION	500 TIMES INSERTIONS AND EXTRACTIONS.		CONTACT RESISTANCE: — mΩ MAX.	—	—
VIBRATION	FREQUENCY: 10 → 55 → 10 (Hz) (1CYC,5min), SINGLE AMPLITUDE 0.75 mm, AT 10 CYC, FOR 3 DIRECTIONS.		① NO ELECTRICAL DISCONTINUITY OF 10 μs. ② NO DAMAGE, CRACK AND LOOSENESS, OF PARTS.	X	—
SHOCK	IN OPPOSITE DIRECTIONS OF EACH 3 DEMENSION AXIS FOR 3 TIMES AT 490 m/s ² DURATIONS OF PULSE 11 ms.		① NO ELECTRICAL DISCONTINUITY OF 10 μs. ② NO DAMAGE, CRACK AND LOOSENESS, OF PARTS.	X	—
ENVIRONMENTAL CHARACTERISTICS					
RAPID CHANGE OF TEMPERATURE	TEMPERATURE -55→ R/T ⁽¹⁾ → +125 → R/T °C TIME 30 → 2 TO 3 → 30 → 2 TO 3 min UNDER 5 CYCLES.		① INSULATION RESISTANCE: 5000 MΩ MIN. ② NO DAMAGE, CRACK AND LOOSENESS OF PARTS.	X	—
DAMP HEAT (STEADY STATE)	EXPOSED AT 40 °C, 90 TO 95 %, 96 h.		① INSULATION RESISTANCE: 50 MΩ MIN (AT HIGH HUMIDITY). ② INSULATION RESISTANCE: 500 MΩ MIN (AT DRY). ③ NO DAMAGE, CRACK AND LOOSENESS OF PARTS.	X	—
CORROSION SALT MIST	EXPOSED IN 5 % SALT WATER SPRAY FOR 48 h.		NO HEAVY CORROSION RUIN THE FUNCTION.	X	—
SEALING	EXPOSED AT A DEPTH OF 1.8 m FOR 48 h.		NO WATER PENETRATION INSIDE CONNECTOR.	X	—
AIR TIGHTNESS	APPLY AIR PRESSURE 17.6kPa FOR 0.5min TO INSIDE CONNECTOR.		NO AIR BUBBLES INSIDE CONNECTOR.	X	—
	COUNT	DESCRIPTION OF REVISIONS	DESIGNED	CHECKED	DATE
	0				
REMARK			APPROVED	SU. OBARA	09.10.05
NOTE(1) R/T : ROOM TEMPERATURE			CHECKED	HY. KOBAYASHI	09.10.05
(2) ABOVE SPECIFICATIONS SHOWS THE VALUES IN ASSEMBLED CONDITION WITH APPLICABLE CRIMP CONTACTS.			DESIGNED	HS. NAGANO	09.10.02
Unless otherwise specified, refer to JIS C 5402.			DRAWN	HS. NAGANO	09.10.02
Note QT:Qualification Test AT:Assurance Test X:Applicable Test			DRAWING NO.		ELC4-115596-00
	SPECIFICATION SHEET		PART NO.	EM35WBP-4SC	
	HIROSE ELECTRIC CO., LTD.		CODE NO.	CL138-0008-3-00	 1/1


参考図：ご確認用。正式には別途納入仕様書をご請求願います。

APPLICABLE STANDARD						
RATING	OPERATING TEMPERATURE RANGE	-40°C TO +125°C		STORAGE TEMPERATURE RANGE	-10°C TO +60°C	
	VOLTAGE	AC 250 V , DC 250 V		—	—	
	CURRENT	—		APPLICABLE CABLE	—	
SPECIFICATIONS						
ITEM	TEST METHOD			REQUIREMENTS	QT	AT
CONSTRUCTION						
GENERAL EXAMINATION	VISUALLY AND BY MEASURING INSTRUMENT.			ACCORDING TO DRAWING.	X	X
MARKING	CONFIRMED VISUALLY.				X	X
ELECTRIC CHARACTERISTICS						
CONTACT RESISTANCE	CONTACT SHALL BE MEASURED AT —			— mΩ MAX.	—	—
	BETWEEN GROUND CONTACT TO SHELL SHALL BE MEASURED AT DC 1A.			100 mΩ MAX.	X	X
INSULATION RESISTANCE	500 V DC.			5000 MΩ MIN.	X	X
VOLTAGE PROOF	2210 V AC. FOR 1 min.			NO FLASHOVER OR BREAKDOWN.	X	X
MECHANICAL CHARACTERISTICS						
CONTACT INSERTION AND WITHDRAWAL FORCES	————— BY STEEL GAUGE.			INSERTION AND WITHDRAWAL FORCES : — N MIN.	—	—
CONNECTOR INSERTION AND WITHDRAWAL FORCES	MEASURED BY APPLICABLE CONNECTOR.			INSERTION AND WITHDRAWAL FORCES :100 N MAX.	X	—
CONTACT RETENTION FORCE	PULL A TERMINAL BY 50N FROM TERMINAL AREA.			DO NOT MOVE THE TERMINAL.	X	—
MECHANICAL OPERATION	500 TIMES INSERTIONS AND EXTRACTIONS.			CONTACT RESISTANCE: — mΩ MAX.	—	—
				GROUND CONTACT TO SHELL RESISTANCE: 100 mΩ MAX.	X	—
VIBRATION	FREQUENCY: 10 → 55 → 10 (Hz) (1CYC, 5min), SINGLE AMPLITUDE 0.75 mm, AT 10 CYC, FOR 3 DIRECTIONS.			①NO ELECTRICAL DISCONTINUITY OF 10 μs. ②NO DAMAGE, CRACK AND LOOSENESS, OF PARTS.	X	—
SHOCK	IN OPPOSITE DIRECTIONS OF EACH 3 DEMENSION AXIS FOR 3 TIMES AT 490 m/s ² DURATIONS OF PULSE 11 ms.			① NO ELECTRICAL DISCONTINUITY OF 10 μs. ② NO DAMAGE, CRACK AND LOOSENESS, OF PARTS.	X	—
ENVIRONMENTAL CHARACTERISTICS						
RAPID CHANGE OF TEMPERATURE	TEMPERATURE -55→ R/T ⁽¹⁾ → +125 → R/T °C TIME 30 → 2 TO 3 → 30 → 2 TO 3 min UNDER 5 CYCLES.			① INSULATION RESISTANCE: 5000 MΩ MIN. . ② NO DAMAGE, CRACK AND LOOSENESS OF PARTS.	X	—
DAMP HEAT (STEADY STATE)	EXPOSED AT 40 °C, 90 TO 95 %, 96 h.			① INSULATION RESISTANCE: 50 MΩ MIN (AT HIGH HUMIDITY). ② INSULATION RESISTANCE: 500 MΩ MIN (AT DRY). ③ NO DAMAGE, CRACK AND LOOSENESS OF PARTS.	X	—
CORROSION SALT MIST	EXPOSED IN 5 % SALT WATER SPRAY FOR 48 h.			NO HEAVY CORROSION RUIN THE FUNCTION.	X	—
SEALING	EXPOSED AT A DEPTH OF 1.8 m FOR 48 h.			NO WATER PENETRATION INSIDE CONNECTOR.	X	—
AIR TIGHTNESS	APPLY AIR PRESSURE 17.6kPa FOR 0.5min TO INSIDE CONNECTOR.			NO AIR BUBBLES INSIDE CONNECTOR.	X	—
	COUNT	DESCRIPTION OF REVISIONS		DESIGNED	CHECKED	DATE
0						
REMARK				APPROVED	SU. OBARA	09.10.20
NOTES (1) R/T : ROOM TEMPERATURE				CHECKED	HY. KOBAYASHI	09.10.19
(2) ABOVE SPECIFICATIONS SHOWS THE VALUES IN ASSEMBLED CONDITION WITH APPLICABLE CRIMP CONTACTS.				DESIGNED	HS. NAGANO	09.10.19
Unless otherwise specified, refer to JIS C 5402.				DRAWN	HS. NAGANO	09.10.19
Note QT:Qualification Test AT:Assurance Test X:Applicable Test				DRAWING NO.		ELC4-115597-00
	SPECIFICATION SHEET			PART NO.	EM35WBR-4PC	
	HIROSE ELECTRIC CO., LTD.			CODE NO.	CL138-0009-6-00	

参考図：ご確認用。正式には別途納入仕様書をご請求願います。

2010/03/25 20:23:04 SRooper

FORM HD0011-2-1

APPLICABLE STANDARD					
RATING	OPERATING TEMPERATURE RANGE	-40°C TO +125°C		STORAGE TEMPERATURE RANGE	-10°C TO +60°C
	VOLTAGE	AC 250 V , DC 250 V		—	—
	CURRENT	—		APPLICABLE CABLE	—
SPECIFICATIONS					
ITEM	TEST METHOD		REQUIREMENTS	QT	AT
CONSTRUCTION					
GENERAL EXAMINATION	VISUALLY AND BY MEASURING INSTRUMENT.		ACCORDING TO DRAWING.	X	X
MARKING	CONFIRMED VISUALLY.			X	X
ELECTRIC CHARACTERISTICS					
CONTACT RESISTANCE	CONTACT SHALL BE MEASURED AT —		— mΩ MAX.	—	—
INSULATION RESISTANCE	500 V DC.		5000 MΩ MIN.	X	X
VOLTAGE PROOF	2210 V AC. FOR 1 min.		NO FLASHOVER OR BREAKDOWN.	X	X
MECHANICAL CHARACTERISTICS					
CONTACT INSERTION AND WITHDRAWAL FORCES	———— BY STEEL GAUGE.		INSERTION AND WITHDRAWAL FORCES : — N MIN.	—	—
CONNECTOR INSERTION AND WITHDRAWAL FORCES	MEASURED BY APPLICABLE CONNECTOR.		INSERTION AND WITHDRAWAL FORCES :100 N MAX.	X	—
CONTACT RETENTION FORCE	PULL A TERMINAL BY 50N FROM TERMINAL AREA.		DO NOT MOVE THE TERMINAL.	X	—
MECHANICAL OPERATION	500 TIMES INSERTIONS AND EXTRACTIONS.		CONTACT RESISTANCE: — mΩ MAX.	—	—
VIBRATION	FREQUENCY: 10 → 55 → 10 (Hz) (1CYC,5min), SINGLE AMPLITUDE 0.75 mm, AT 10 CYC, FOR 3 DIRECTIONS.		①NO ELECTRICAL DISCONTINUITY OF 10 μs. ②NO DAMAGE, CRACK AND LOOSENESS, OF PARTS.	X	—
SHOCK	IN OPPOSITE DIRECTIONS OF EACH 3 DEMENSION AXIS FOR 3 TIMES AT 490 m/s ² DURATIONS OF PULSE 11 ms.		① NO ELECTRICAL DISCONTINUITY OF 10 μs. ② NO DAMAGE, CRACK AND LOOSENESS, OF PARTS.	X	—
ENVIRONMENTAL CHARACTERISTICS					
RAPID CHANGE OF TEMPERATURE	TEMPERATURE -55→ R/T ⁽¹⁾ → +125 → R/T °C TIME 30 → 2 TO 3 → 30 → 2 TO 3 min UNDER 5 CYCLES.		① INSULATION RESISTANCE: 5000 MΩ MIN. . ② NO DAMAGE, CRACK AND LOOSENESS OF PARTS.	X	—
DAMP HEAT (STEADY STATE)	EXPOSED AT 40 °C, 90 TO 95 %, 96 h.		① INSULATION RESISTANCE: 50 MΩ MIN (AT HIGH HUMIDITY). ② INSULATION RESISTANCE: 500 MΩ MIN (AT DRY). ③ NO DAMAGE, CRACK AND LOOSENESS OF PARTS.	X	—
CORROSION SALT MIST	EXPOSED IN 5 % SALT WATER SPRAY FOR 48 h.		NO HEAVY CORROSION RUIN THE FUNCTION.	X	—
SEALING	EXPOSED AT A DEPTH OF 1.8 m FOR 48 h.		NO WATER PENETRATION INSIDE CONNECTOR.	X	—
AIR TIGHTNESS	APPLY AIR PRESSURE 17.6kPa FOR 0.5min TO INSIDE CONNECTOR.		NO AIR BUBBLES INSIDE CONNECTOR.	X	—
	COUNT	DESCRIPTION OF REVISIONS	DESIGNED	CHECKED	DATE
0					
REMARK			APPROVED	SU. OBARA	09.10.05
NOTE(1) R/T : ROOM TEMPERATURE			CHECKED	HY. KOBAYASHI	09.10.05
(2) ABOVE SPECIFICATIONS SHOWS THE VALUES IN ASSEMBLED CONDITION WITH APPLICABLE CRIMP CONTACTS.			DESIGNED	HS. NAGANO	09.10.02
Unless otherwise specified, refer to JIS C 5402.			DRAWN	HS. NAGANO	09.10.02
Note QT:Qualification Test AT:Assurance Test X:Applicable Test			DRAWING NO.		ELC4-115774-00
HRS	SPECIFICATION SHEET		PART NO.	EM35WBP-4PC	
	HIROSE ELECTRIC CO., LTD.		CODE NO.	CL138-0013-3-00	 1/1

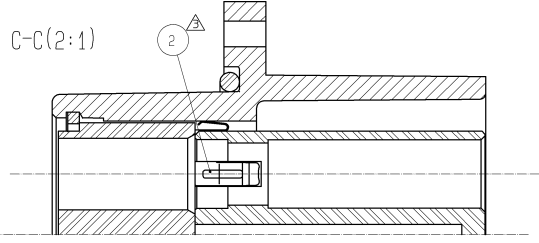
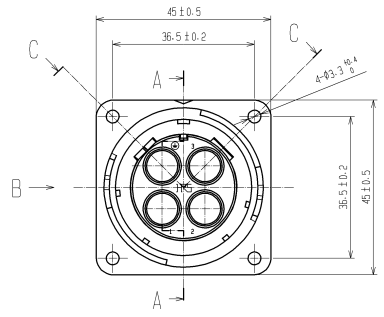
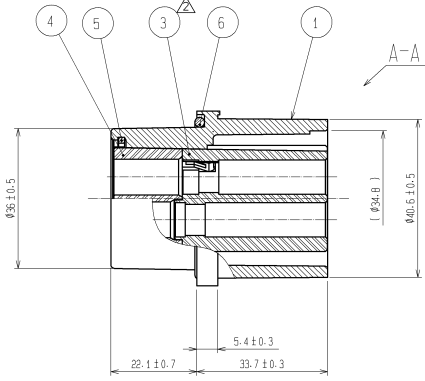
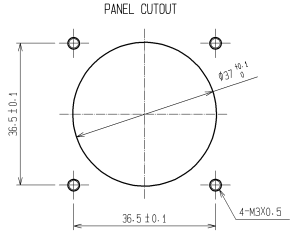
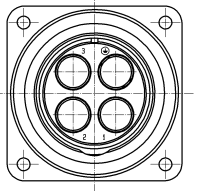
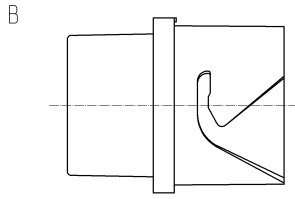
参考図：ご確認用。正式には別途納入仕様書をご請求願います。

APPLICABLE STANDARD						
RATING	OPERATING TEMPERATURE RANGE	-40°C TO +125°C		STORAGE TEMPERATURE RANGE	-10°C TO +60°C	
	VOLTAGE	AC 250 V , DC 250 V		—	—	
	CURRENT	—		APPLICABLE CABLE	—	
SPECIFICATIONS						
ITEM	TEST METHOD		REQUIREMENTS		QT	AT
CONSTRUCTION						
GENERAL EXAMINATION	VISUALLY AND BY MEASURING INSTRUMENT.		ACCORDING TO DRAWING.		X	X
MARKING	CONFIRMED VISUALLY.				X	X
ELECTRIC CHARACTERISTICS						
CONTACT RESISTANCE	CONTACT SHALL BE MEASURED AT —		— mΩ MAX.		—	—
	BETWEEN GROUND CONTACT TO SHELL SHALL BE MEASURED AT DC 1A.		100 mΩ MAX.		X	X
INSULATION RESISTANCE	500 V DC.		5000 MΩ MIN.		X	X
VOLTAGE PROOF	2210 V AC. FOR 1 min.		NO FLASHOVER OR BREAKDOWN.		X	X
MECHANICAL CHARACTERISTICS						
CONTACT INSERTION AND WITHDRAWAL FORCES	———— BY STEEL GAUGE.		INSERTION AND WITHDRAWAL FORCES : — N MIN.		—	—
CONNECTOR INSERTION AND WITHDRAWAL FORCES	MEASURED BY APPLICABLE CONNECTOR.		INSERTION AND WITHDRAWAL FORCES :100 N MAX.		X	—
CONTACT RETENTION FORCE	PULL A TERMINAL BY 50N FROM TERMINAL AREA.		DO NOT MOVE THE TERMINAL.		X	—
MECHANICAL OPERATION	500 TIMES INSERTIONS AND EXTRACTIONS.		CONTACT RESISTANCE: — mΩ MAX.		—	—
			GROUND CONTACT TO SHELL RESISTANCE: 100 mΩ MAX.		X	—
VIBRATION	FREQUENCY: 10 → 55 → 10 (Hz) (1CYC, 5min), SINGLE AMPLITUDE 0.75 mm, AT 10 CYC, FOR 3 DIRECTIONS.		① NO ELECTRICAL DISCONTINUITY OF 10 μs. ② NO DAMAGE, CRACK AND LOOSENESS, OF PARTS.		X	—
SHOCK	IN OPPOSITE DIRECTIONS OF EACH 3 DEMENSION AXIS FOR 3 TIMES AT 490 m/s ² DURATIONS OF PULSE 11 ms.		① NO ELECTRICAL DISCONTINUITY OF 10 μs. ② NO DAMAGE, CRACK AND LOOSENESS, OF PARTS.		X	—
ENVIRONMENTAL CHARACTERISTICS						
RAPID CHANGE OF TEMPERATURE	TEMPERATURE -55→ R/T ⁽¹⁾ → +125 → R/T °C TIME 30 → 2 TO 3 → 30 → 2 TO 3 min UNDER 5 CYCLES.		① INSULATION RESISTANCE: 5000 MΩ MIN. . ② NO DAMAGE, CRACK AND LOOSENESS OF PARTS.		X	—
DAMP HEAT (STEADY STATE)	EXPOSED AT 40 °C, 90 TO 95 %, 96 h.		① INSULATION RESISTANCE: 50 MΩ MIN (AT HIGH HUMIDITY). ② INSULATION RESISTANCE: 500 MΩ MIN (AT DRY). ③ NO DAMAGE, CRACK AND LOOSENESS OF PARTS.		X	—
CORROSION SALT MIST	EXPOSED IN 5 % SALT WATER SPRAY FOR 48 h.		NO HEAVY CORROSION RUIN THE FUNCTION.		X	—
SEALING	EXPOSED AT A DEPTH OF 1.8 m FOR 48 h.		NO WATER PENETRATION INSIDE CONNECTOR.		X	—
AIR TIGHTNESS	APPLY AIR PRESSURE 17.6kPa FOR 0.5min TO INSIDE CONNECTOR.		NO AIR BUBBLES INSIDE CONNECTOR.		X	—
	COUNT	DESCRIPTION OF REVISIONS	DESIGNED	CHECKED	DATE	
①						
REMARK				APPROVED	SU. OBARA	09.10.20
NOTES (1) R/T : ROOM TEMPERATURE				CHECKED	HY. KOBAYASHI	09.10.19
(2) ABOVE SPECIFICATIONS SHOWS THE VALUES IN ASSEMBLED CONDITION WITH APPLICABLE CRIMP CONTACTS.				DESIGNED	HS. NAGANO	09.10.19
Unless otherwise specified, refer to JIS C 5402.				DRAWN	HS. NAGANO	09.10.19
Note QT:Qualification Test AT:Assurance Test X:Applicable Test			DRAWING NO.		ELC4-115775-00	
HRS	SPECIFICATION SHEET		PART NO.	EM35WBR-4SC		
	HIROSE ELECTRIC CO., LTD.		CODE NO.	CL138-0014-6-00		△

参考図：ご確認用。正式には別途納入仕様書をご請求願います。

2010/03/25 20:23:05 SRooper

FORM HD0011-2-1

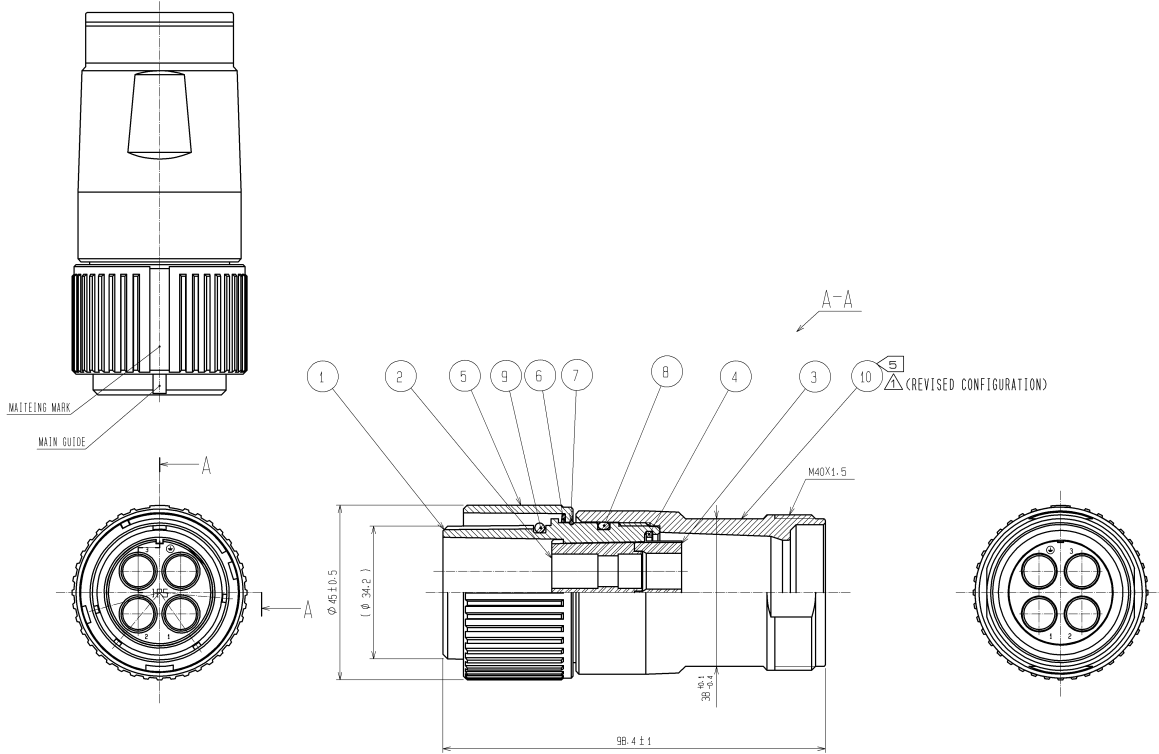


- NOTES:
 1 APPLICABLE CRIMPING CONTACT: EM-SC-133 (CL138-0018-7)
 2 APPLICABLE CRIMP CONTACT EXTRACTION TOOL: EM-8-TP (CL150-0249-3)
 3 THE ASSEMBLY OF THIS PRODUCT APPLIES TO THE MANUAL ATAD-C0155.
 4 CHECK REF. NO. ① IS PROPERLY SET AT THE GROOVE OF REF. NO. ②.
 WHILE MOUNTING THE CONNECTOR, MAKE SURE THAT REF. NO. ② IS NOT CAUGHT.

3	PBT	(BLACK) UL94V-0	6	SILICONE RUBBER	(RED)
2	COPPER ALLOY	TIN PLATING	5	STAINLESS STEEL	
1	ALUMINUM ALLOY	NICKEL PLATING	4	PBT	(BLACK) UL94V-0

NO.	MATERIAL	FINISH	REMARKS	NO.	MATERIAL	FINISH	REMARKS
1	ALUMINUM ALLOY	NICKEL PLATING		4	PBT	(BLACK) UL94V-0	

UNITS	mm	SCALE	1 : 1	COUNT	1	DESCRIPTION OF REVISIONS	DIS-C-001430	DESIGNED	HS. NAGANO	CHECKED	HY. KOBAYASHI	DATE	09.10.05
HIROSE ELECTRIC CO., LTD.		APPROVED	MO. SATOH	07.11.16	DRAWING NO.	EDC3-115775-00		CHECKED	EJ. KUNII	07.11.16	PART NO.	EM35WBR-4SC	
		DESIGNED	HS. NAGANO	07.11.15	CODE NO.	CL138-0014-6-00		DRAWN	HS. NAGANO	07.11.15			



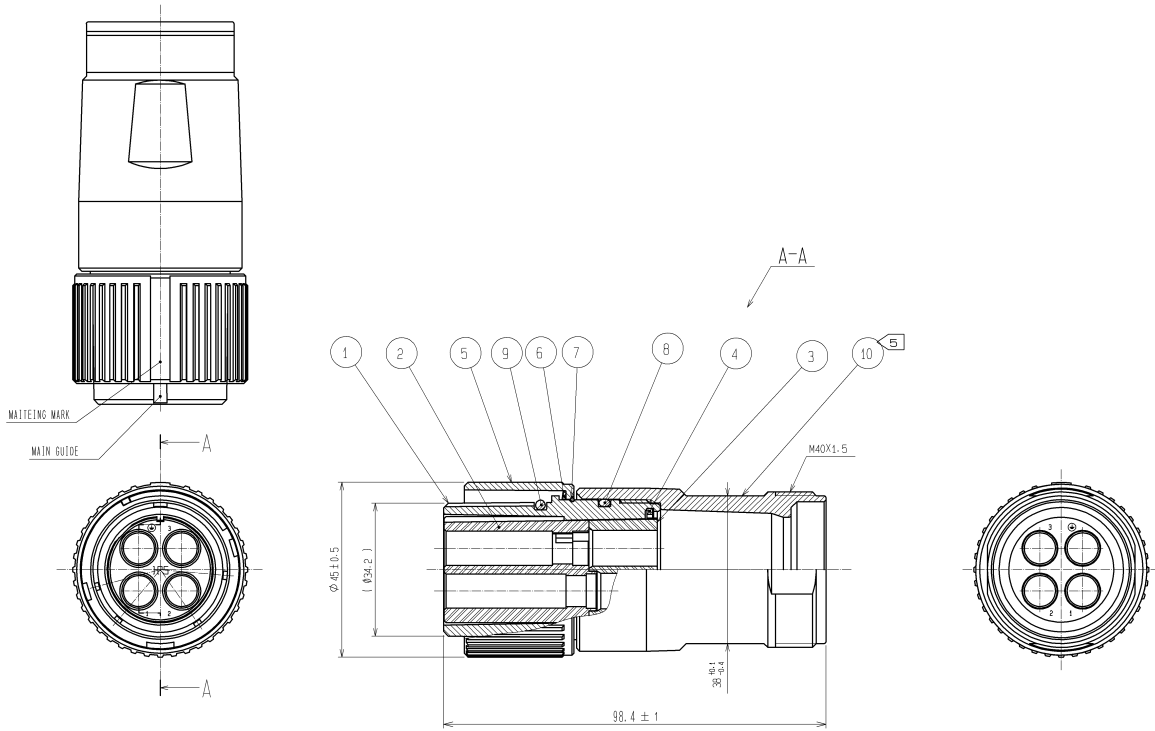
- NOTES
- 1 APPLICABLE CRIMPING CONTACT:EM-PC-133(CL138-0019-0)
 - 2 APPLICABLE CRIMP CONTACT EXTRACTION TOOL:EM-8-TP(CL150-0249-3)
 - 3 APPLICABLE CABLE CLAMP:EM35WCC-※
※SHOWS THE APPLICABLE CABLE DIAMETER.
 - 4 THE ASSEMBLY OF THIS PRODUCT APPLIES TO THE MANUAL ATAD-C0155.
 - 5 THE RECOMMENDED TIGHTENING TORQUE, ADHESIVE FOR SCREW PORTION OF REF NO. 10 AS FOLLOWS.
THE ADHESIVE SHOULD BE ATTACHED ON THE SCREW PORTION OF REF NO. 10.
TIGHTENING TORQUE: 6 TO 7 N·m.
ADHESIVE: LOCTITE 242 MADE BY HENKEL JAPAN LTD.
 - 6 ROTATION EXAMPLES ARE SHOWN FOR REF. NO. 10, 11, AND 12.

NO.	MATERIAL	FINISH	REMARKS	NO.	MATERIAL	FINISH	REMARKS
5	ALUMINUM ALLOY	NICKEL PLATING		10	ALUMINUM ALLOY	NICKEL PLATING	
4	STAINLESS STEEL			9	SILICONE RUBBER	(RED)	
3	PBT	(BLACK) UL94V-0		8	SILICONE RUBBER	(RED)	
2	PBT	(BLACK) UL94V-0		7	STAINLESS STEEL		
1	ALUMINUM ALLOY	NICKEL PLATING		6	STAINLESS STEEL		

UNITS	SCALE	COUNT	DESCRIPTION OF REVISIONS	DESIGNED	CHECKED	DATE
mm	1 : 1	1	DIS-C-001430	HS. NAGANO	HY. KOBAYASHI	09.10.05

APPROVED	CHECKED	DESIGNED	DRAWN	DATE	DRAWING NO.	PART NO.	CODE NO.
M. SATOH	E.J. KUNII	HS. NAGANO	HS. NAGANO	07.11.16	EDC3-11574-00	EM35WBP-4PC	CL138-0013-3-00



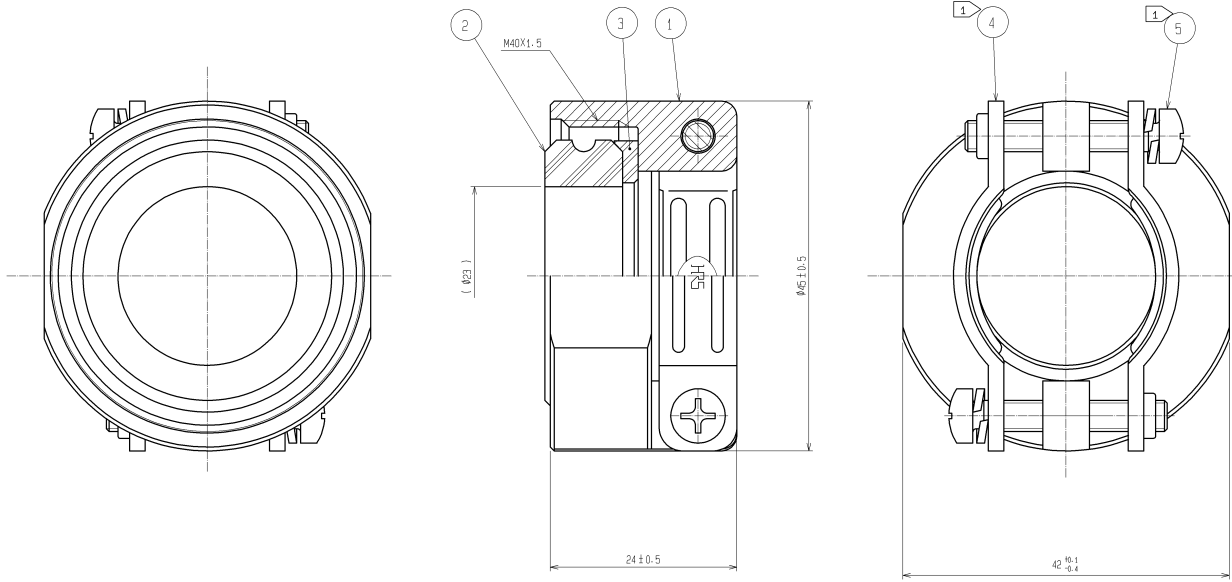


- △NOTES
- 1 APPLICABLE CRIMPING CONTACT:EM-SC-133(CL138-0018-7)
 - 2 APPLICABLE CRIMP CONTACT EXTRACTION TOOL:EM-8-TP(CL150-0249-3)
 - 3 APPLICABLE CABLE CLAMP:EM35WC-※
※SHOWS THE APPLICABLE CABLE DIAMETER.
 - 4 THE ASSEMBLY OF THIS PRODUCT APPLIES TO THE MANUAL ATAD-C0155.
 - 5 THE RECOMMENDED TIGHTENING TORQUE, ADHESIVE FOR SCREW PORTION OF REF NO.0 AS FOLLOWINGS.
THE ADHESIVE SHOULD BE ATTACHED ON THE SCREW PORTION OF REF NO.0
TIGHTENING TORQUE: 6 TO 7 N·m.
ADHESIVE: LOCTITE 242 MADE BY HENKEL JAPAN LTD.
 - 6 ROTATION EXAMPLES ARE SHOWN FOR REF. NO. 0, 0, AND 0.

NO.	MATERIAL	FINISH	REMARKS	NO.	MATERIAL	FINISH	REMARKS
5	ALUMINUM ALLOY	NICKEL PLATING		10	ALUMINUM ALLOY	NICKEL PLATING	
4	STAINLESS STEEL			9	SILICONE RUBBER	(RED)	
3	PBT	(BLACK) UL94V-0		8	SILICONE RUBBER	(RED)	
2	PBT	(BLACK) UL94V-0		7	STAINLESS STEEL		
1	ALUMINUM ALLOY	NICKEL PLATING		6	STAINLESS STEEL		

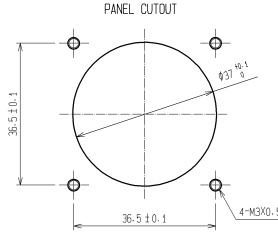
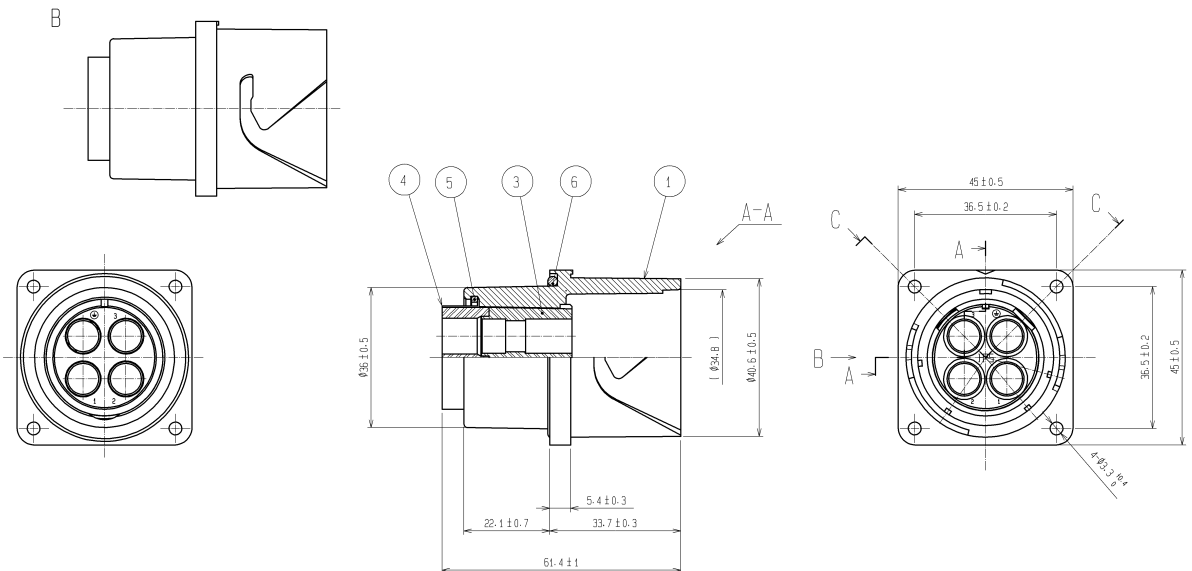
UNITS	SCALE	COUNT	DESCRIPTION OF REVISIONS	DESIGNED	CHECKED	DATE
mm	1 : 1	1	DIS-C-001463	HS. NAGANO	HY. KOBAYASHI	09.10.30

APPROVED	CHECKED	DESIGNED	DRAWN	DRAWING NO.	PART NO.	CODE NO.
SU. OBARA	HY. KOBAYASHI	HS. NAGANO	HS. NAGANO	EDC3-115596-00	EM35WP-4SC	CL138-0008-3-00



- NOTES
- 1 THE RECOMMENDED TIGHTENING TORQUE REF NO. ①: 6 TO 7 N · m.
THE RECOMMENDED TIGHTENING TORQUE REF NO. ②: 1.2 TO 1.5 N · m.
THE RECOMMENDED ADHESIVE OF REF NO. ③: LOCTITE 242 BY HENKEL JAPAN LTD.
 - 2 WATER RESISTANCE, CABLE CLAMP FORCE, CABLE RETENTION FORCE IN AXIAL DIRECTION AND OTHER CHARACTERISTICS COULD VARY DEPENDING ON EACH CABLE CONSTRUCTION. CONFIRMATION IS REQUIRED PRIOR TO USE.
 - 3 THIS PRODUCT IS DELIVERED DISASSEMBLED.

3	POLYACETAL	(WHITE)						
2	SILICONE RUBBER	(BLACK)		5	STAINLESS STEEL			
1	ALUMINUM ALLOY	NIKEL PLATING		4	STAINLESS STEEL			
NO.	MATERIAL	FINISH	REMARKS	NO.	MATERIAL	FINISH	REMARKS	
UNITS	mm	SCALE	2 : 1	COUNT	DESCRIPTION OF REVISIONS	DESIGNED	CHECKED	DATE
HRS HIROSE ELECTRIC CO., LTD.		APPROVED	SU. OBARA	09.10.20	DRAWING NO.	EDC3-115589-00		
		CHECKED	HY. KOBAYASHI	09.10.19	PART NO.	EM35WCC-23		
		DESIGNED	HS. NAGANO	09.10.19	CODE NO.	CL138-0007-0-00		
		DRAWN	HS. NAGANO	09.10.19				



- NOTES
- 1 APPLICABLE CRIMPING CONTACT:EM-PC-133(CL138-0019-0)
 - 2 APPLICABLE CRIMP CONTACT EXTRACTION TOOL:EM-8-TP(CL150-0249-3)
 - 3 THE ASSEMBLY OF THIS PRODUCT APPLIES TO THE MANUAL ATAD-C0155.
 - 4 CHECK REF NO.⓪ IS PROPERLY SET AT THE GROOVE OF REF.NO.⓪. WHILE MOUNTING THE CONNECTOR,MAKE SURE THAT REF NO.⓪ IS NOT CAUGHT.

3	PBT	(BLACK) UL94V-0	6	SILICONE RUBBER	(RED)			
2	COPPER ALLOY	TIN PLATING	5	STAINLESS STEEL				
1	ALUMINUM ALLOY	NICKEL PLATING	4	PBT	(BLACK) UL94V-0			
NO.	MATERIAL	FINISH	REMARKS	NO.	MATERIAL	FINISH	REMARKS	
UNITS	mm	SCALE	1 : 1	COUNT	DESCRIPTION OF REVISIONS	DESIGNED	CHECKED	DATE
HRS HIROSE ELECTRIC CO., LTD.		APPROVED	SU. OBARA	09.10.20	DRAWING NO.	EDC3-115597-00		
		CHECKED	HY. KOBAYASHI	09.10.19	PART NO.	EM35WBR-4PC		
		DESIGNED	HS. NAGANO	09.10.19	CODE NO.	CL138-0009-6-00		
		DRAWN	HS. NAGANO	09.10.19				