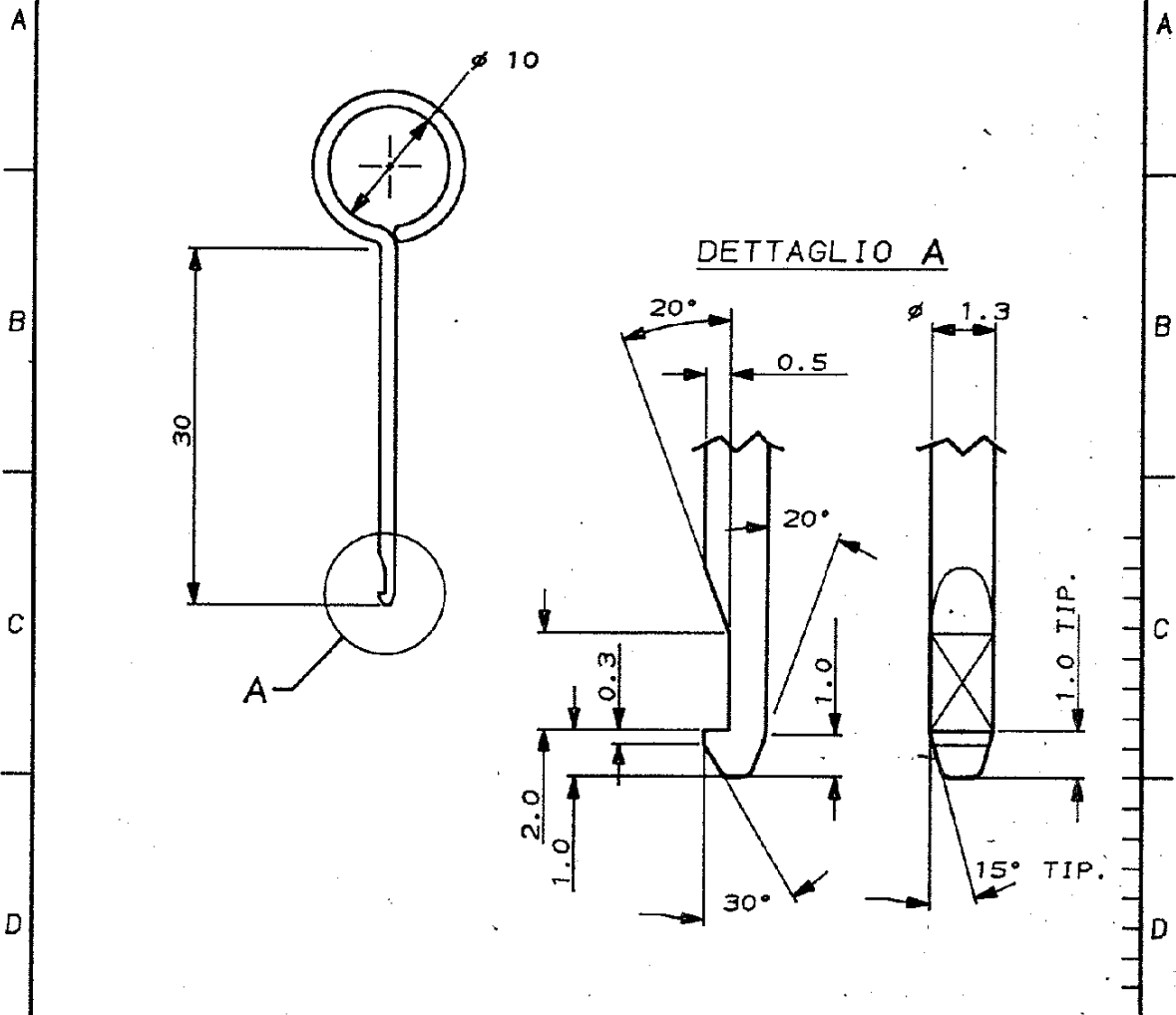


SCALA NON IMPERATIVA
(DO NOT SCALE)
DIMENSIONI IN mm
DIMENSIONS IN mm

METRIC

PROIEZIONE EUROPEA
EUROPEAN PROJECTION



	ACCIAIO	785084-1
FINITURA / COLORE (FINISH / COLOUR)	MATERIALE (MATERIAL)	NUMERO (PART NUMBER)
CUSTOMER DWG. FOR REFERENCE ONLY	DISEGNO PER CLIENTE SOLO PER RIFERIMENTO	
THIS DRAWING IS UNPUBLISHED	RELEASE FOR PUBLICATION	1991
© COPYRIGHT 1991 BY AMP INCORPORATED, HARRISBURG, PA. ALL INTERNATIONAL RIGHTS RESERVED. AMP PRODUCTS MAY BE COVERED BY U.S. AND FOREIGN PATENT AND/OR PATENT PENDING.		
TOLLERANZE, SE NON DIVERSAMENTE SPECIFICATO TOLERANCES, UNLESS OTHERWISE SPECIFIED	DIAM. ISOLANTE (INS. DIA. RANDED)	RANGO FILE (WIRE RANDED)
± 0.3	-	-
ANGOLI (ANGLES)	SCALA (SCALE)	
± 2°	2:1	
DIS. BASSANO (DR.) 27 MAR. 91	AMP ITALIA S.p.A. Corso P.lli Garvi, 15 COLLENO (TORINO)	
CONT. --- (CNS)	DESCRIZIONE (DESCRIPTION) ESTRATTORE PER SECONDARY LOCK	
APP. --- (APP.)	AMP SUPERSEAL 1.5 SRS MALE CONN.	
REV. --- (REV.)	LOG. SIZE NUMERO (CNS NO)	REV. --- (REV.)
REVISIONI (REVISION RECORD)	I A4 C-785084 0	FOLIO (SHEET) DI (COP)

DISTRIBUZIONE
(PRINT DIST.)