



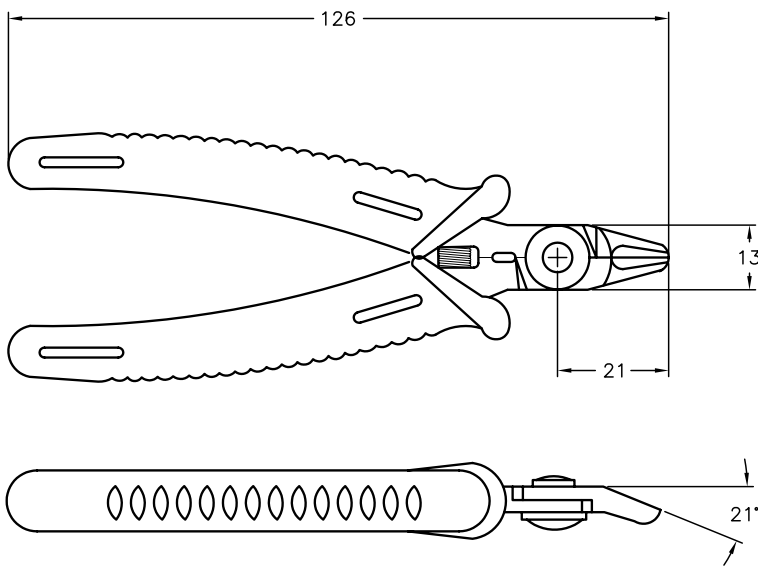
ALL RIGHTS RESERVED. NO PORTION OF THIS PUBLICATION, WHETHER IN WHOLE OR IN PART, CAN BE REPRODUCED WITHOUT THE EXPRESS WRITTEN CONSENT OF SPC TECHNOLOGY.

SPC-F005.DWG

REVISIONS

DOC. NO. SPC-F005 * Effective: 7/8/02 * DCP No: 1398

DCP #	REV	DESCRIPTION	DRAWN	DATE	CHECKD	DATE	APPRVD	DATE
145	A	RELEASED	JWM	3/9/98	JC	3/12/98	BB	3/19/98
1275	B	Description Corrected	JWM	6/2/04	JC	6/2/04	JC	6/2/04



Features:

- Cuts steel wire up to 0.5mm dia. (24 AWG)
- Cuts copper wire up to 10 AWG
- ESD Safe Handles
- Made from heat-treated, carbon alloy steel
- Return spring provides smooth cutting action
- 5mm cutting blades

WARNING!

The cushion grips on handles are provided for comfort. They are NOT intended to give any degree of protection against electric shock and tool should NOT be used on live electric circuits.

DISCLAIMER:
ALL STATEMENTS AND TECHNICAL INFORMATION CONTAINED HEREIN ARE BASED UPON INFORMATION AND/OR TESTS WE BELIEVE TO BE ACCURATE AND RELIABLE. SINCE CONDITIONS OF USE ARE BEYOND OUR CONTROL, THE USER SHALL DETERMINE THE SUITABILITY OF THE PRODUCT FOR THE INTENDED USE AND ASSUME ALL RISK AND LIABILITY WHATSOEVER IN CONNECTION THEREWITH.

TOLERANCES:

UNLESS OTHERWISE SPECIFIED, DIMENSIONS ARE FOR REFERENCE PURPOSES ONLY.

DRAWN BY:	DATE:
Jeff Mcvicker	3/9/98
CHECKED BY:	DATE:
JOHN COLE	3/12/98
APPROVED BY:	DATE:
Brett Braatz	3/19/98

DRAWING TITLE:

Flush Cutter

SIZE	DWG. NO.	ELECTRONIC FILE	REV
A	1374	92N3655.dwg	B
SCALE: NTS	U.O.M.: Millimeters	SHEET: 1 OF 1	