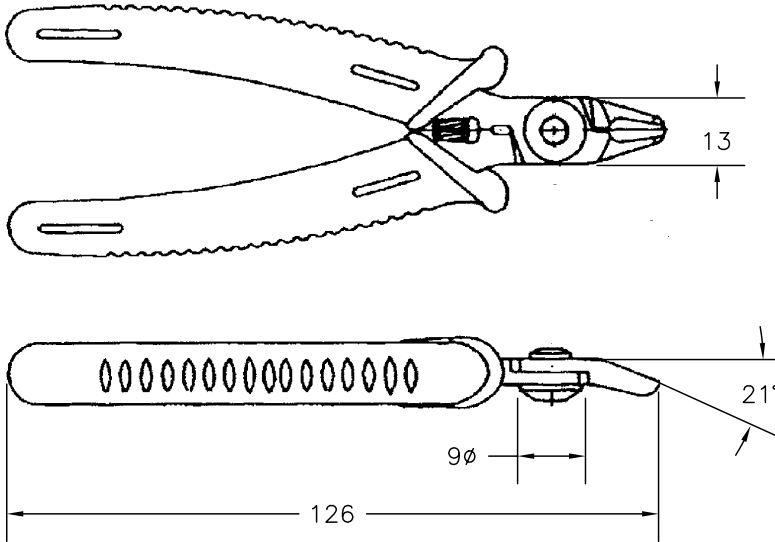


© COPYRIGHT 1998 BY SPC TECHNOLOGY. ALL RIGHTS RESERVED. NO PORTION OF THIS PUBLICATION, WHETHER IN WHOLE OR IN PART CAN BE REPRODUCED WITHOUT THE EXPRESS WRITTEN CONSENT OF SPC TECHNOLOGY.

REVISIONS			DOC. NO. SPC-F005, Total Pages: 2 Effective: 7/15/97. DCP No: 229 Supersedes DCP No: 103					
DCP #	REV	DESCRIPTION	DRAWN	DATE	CHECKD	DATE	APPRVD	DATE
145	A	RELEASED	J.W.M.	3/9/98	J.C.	3/12/98	B.B.	3/19/98



Notes:  
Cutting Capacity 1.3mm  
(16AWG) Copper Wire

**DISCLAIMER:**  
ALL STATEMENTS AND TECHNICAL INFORMATION CONTAINED HEREIN ARE BASED UPON INFORMATION AND/OR TESTS WE BELIEVE TO BE ACCURATE AND RELIABLE. SINCE CONDITIONS OF USE ARE BEYOND OUR CONTROL, THE USER SHALL DETERMINE THE SUITABILITY OF THE PRODUCT FOR THE INTENDED USE AND ASSUME ALL RISK AND LIABILITY WHATSOEVER IN CONNECTION THEREWITH.

*Unless Otherwise Specified  
Dimensions are shown for  
reference only!*

DRAWN BY:	DATE:
Jeff Mcvicker	3/9/98
CHECKED BY:	DATE:
JOHN COLE	3/12/98
APPROVED BY:	DATE:
BRETT BRAATZ	3/19/98



SPC TECHNOLOGY

DRAWING TITLE: Full-Flush Cutter w/Relieved Edges			
SIZE	DWG. NO.	ELECTRONIC FILE	REV
A	1373	92N3654.dwg	A
SCALE:	NTS	U.O.M.: Millimeters	SHEET: 1 OF 1