

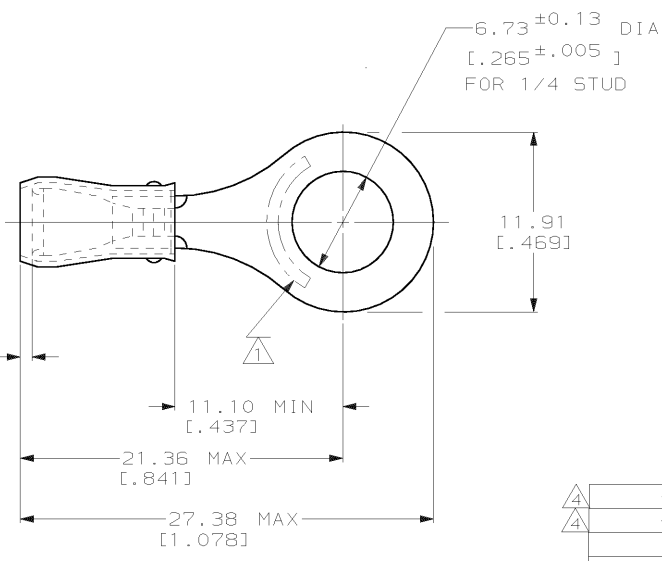
DRAWING MADE IN THIRD ANGLE PROJECTION

THIS DRAWING IS UNPUBLISHED. RELEASED FOR PUBLICATION .19

© COPYRIGHT 19 BY AMP INCORPORATED. ALL INTERNATIONAL RIGHTS RESERVED.

LOC	DIST	P	F	ZONE	LTR	REVISIONS	DATE	APPD
G	14				V	REV PER 0G3A-0246-01	26 JUL 01	YR TH

AMP WIRE RANGE	UL Listed	CSA LR7189 Certified
22-16 AWG SOLID OR STRANDED	22-16 AWG SOLID OR STRANDED	22-16 AWG SOLID OR STRANDED



- 1 STAMP AMP 22-18* APPROX AS SHOWN
22-16 TERMINALS ARE STAMPED 22-18 IN
ACCORDANCE WITH MILITARY SPEC MIL-T-7928
COMMERCIAL WIRE RANGE IS 22-16
- 2 WIRE INSUL DIA, 2.67-3.56 [0.105-.140]
- 3 TONGUE MATERIAL THK, 0.79±0.05 [0.031±.002]
- 4 SUPERSEDED BY 8-31894-5

MILITARY P/N AND CLASS	QUANTITY	PACKAGE TYPE	PART NO
-	25	LOOSE PIECE, BLS	9-31894-4
-	5	LOOSE PIECE, BLS	8-31894-4
-	100	LOOSE PIECE, SPECIAL BOX	8-31894-5
-	100	LOOSE PIECE, BOX	8-31894-1
MS 25036-150 CLASS 2	5000	ON TAPE, REEL	2-31894-2
MS 25036-150 CLASS 1 & 2	1000	LOOSE PIECE	31894

**AMP INCORPORATED
CUSTOMER SERVICE SYSTEMS**

FOR ADDITIONAL PRODUCT INFORMATION OR COPIES OF DRAWINGS AND TECHNICAL DOCUMENTS: PRODUCT INFORMATION CENTER 1-800-522-6752

FOR APPLICATION TOOLING ASSISTANCE CENTER: TOOLING INFORMATION 1-800-722-1111

FOR ORDER ENTRY: 1-800-526-5142

MAX RECOMMENDED OPERATING TEMPERATURE: 105°C [221°F]

VOLTAGE RATING: 300 V MAX

WIRE CROSS SECTIONAL AREA RANGE: 0.26-1.65mm² [509-3,260] CIR MILS

THIS DRAWING IS A CONTROLLED DOCUMENT FOR AMP INCORPORATED. IT IS SUBJECT TO CHANGE AND THE CONTROLLING ENGINEERING ORGANIZATION SHOULD BE CONTACTED FOR THE LATEST REVISION.

DO NOT SCALE PRINT. UNLESS SPECIFIED DIMENSIONS IN MM [INCHES] TOLERANCES ON: 1. PLC DEC ± 0.20L.0081 2. PLC DEC ± - ANGLES ± -

MATERIAL: COPPER PER ASTM B-152 SLEEVE, RED NYLON

FINISH: TIN PLATE PER ASTM B 545

DR 02/11/93 DK SCHIRM
CHK 4/28/93 RE HERSEY
APPD 4/28/93 WL ELLIS
M BARNABA
PRODUCT SPEC UL 486A
APPLICATION SPEC NOT AVAILABLE
WEIGHT -

AMP AMP Incorporated Harrisburg, PA 17105-3608

NAME: TERMINAL, RING TONGUE, PIDG™, WIRE SIZE: 22-16 AWG

SIZE: B CAGE CODE: 00779 DRAWING NO: C=31894

SCALE: 4:1 SHEET: 1 OF 1