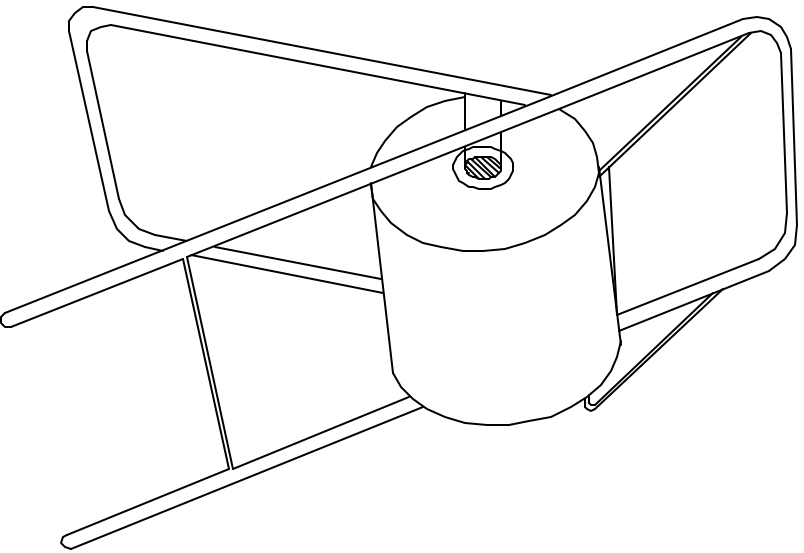


ALL RIGHTS RESERVED. NO PORTION OF THIS PUBLICATION, WHETHER IN WHOLE OR IN PART CAN BE REPRODUCED WITHOUT THE EXPRESS WRITTEN CONSENT OF OSPC TECHNOLOGY.

SPC-F005.DWG

REVISONS		DWC NO. SPC-F005		* Effective 7/8/08		* DCP No. 1398		
DCP #	REV	DESCRIPTION	DRAWN	DATE	CHECKD	DATE	APPRVD	DATE
XX	XX	XXXX	XXXX	06-10-08	XXXX	06-10-08	XXXX	06-10-08
XXXX	XXXX		XXXX	06-10-08	XXXX	06-10-08	XXXX	06-10-08



- Combines utility with economy
- Convenient and handy
- Tear and use feature allows workers to take what is required

Product Code	Size (mm)
DYC100-03-202715	31.5CM X 600M



**TOLERANCES:**

UNLESS OTHERWISE SPECIFIED, DIMENSIONS ARE FOR REFERENCE PURPOSES ONLY.

**DISCLAIMER:**  
ALL STATEMENTS AND TECHNICAL INFORMATION CONTAINED HEREIN ARE BASED UPON INFORMATION AND/OR TESTS WE BELIEVE TO BE ACCURATE AND RELIABLE. SINCE CONDITIONS OF USE ARE BEYOND OUR CONTROL, THE USER SHALL DETERMINE THE SUITABILITY OF THE PRODUCT FOR THE INTENDED USE AND ASSUME ALL RISK AND LIABILITY WHATSOEVER IN CONNECTION THEREWITH.

DRAWN BY:	DATE:
XXXX	06-10-08
CHECKED BY:	DATE:
XXXX	06-10-08
APPROVED BY:	DATE:
XXXX	06-10-08

DRAWING TITLE:		DWC NO. SPC-F005		* Effective 7/8/08		* DCP No. 1398	
Industrial Towel Roll		DRAWN	DATE	CHECKD	DATE	APPRVD	DATE
SIZE	DWG. NO.	XXXX	06-10-08	XXXX	06-10-08	XXXX	06-10-08
A	DYC100-03-202715	DATE	DATE	DATE	DATE	DATE	DATE
SCALE:	NTS	U.D.M.	INCHES [MM]	SHEET:	1	OF	1
ELECTRONIC FILE		01P0785		REV		XX	