

General Specifications

Motor Protection:

Auto Restart/Polarity Protection

Insulation Resistance:

10M Ω or over with a DC500V Megger

Dielectric Withstand Voltage: AC 700V 1s

Allowable Ambient Temperature Range:

-10°C ~ +70°C (Operating)

-40°C ~ +70°C (Storage)

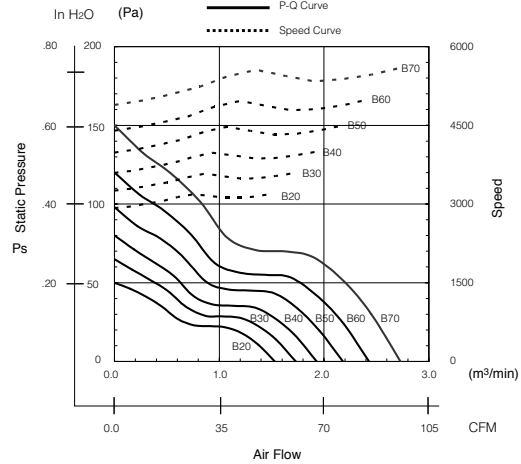
(non-condensing environment)

Expected Life

Failure Rate: 10%

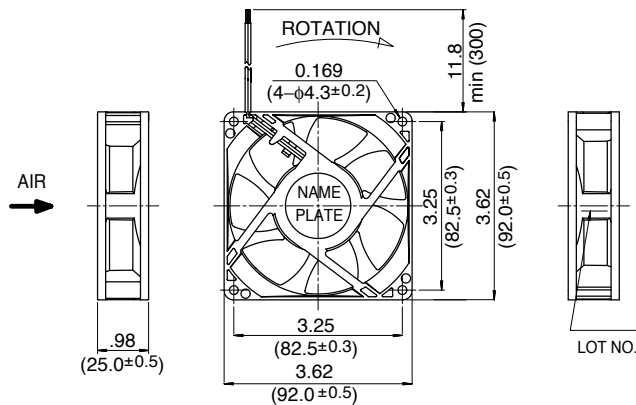
25°C 100,000 Hours (B00/E00)

Characteristic Curves

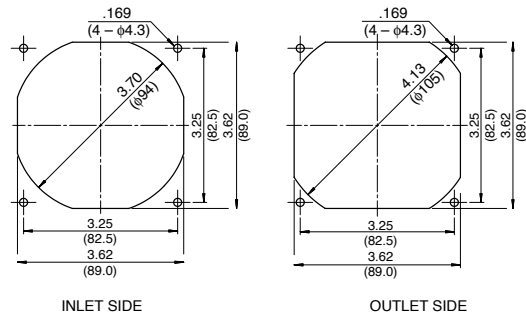


Outline

Units: $\frac{\text{inch}}{\text{mm}}$



Panel Cut-outs



Material

Casing : Plastic (Black) 94V-0

Impeller : Plastic (Black) 94V-0

Bearing : Ball Bearing

Lead Wire: UL3385, AWG26, +Red, -Black

Specifications

| MODEL | Product No. | Rated Voltage | Operating Voltage | Current | Input Power | Speed | Max. Air Flow | | Max. Static Pressure | | Noise | Mass |
|-----------------|-------------|---------------|-------------------|-------------------|-------------------|------------------------------------|-------------------|-------------------------------------|----------------------|--------------------|--------------------|------|
| | | (V) | (V) | (A) ^{*1} | (W) ^{*1} | (min ⁻¹) ^{*1} | CFM ^{*1} | (m ³ /min) ^{*1} | in H ₂ O | (Pa) ^{*1} | (dB) ^{*1} | (g) |
| 3610VL-04W-B20- | B/EXX | 12 | 7.0 ~ 13.8 | 0.18 | 2.16 | 3200 | 54.0 | 1.53 | .20 | 50 | 35.5 | 135 |
| 3610VL-04W-B30- | B/EXX | 12 | 7.0 ~ 13.8 | 0.24 | 2.88 | 3600 | 61.1 | 1.73 | .26 | 65 | 38.5 | 135 |
| 3610VL-04W-B40- | B/EXX | 12 | 7.0 ~ 13.8 | 0.30 | 3.60 | 4000 | 68.1 | 1.93 | .32 | 80 | 42.0 | 135 |
| 3610VL-04W-B50- | B/EXX | 12 | 7.0 ~ 13.8 | 0.40 | 4.80 | 4500 | 77.0 | 2.18 | .39 | 98 | 45.0 | 135 |
| 3610VL-04W-B60- | B/EXX | 12 | 7.0 ~ 13.8 | 0.52 | 6.24 | 5000 | 85.8 | 2.43 | .48 | 120 | 48.0 | 135 |
| 3610VL-04W-B70- | B/EXX | 12 | 7.0 ~ 13.8 | 0.72 | 8.64 | 5600 | 96.4 | 2.73 | .60 | 150 | 51.0 | 135 |
| 3610VL-05W-B20- | B/EXX | 24 | 14.0 ~ 27.6 | 0.11 | 2.64 | 3200 | 54.0 | 1.53 | .20 | 50 | 35.5 | 135 |
| 3610VL-05W-B30- | B/EXX | 24 | 14.0 ~ 27.6 | 0.14 | 3.36 | 3600 | 61.1 | 1.73 | .26 | 65 | 38.5 | 135 |
| 3610VL-05W-B40- | B/EXX | 24 | 14.0 ~ 27.6 | 0.17 | 4.08 | 4000 | 68.1 | 1.93 | .32 | 80 | 42.0 | 135 |
| 3610VL-05W-B50- | B/EXX | 24 | 14.0 ~ 27.6 | 0.22 | 5.28 | 4500 | 77.0 | 2.18 | .39 | 98 | 45.0 | 135 |
| 3610VL-05W-B60- | B/EXX | 24 | 14.0 ~ 27.6 | 0.28 | 6.72 | 5000 | 85.8 | 2.43 | .48 | 120 | 48.0 | 135 |
| 3610VL-05W-B70- | B/EXX | 24 | 14.0 ~ 27.6 | 0.38 | 9.12 | 5600 | 96.4 | 2.73 | .60 | 150 | 51.0 | 135 |

Rotation: Clockwise

Airflow Outlet: Air Out Over Struts

*1: Average Values in Free Air

