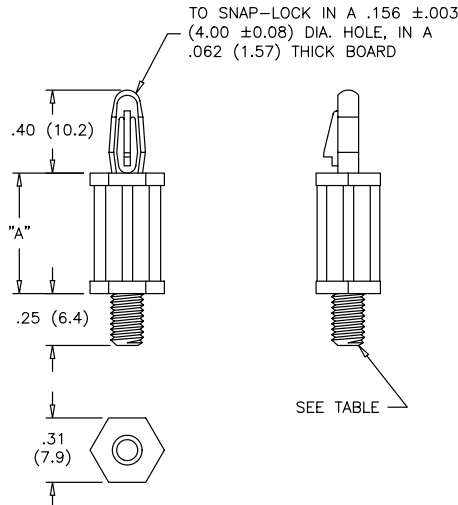
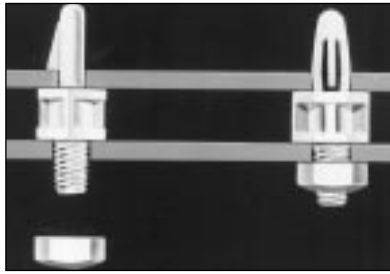


CIRCUIT BOARD HARDWARE

SCBS / MSCBS Series Studded Circuit Board Support



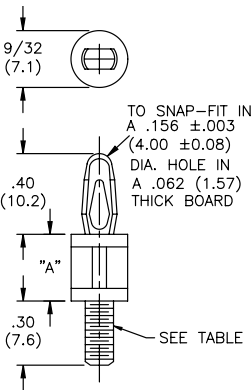
Mating Nuts	Thread
HN-8-32-01	#8-32
HN-M4-01	M-4

Material: Nylon 6/6, RMS-01 or Flame Retardant Nylon, RMS-19
Color: Natural

#8-32 Thread		Standard Pack: 1000 per bag
Nylon 6/6	Flame Retardant Nylon	"A" ± .015 (0.4)
SCBS-4-01	SCBS-4-19	1/4 (6.4)
SCBS-6-01	SCBS-6-19	3/8 (9.5)
SCBS-8-01	SCBS-8-19	1/2 (12.7)
SCBS-10-01	SCBS-10-19	5/8 (15.9)
SCBS-12-01	SCBS-12-19	3/4 (19.1)
SCBS-14-01	SCBS-14-19	7/8 (22.2)
SCBS-16-01	SCBS-16-19	1 (25.4)
SCBS-18-01	SCBS-18-19	1 - 1/8 (28.6)
SCBS-22.5-01	SCBS-22.5-19	1 - 13/32 (35.7)

M-4 Thread		Standard Pack: 1000 per bag
Nylon 6/6	Flame Retardant Nylon	"A" ± .015 (0.4)
MSCBS-4-01	MSCBS-4-19	1/4 (6.4)
MSCBS-6-01	MSCBS-6-19	3/8 (9.5)
MSCBS-8-01	MSCBS-8-19	1/2 (12.7)
MSCBS-10-01	MSCBS-10-19	5/8 (15.9)
MSCBS-12-01	MSCBS-12-19	3/4 (19.1)
MSCBS-14-01	MSCBS-14-19	7/8 (22.2)
MSCBS-16-01	MSCBS-16-19	1 (25.4)
MSCBS-18-01	MSCBS-18-19	1 - 1/8 (28.6)
MSCBS-22.5-01	MSCBS-22.5-19	1 - 13/32 (35.7)

CBS-TM Series Circuit Board Support, Threaded Male

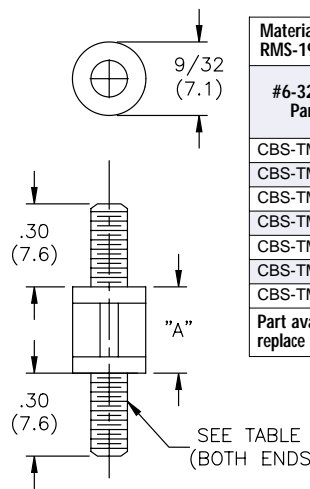


Material: Nylon 6/6, RMS-01 or Flame Retardant Nylon, RMS-19 • Color: Natural

#6-32 Thread Part No.	M4-Thread Part No.	Standard Pack: 1000 per bag "A" ± .015 (0.4)
CBS-TM-4-01	CBS-TM-M4-4-01	1/4 (6.4)
CBS-TM-6-01	CBS-TM-M4-6-01	3/8 (9.5)
CBS-TM-8-01	CBS-TM-M4-8-01	1/2 (12.7)
CBS-TM-10-01	CBS-TM-M4-10-01	5/8 (15.9)
CBS-TM-12-01	CBS-TM-M4-12-01	3/4 (19.1)
CBS-TM-14-01	CBS-TM-M4-14-01	7/8 (22.2)
CBS-TM-16-01	CBS-TM-M4-16-01	1 (25.4)
CBS-TM-18-01	CBS-TM-M4-18-01	1 - 1/8 (28.6)
CBS-TM-20-01	CBS-TM-M4-20-01	1 - 1/4 (31.8)
CBS-TM-22-01	CBS-TM-M4-22-01	1 - 3/8 (34.9)
CBS-TM-24-01	CBS-TM-M4-24-01	1 - 1/2 (38.1)

Part available in V-0 material as a standard. To order, replace -01 with -19.

CBS-TMM Series Circuit Board Support, Threaded Male-Male

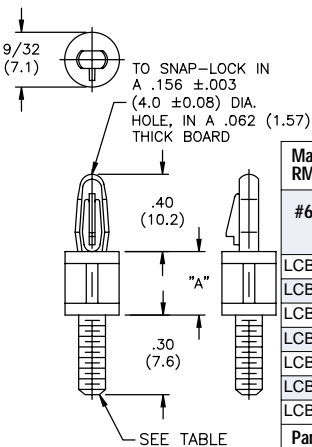


Material: Nylon 6/6, RMS-01 or Flame Retardant Nylon, RMS-19 • Color: Natural

#6-32 Thread Part No.	M-4 Thread Part No.	Standard Pack: 1000 per bag "A" ± .015 (0.4)
CBS-TMM-4-01	CBS-TMM-M4-4-01	1/4 (6.4)
CBS-TMM-6-01	CBS-TMM-M4-6-01	3/8 (9.5)
CBS-TMM-8-01	CBS-TMM-M4-8-01	1/2 (12.7)
CBS-TMM-10-01	CBS-TMM-M4-10-01	5/8 (15.9)
CBS-TMM-12-01	CBS-TMM-M4-12-01	3/4 (19.1)
CBS-TMM-14-01	CBS-TMM-M4-14-01	7/8 (22.2)
CBS-TMM-16-01	CBS-TMM-M4-16-01	1 (25.4)

Part available in V-0 material as a standard. To order, replace -01 with -19.

LCBS-TM Series Locking Circuit Board Support, Threaded Male

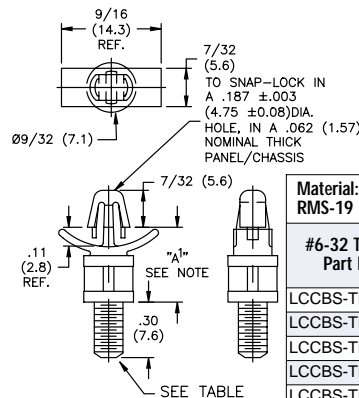


Material: Nylon 6/6, RMS-01 or Flame Retardant Nylon, RMS-19 • Color: Natural

#6-32 Thread Part No.	M-4 Thread Part No.	Standard Pack: 1000 per bag "A" ± .015 (0.4)
LCBS-TM-4-01	LCBS-TM-M4-4-01	1/4 (6.4)
LCBS-TM-6-01	LCBS-TM-M4-6-01	3/8 (9.5)
LCBS-TM-8-01	LCBS-TM-M4-8-01	1/2 (12.7)
LCBS-TM-10-01	LCBS-TM-M4-10-01	5/8 (15.9)
LCBS-TM-12-01	LCBS-TM-M4-12-01	3/4 (19.1)
LCBS-TM-14-01	LCBS-TM-M4-14-01	7/8 (22.2)
LCBS-TM-16-01	LCBS-TM-M4-16-01	1 (25.4)

Part available in V-0 material as a standard. To order, replace -01 with -19.

LCCBS-TM Series Locking Chassis Circuit Board Support, Threaded Male



NOTE:
Dim. A' will produce a board spacing equal to Dim. "A" of any corresponding TM or TF Series spacers when used in a .047 (1.2) panel thickness

Material: Nylon 6/6, RMS-01 or Flame Retardant Nylon, RMS-19 • Color: Natural

#6-32 Thread Part No.	M-4 Thread Part No.	Standard Pack: 1000 per bag "A" ± .015 (0.4)
LCCBS-TM-6-01	LCCBS-TM-M4-6-01	0.422 (10.7)
LCCBS-TM-8-01	LCCBS-TM-M4-8-01	0.547 (13.9)
LCCBS-TM-10-01	LCCBS-TM-M4-10-01	0.672 (17.1)
LCCBS-TM-12-01	LCCBS-TM-M4-12-01	0.797 (20.2)
LCCBS-TM-14-01	LCCBS-TM-M4-14-01	0.922 (23.4)
LCCBS-TM-16-01	LCCBS-TM-M4-16-01	1.047 (26.6)

Part available in V-0 material as a standard. To order, replace -01 with -19.