

Structure Silicone monolithic integrated circuit

Product name SCF built-in sound processor for car audio

Model Name **BD3827K**

●Features

- 1.Reduced noise for gain switching using soft switching circuit
- 2.Loudness is volume attenuation linked type and the frequency characteristics are determined by the externally mounted parts.
- 3.Use the Bi-CMOS process
- 4.Control voltage is 3.3-5.0V with 2-wire serial control.

●Absolute Maximum Ratings (Ta=25°C)

Parameter	Symbol	Limits	Unit
Applied voltage	VCC	10.0	V
Input voltage	Vin	VCC+0.3~GND-0.3	V
Power Dissipation	Pd	1060 *1	mW
Operating temperature	Topr	-40~+85 *2	°C
Storage temperature	Tastg	-55~+150	°C

*1 At Ta=25°C or higher, this value is decreased to 8.5mW/°C.

When Rohm standard board is mounted. Thermal resistance $\theta_{ja} = 117.6$ (°C/W).

Rohm standard board: size: 70×70×1.6 (mm³)

material: FR4 glass-epoxy substrate (copper foil area: not more than 3%).

*2 As long as voltage stays within operating voltage range, certain circuit operation is guaranteed in the operating temperature range.

Allowable loss conditions are related to temperature, to which care must be taken.

In addition though the standard value of its electrical characteristics cannot be guaranteed under the conditions other than those specified, original functions are maintained.

●Operating Voltage Range

Parameter	Symbol	Min.	Typ.	Max.	Unit
Power supply voltage *3	VCC	7.5	8.5	9.5	V

Basic operation shall be available at Ta=25°C.

*3 As long as temperature components must be set in accordance with the operating voltage and temperature ranges before using this IC.

In addition, though the standard value of its electrical characteristics cannot be guaranteed under the conditions other than those specified, original functions are maintained.

●Function

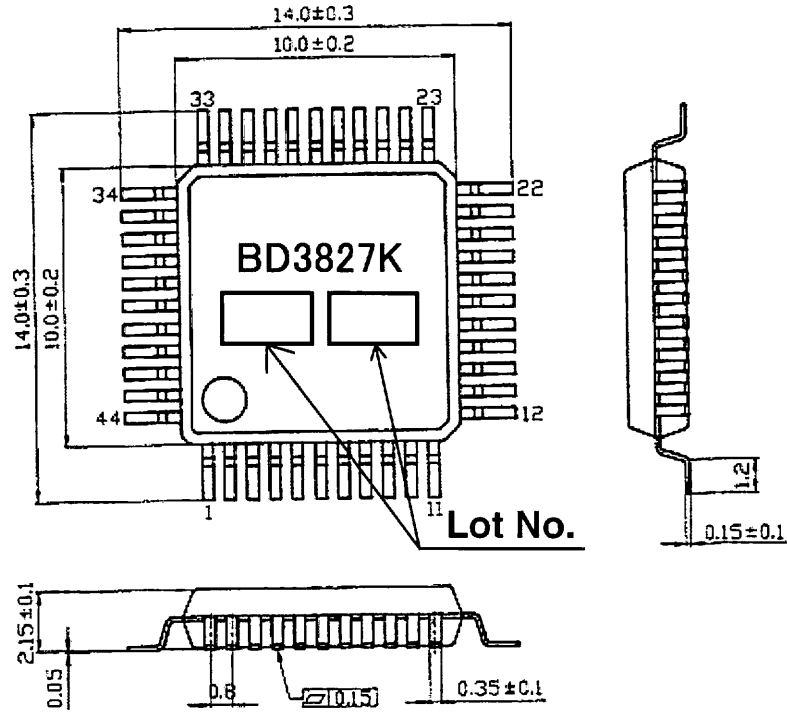
Function	Specifications
Input selector1,2	Dual mode stereo 5 input A input is differential input
Input Gain 1,2	0~6dB (1dB step), 6~20dB (2dB step) Dual mode
Volume	0dB~-36dB (1dB step), -36dB~-72dB (2dB step), -∞dB soft switching can be done.
Loudness	Taps at the volume -16dB, and -32dB position; with the external mount part, high and low range characteristics can be determined.
Bass	Gain=-20~+20dB (2dB step) Q=0.5, 0.75, 1, 1.25 f0=60, 80, 100, 120Hz Soft switching can be done for gain switching.
Treble	Gain=-20~+20dB (2dB step) f0=7.5, 10, 12.5, 15kHz Soft switching can be done for gain switching.
General purpose BPF	The C of externally mounted part can determine the central frequency. Q=1,1.85 Gain=-20~+20dB (2dB step) Soft switching can be done for gain switching
Fader	0dB~-72dB (2dB step), -∞dB 4 outputs independent control can be done. Soft switching can be done.
Output gain	Front & rear independent control can be done; Gain=0, +0.5, +1.0dB Soft switching can be done.
Sub-woofer	Mixed output for Channels 1 and 2 can be done in 1 system with 0dB~-28dB (2dB step), -∞dB. Soft switching can be done.

●Electrical characteristics

Unless specified particularly, Ta=25°C, VCC=8.5V, f=1kHz, Vin=1Vrms, Rg=600Ω, RL=10kΩ, B input, Input gain 0dB, Volume 0dB, Bass 0dB, Treble 0dB, General purpose BPF 0dB, Fader 0dB

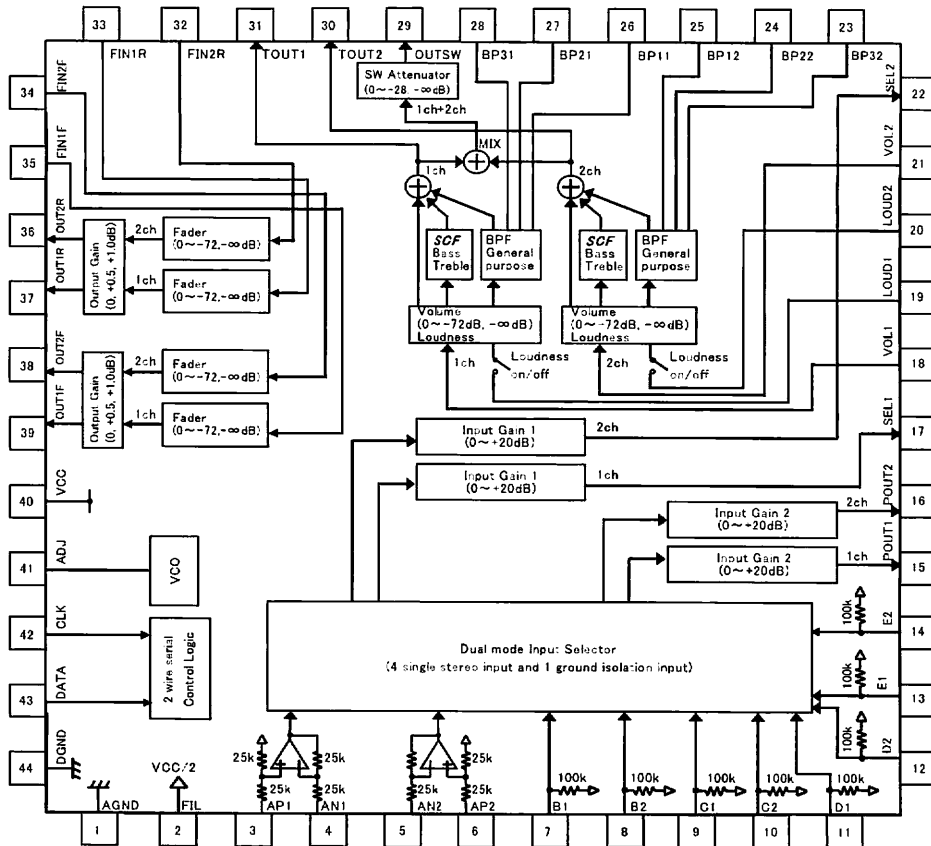
Parameter	Symbol	Limits			Unit	Conditions
		Min.	Typ.	Max.		
Circuit current upon no signal	I _Q	—	12	30	mA	No signal
Voltage gain	G _V	-1.5	0	1.5	dB	G _V = 20log(V _{OUT} /V _{IN})
Channel balance	CB	-1.5	0	1.5	dB	CB = G _{V1} -G _{V2}
Total harmonic distortion	THD	—	0.002	0.09	%	V _{OUT} = 1Vrms BW = 400-30KHz
Output noise voltage	V _{NO}	—	6	25	μVrms	R _g = 0Ω BW = IHF-A
Residual output noise voltage	V _{NOR}	—	2	10	μVrms	Fader = -∞dB R _g = 0Ω BW = IHF-A
Cross-talk between channels	CTC	85	100	—	dB	R _g = 0Ω CTC = 20log (V _{OUT} /V _{OUT}) BW = IHF-A
Ripple rejection	RR	40	70	—	dB	R _g = 0Ω, f = 100Hz VRR = 100mVrms RR = 20log (VCCIN/VOUT)
Maximum input voltage	V _{IM}	2.0	2.3	—	Vrms	V _{IM} at THD (V _{OUT})=1% BW = 400-30KHz
Maximum attenuation	G _{V MIN}	—	-104	-85	dB	Att. = -∞dB V _{IN} =2Vrms G _V = 20log (V _{OUT} /V _{IN}) BW = IHF-A
Maximum output voltage	V _{OM}	2.0	2.3	—	Vrms	THD=1% BW=400-30KHz

● Dimensional outline drawing



QFP44 (Unit : mm)

● Block diagram



●Cautions on use

- (1) Numbers and data in entries are representative design values and are not guaranteed values of the items.
- (2) Although we are confident in recommending the sample application circuits, carefully check their characteristics further when using them. When modifying externally attached component constants before use, determine them so that they have sufficient margins by taking into account variations in externally attached components and the Rohm LSI, not only for static characteristics but also including transient characteristics.
- (3) Absolute maximum ratings
If applied voltage, operating temperature range, or other absolute maximum ratings are exceeded, the LSI may be damaged. Do not apply voltages or temperatures that exceed the absolute maximum ratings. If you think of a case in which absolute maximum ratings are exceeded, enforce fuses or other physical safety measures and investigate how not to apply the conditions under which absolute maximum ratings are exceeded to the LSI.
- (4) GND potential
Make the GND pin voltage such that it is the lowest voltage even when operating below it. Actually confirm that the voltage of each pin does not become a lower voltage than the GND pin, including transient phenomena.
- (5) Thermal design
Perform thermal design in which there are adequate margins by taking into account the allowable power dissipation in actual states of use.
- (6) Shorts between pins and misinstallation
When mounting the LSI on a board, pay adequate attention to orientation and placement discrepancies of the LSI. If it is misinstalled and the power is turned on, the LSI may be damaged. It also may be damaged if it is shorted by a foreign substance coming between pins of the LSI or between a pin and a power supply or a pin and a GND.
- (7) Operation in strong magnetic fields
Adequately evaluate use in a strong magnetic field, since there is a possibility of malfunction.

Notes

- No technical content pages of this document may be reproduced in any form or transmitted by any means without prior permission of ROHM CO.,LTD.
- The contents described herein are subject to change without notice. The specifications for the product described in this document are for reference only. Upon actual use, therefore, please request that specifications to be separately delivered.
- Application circuit diagrams and circuit constants contained herein are shown as examples of standard use and operation. Please pay careful attention to the peripheral conditions when designing circuits and deciding upon circuit constants in the set.
- Any data, including, but not limited to application circuit diagrams information, described herein are intended only as illustrations of such devices and not as the specifications for such devices. ROHM CO.,LTD. disclaims any warranty that any use of such devices shall be free from infringement of any third party's intellectual property rights or other proprietary rights, and further, assumes no liability of whatsoever nature in the event of any such infringement, or arising from or connected with or related to the use of such devices.
- Upon the sale of any such devices, other than for buyer's right to use such devices itself, resell or otherwise dispose of the same, no express or implied right or license to practice or commercially exploit any intellectual property rights or other proprietary rights owned or controlled by
- ROHM CO., LTD. is granted to any such buyer.
- Products listed in this document are no antiradiation design.

The products listed in this document are designed to be used with ordinary electronic equipment or devices (such as audio visual equipment, office-automation equipment, communications devices, electrical appliances and electronic toys).

Should you intend to use these products with equipment or devices which require an extremely high level of reliability and the malfunction of which would directly endanger human life (such as medical instruments, transportation equipment, aerospace machinery, nuclear-reactor controllers, fuel controllers and other safety devices), please be sure to consult with our sales representative in advance.

About Export Control Order in Japan

Products described herein are the objects of controlled goods in Annex 1 (Item 16) of Export Trade Control Order in Japan.

In case of export from Japan, please confirm if it applies to "objective" criteria or an "informed" (by MITI clause) on the basis of "catch all controls for Non-Proliferation of Weapons of Mass Destruction.

Thank you for your accessing to ROHM product informations.
More detail product informations and catalogs are available,
please contact your nearest sales office.

Please contact our sales offices for details ;

U.S.A / San Diego	TEL : +1(858)625-3630	FAX : +1(858)625-3670
Atlanta	TEL : +1(770)754-5972	FAX : +1(770)754-0691
Dallas	TEL : +1(972)312-8818	FAX : +1(972)312-0330
Germany / Dusseldorf	TEL : +49(2154)9210	FAX : +49(2154)921400
United Kingdom / London	TEL : +44(1)908-282-666	FAX : +44(1)908-282-528
France / Paris	TEL : +33(0)1 56 97 30 60	FAX : +33(0) 1 56 97 30 80
China / Hong Kong	TEL : +852(2)740-6262	FAX : +852(2)375-8971
Shanghai	TEL : +86(21)6279-2727	FAX : +86(21)6247-2066
Dilian	TEL : +86(411)8230-8549	FAX : +86(411)8230-8537
Beijing	TEL : +86(10)8525-2483	FAX : +86(10)8525-2489
Taiwan / Taipei	TEL : +866(2)2500-6956	FAX : +866(2)2503-2869
Korea / Seoul	TEL : +82(2)8182-700	FAX : +82(2)8182-715
Singapore	TEL : +65-6332-2322	FAX : +65-6332-5662
Malaysia / Kuala Lumpur	TEL : +60(3)7958-8355	FAX : +60(3)7958-8377
Philippines / Manila	TEL : +63(2)807-6872	FAX : +63(2)809-1422
Thailand / Bangkok	TEL : +66(2)254-4890	FAX : +66(2)256-6334

Japan /
(Internal Sales)

Tokyo	2-1-1, Yaesu, Chuo-ku, Tokyo 104-0082	TEL : +81(3)5203-0321	FAX : +81(3)5203-0300
Yokohama	2-4-8, Shin Yokohama, Kohoku-ku, Yokohama, Kanagawa 222-8575	TEL : +81(45)476-2131	FAX : +81(45)476-2128
Nagoya	Dainagayo Building 9F 3-28-12, Meieki, Nakamura-ku, Nagoya, Aichi 450-0002	TEL : +81(52)581-8521	FAX : +81(52)561-2173
Kyoto	579-32 Higashi Shiokouji-cho, Karasuma Nishi-iru, Shiokoujidori, Shimogyo-ku, Kyoto 600-8216	TEL : +81(75)311-2121	FAX : +81(75)314-6559

(Contact address for overseas customers in Japan)

Yokohama	TEL : +81(45)476-9270	FAX : +81(045)476-9271
----------	-----------------------	------------------------