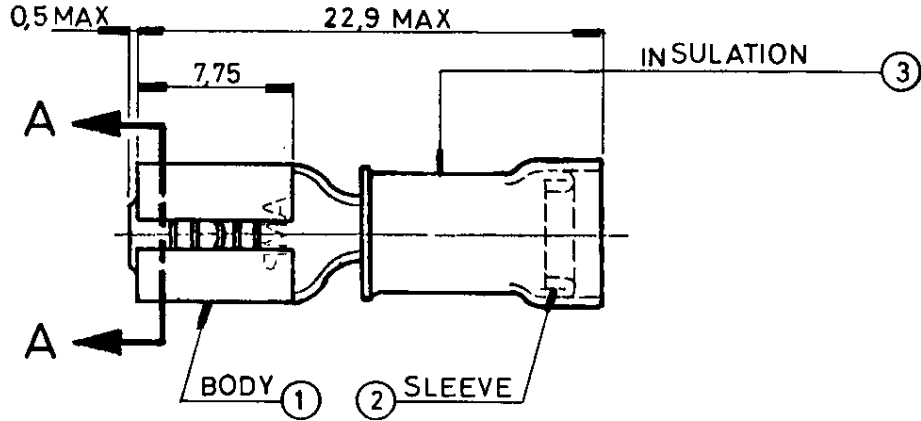


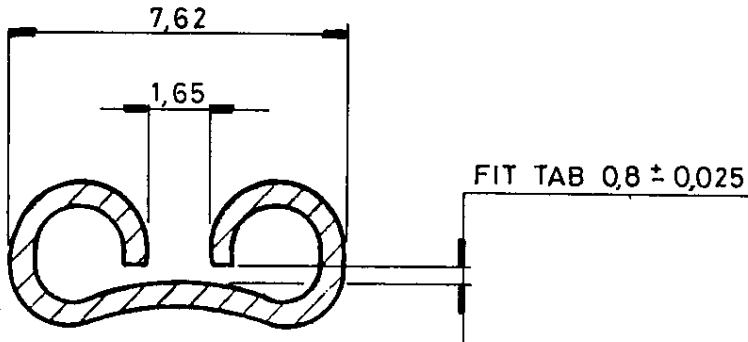
DWG N°  
PLANO N° C-42599

THIS INFORMATION IS CONFIDENTIAL AND IS DISCLOSED TO YOU ON CONDITION THAT NO FURTHER DISCLOSURE IS MADE BY YOU TO OTHER THAN AMP PERSONNEL WITHOUT WRITTEN AUTHORIZATION FROM AMP S.A. ARGENTINA.

ESTA INFORMACION ES CONFIDENCIAL Y ES ENTREGADA A UD. A CONDICION QUE LA COMPARTAS ES MENSUARIAMENTE SOLO CON PERSONAL DE AMP, SALVO QUE HAYA AUTORIZACION ESCRITA DE AMP S.A. ARGENTINA.



**SECTION "A-A"**  
ROTATED 90°



**CUSTOMER DWG  
REF. ONLY**

LOC	AN					
DIST	42599-2	3	PVC, RED COLOR	1		
		2	COPPER, TIN PLATED	1		
		1	BRASS, TIN PLATED	1		
	P/N	ITEM	MATERIAL			QTY
		DIVN / DIBUJO	M. JARA	May '95	CHK / CONTROL	APVD / APROBO
		DIMENSIONS / MEDIDAS				
		 ANGLE PROJECTION / ANGULO DE PROJ: 1st ANGLE		TOLERANCES UNLESS OTHERWISE SPECIFIED / TOLERANCIAS SALVO OTRA INDICACION: 0 PLC / LUG ± 1 PLC / LUG ± 2 PLC / LUG ± 3 PLC / LUG ± 4 PLC / LUG ± ANGLES / ANG: ±0.2		<b>AMP</b> AMP S.A. ARGENTINA C.L.Y.F.
Y	Responsib. of AMP ARGENTINA	10 May 95	APVD	NAME / NOMBRE <b>RECEPTACLE PIDG 22-18 FASTON</b>		
THIS DRAWING IS A CONTROLLED DOCUMENT FOR AMP S.A. ARGENTINA. IT IS SUBJECT TO CHANGE AND THE CONTROLLING ENGINEERING ORGANIZATION SHOULD BE CONTACTED FOR THE LATEST REVISION. / ESTE PLANO ES UN DOCUMENTO CONTROLADO POR AMP S.A. ARGENTINA. ESTA SUJETO A CAMBIOS Y HAY QUE CONTACTAR AL DEPT. DE INGENIERIA POR LA ULTIMA REVISION.						
		SCALE / ESCALA	N.T.S.	SIZE / TALL	A4	DRAWING N° / PLANO N°
				C-42599		SHEET / HOJA
						1 OF 1
						REV
						Y