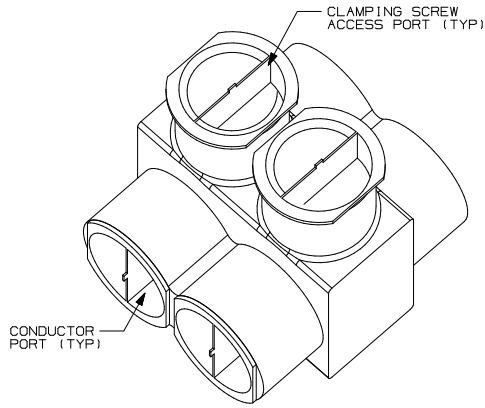
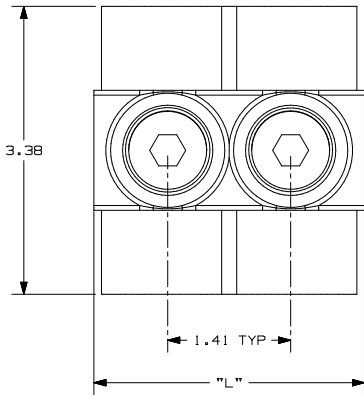
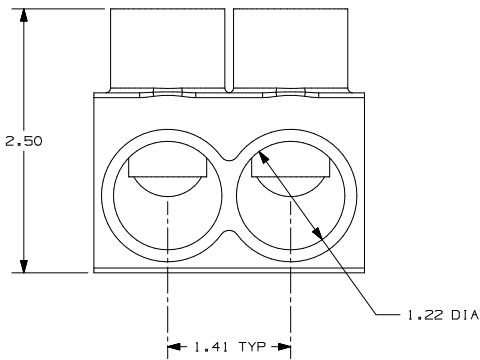


THIS COPY IS PROVIDED ON A RESTRICTED BASIS AND IS NOT TO BE USED IN ANY WAY DETRIMENTAL TO THE INTERESTS OF PANDUIT CORP.



NOTES:

1. DUAL RATED FOR ALUMINUM OR COPPER CONDUCTORS.
2. WIRE RANGE: 750 kcmil - 1/0 AWG. ONLY ONE CONDUCTOR PER PORT ALLOWED.
3. STRIP LENGTH: 1.50 +.06/-0
4. HEX KEY SIZE: 3/8", TIGHTENING TORQUE 375 IN-LB.
5. VOLTAGE RATING: 600 V. MAX.
6. TEMPERATURE RATING: 90° C.
7. CONNECTOR BLOCK BODY IS MADE FROM ALUMINUM. CLAMPING SCREWS ARE TIN-PLATED. PORTS IN CONNECTOR BLOCK ARE PREFILLED WITH AN OXIDE-INHIBITING COMPOUND.
8. INSULATION MATERIAL IS CLEAR PVC.
9. CLAMPING SCREW ACCESS PORTS AND ALL CONDUCTOR ENTRY PORTS ARE PROVIDED WITH REMOVABLE PLASTIC CLOSURE PLUGS.
10. ALL DIMENSIONS SHOWN ARE NOMINAL.
11. PACKAGE QTY: -2Y = 2 PCS
-1Y = 1 PC
12. THIS PART IS ROHS COMPLIANT.



PART NUMBER	# CONDUCTOR PORTS	DIM "L"
PCSB750-2-2Y	2	3.00
PCSB750-3-2Y	3	4.44
PCSB750-4-2Y	4	5.81
PCSB750-5-1Y	5	7.25
PCSB750-6-1Y	6	8.63
PCSB750-7-1Y	7	10.00
PCSB750-8-1Y	8	11.44
PCSB750-9-1Y	9	12.81
PCSB750-10-1Y	10	14.25

REV	DATE	BY	CHK	DESCRIPTION	ECN #	CUST	PM
01	3/06	JHNU	LEM	REVISED ROHS NOTE	PC00334		
00	2/06	JHNU	LEM	DRAWING RELEASED - ROHS COMPLIANT	PC00299		

C41575_01

PANDUIT CORP., TINLEY PARK, ILLINOIS

MULTI-TAP INSULATED CONNECTORS
PCSB 750 DOUBLE SIDED SERIES

DRAWN BY: JHNU, DATE: , SCALE: N/A, DRAWING NO.: C41575