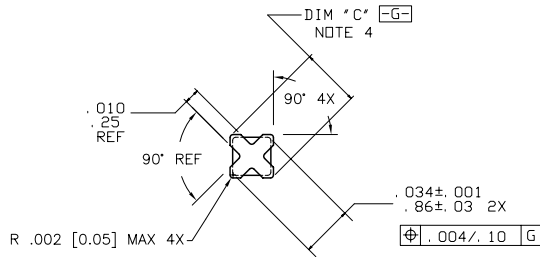
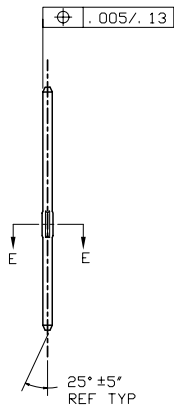
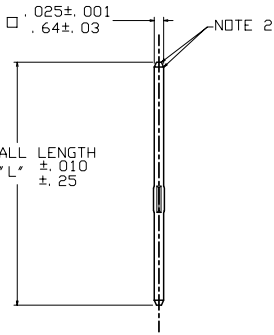
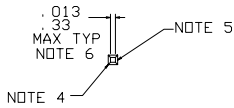
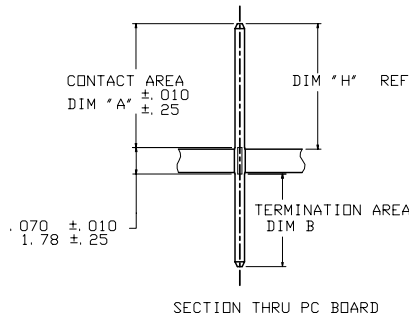


PRODUCT NUMBER
SEE TABLE



SECTION E-E
SCALE 12/1
WITHOUT FERRULE



SECTION THRU PC BOARD

mat'l. code		surface		tolerance		projection		product family	
SEE NOTE 1		ASME Y14.5 ✓		ASME Y14.5		INCH/MM		PIN PRODUCTS	
ltr	ec'n no	dr	date	tolerances unless otherwise specified		scale		title	
Y	v07-0009	HTB	2007-01-05	angles	xxx+01/xx+3	3:1		BERGPIN® LOOSE PIECE	
AA	v08-0353	HTB	2008-08-18	0° ± 2'	xxx+005/xxx+8			.039"[0.99] DIA. STAR	
U	v71498	HTB	1997-10-28	dr	xxxx+0020/xxx+051			dwg no	
V	v01594	JRW	2000-07-12	engi		FCJ		76151	
W	v05-0399	HTB	2005-04-28	chr				sheet 1 of 5	
X	v06-0684	HTB	2006-07-24	appd				A4	
sheet	revision	AA	AA	AA	AA			type	
index	sheet	1	2	3	4			CUSTOMER Drawing	

PRODUCT NUMBER NOTE 9	PLATING	UNDERPLATING
76151-YYY	30µ" [0.76µ] MIN Au	50µ" [1.27µ] MIN Ni
76151-YYLFF		
76153-YYY	50µ" [1.27µ] MIN Au	50µ" [1.27µ] MIN Ni
76153-YYLFF		
76154-YYY	120µ" [3.05µ] MIN 93/7 SnPb	50µ" [1.27µ] MIN Ni
76154-YYLFF	100µ" [2.54µ] MIN Sn (NOTE 10)	50µ" [1.27µ] MIN Ni
76155-YYY	30µ" [0.76µ] MIN CXT™	50µ" [1.27µ] MIN Ni
76155-YYLFF		
76156-YYY	15µ" [0.38µ] MIN CXT™	50µ" [1.27µ] MIN Ni
76156-YYLFF		
76159-YYY	15µ" [0.38µ] MIN Au	50µ" [1.27µ] MIN Ni
76159-YYLFF		

DISCONTINUED

NOTES:

- ①. MATERIAL: 3/4 HARD PHOS BRONZE
ASTM B-159-66
- ②. BURNISH MARKS ON PIN PERMITTED
BURR .003 [0.08] MAX BULGE
.0005 [0.013] MAX TYP.
3. SEE PRODUCT SPECIFICATION BUS-12-064
FOR P.C. BOARD HOLE DIAMETER AND P.C.
BOARD HOLE PLATING INFORMATION.
- ④. .002 [0.05] R MAX TYP 4X ON WIRE
PORTION OF PIN.
- ⑤. TWO SIDES OF LEAD-IN NOT PLATED
TYP BOTH ENDS.
- ⑥. .016 [0.41] MAX OPPOSITE END IF DIM
B IS LESS THAN .230 [5.84].
- ⑦. TOLERANCE: +.001 [0.03], -.002 [0.05]
- ⑧. TOLERANCE: ±.001 [0.03]
- ⑨. ADD AN LF SUFFIX TO PART NUMBERS FOR PRODUCT
THAT MEETS EUROPEAN UNION DIRECTIVES AND OTHER
COUNTRY REGULATIONS AS DESCRIBED IN GS-22-008.
- ⑩. THIS PRODUCT HAS 100% TIN PLATING IN THE
INTERFACE AND HAS NOT BEEN TESTED FOR WHISKER
GROWTH IN ALL INTERCONNECT ENVIRONMENTS.

mat'l. code	SEE NOTE 1	surface	tolerance	projection	product family
lfr	ecn no	dr	date	ASME Y14.5 ✓ ASME Y14.5	PIN PRODUCTS
AA				tolerances unless otherwise specified	title
				angles	BERGPIN® LOOSE PIECE
				0° ±2'	.039"[0.99] DIA. STAR
				dr M. FETROW 1994-05-16	dwg no
				enrgt L. FYE 1994-05-16	76151
				chr L. FYE 1994-05-16	sheet 2 of 5
				appd L. FYE 1994-05-16	A4
sheet	revision				type
index	sheet				CUSTOMER Drawing

Copyright FCJ



FCJconnect.com

1 | 2

3 |

4

PRODUCT NO. NOTE 9	CONTACT AREA DIM "A"	TERMINATION AREA DIM "B"	DIM "C"	DIM "H" FOR .062 BOARD 1.57	DIM "H" FOR .093 BOARD 2.36	DIM "H" FOR .125 BOARD 3.17	OVERALL LENGTH DIM "L"	CUSTOMER RESTRICTED
7615X-001	.230/5.84	.045/1.14	.039/0.99 NOTE 7	.235/5.97	.220/5.59	.205/5.21	.345/8.76	NO
7615X-002	.265/6.73	.045/1.14	.039/0.99 NOTE 7	.270/6.86	.255/6.48	.240/6.10	.380/9.65	NO
7615X-003	.345/8.76	.045/1.14	.039/0.99 NOTE 7	.350/8.89	.335/8.51	.320/8.13	.460/11.68	NO
7615X-004	.400/10.16	.045/1.14	.039/0.99 NOTE 7	.405/10.29	.390/9.91	.375/9.53	.515/13.08	NO
7615X-005	.415/10.54	.045/1.14	.039/0.99 NOTE 7	.420/10.67	.405/10.29	.390/9.91	.530/13.46	NO
7615X-006	.435/11.05	.045/1.14	.039/0.99 NOTE 7	.440/11.18	.425/10.80	.410/10.41	.550/13.97	NO
7615X-007	.465/11.81	.045/1.14	.039/0.99 NOTE 7	.470/11.94	.455/11.56	.440/11.18	.580/14.73	NO
7615X-008	.515/13.08	.045/1.14	.039/0.99 NOTE 7	.520/13.21	.505/12.83	.490/12.45	.630/16.00	NO
7615X-009	.575/14.61	.040/1.02	.039/0.99 NOTE 7	.575/14.61	.560/14.22	.545/13.84	.685/17.40	NO
7615X-010	.585/14.86	.045/1.14	.039/0.99 NOTE 7	.590/14.99	.575/14.61	.560/14.22	.700/17.78	NO
7615X-011	.635/16.13	.045/1.14	.039/0.99 NOTE 7	.640/16.26	.625/15.88	.610/15.49	.750/19.05	NO
7615X-012	.655/16.64	.045/1.14	.039/0.99 NOTE 7	.660/16.76	.645/16.38	.630/16.00	.770/19.56	NO
7615X-013	.745/18.92	.045/1.14	.039/0.99 NOTE 7	.750/19.05	.735/18.67	.720/18.29	.860/21.84	NO
7615X-014	.265/6.73	.245/6.22	.039/0.99 NOTE 7	.270/6.86	.255/6.48	.240/6.10	.580/14.73	NO
7615X-015	.345/8.76	.245/6.22	.039/0.99 NOTE 7	.350/8.89	.335/8.51	.320/8.13	.660/16.76	NO
7615X-016	.400/10.16	.245/6.22	.039/0.99 NOTE 7	.405/10.29	.390/9.91	.375/9.53	.715/18.16	NO
7615X-017	.465/11.81	.245/6.22	.039/0.99 NOTE 7	.470/11.94	.455/11.56	.440/11.18	.780/19.81	NO
7615X-018	.570/14.48	.245/6.22	.039/0.99 NOTE 7	.575/14.61	.560/14.22	.545/13.84	.885/22.48	NO
7615X-019	.625/15.88	.245/6.22	.039/0.99 NOTE 7	.630/16.00	.615/15.62	.600/15.24	.940/23.88	NO
7615X-020	.655/16.64	.245/6.22	.039/0.99 NOTE 7	.660/16.76	.645/16.38	.630/16.00	.970/24.64	NO
7615X-021	.265/6.73	.355/9.02	.039/0.99 NOTE 7	.270/6.86	.255/6.48	.240/6.10	.690/17.53	NO
7615X-022	.345/8.76	.355/9.02	.039/0.99 NOTE 7	.350/8.89	.335/8.51	.320/8.13	.770/19.56	NO
7615X-023	.400/10.16	.355/9.02	.039/0.99 NOTE 7	.405/10.29	.390/9.91	.375/9.53	.825/20.96	NO
7615X-024	.465/11.81	.355/9.02	.039/0.99 NOTE 7	.470/11.94	.455/11.56	.440/11.18	.890/22.61	NO
7615X-025	.570/14.48	.355/9.02	.039/0.99 NOTE 7	.575/14.61	.560/14.22	.545/13.84	.995/25.27	NO
7615X-026	.625/15.88	.355/9.02	.039/0.99 NOTE 7	.630/16.00	.615/15.62	.600/15.24	1.050/26.67	NO
7615X-027	.655/16.64	.355/9.02	.039/0.99 NOTE 7	.660/16.76	.645/16.38	.630/16.00	1.080/27.43	NO

mat'l. code	SEE NOTE 1	surface ASME Y14.5 <input checked="" type="checkbox"/>	tolerance ASME Y14.5	projection	product family
lfr	ecrn no	dr	date	INCH/MM	PIN PRODUCTS
AA				scale 1:1	title
					BERGPIN® LOOSE PIECE
					.039"[0.99] DIA. STAR
					dwg no
					76151
					sheet 3 of 5
					size A4
					type
					CUSTOMER Drawing
sheet index	revision sheet				

form A4mmXc

1 |

2 |

3 |

4

PDM: Rev:AA

STATUS:Released

Printed: Sep 15, 2009

Copyright FCJ



FCJconnect.com

1 | 2

3 |

4

PRODUCT NO. NOTE 9	CONTACT AREA DIM "A"	TERMINATION AREA DIM "B"	DIM "C"	DIM "H" FOR .062 1.57 BOARD	DIM "H" FOR .093 2.36 BOARD	DIM "H" FOR .125 3.17 BOARD	OVERALL LENGTH DIM "L"	CUSTOMER RESTRICTED
7615X-028	.305/7.75	.035/0.89	.039/0.99 NOTE 7	.310/7.87	.295/7.49	.280/7.11	.410/10.41	NO
7615X-029	.755/19.18	.345/8.76	.039/0.99 NOTE 7	.760/19.30	.745/18.92	.730/18.54	1.170/29.72	NO
7615X-030	.710/18.03	.345/8.76	.039/0.99 NOTE 7	.715/18.16	.700/17.78	.685/17.40	1.125/28.58	NO
7615X-031	.545/13.84	.198/5.03	.039/0.99 NOTE 7	.550/13.97	.535/13.59	.520/13.21	.813/20.65	NO
7615X-032								
7615X-033	.335/8.51	.375/9.53	.039/0.99 NOTE 7	.340/8.64	.325/8.26	.310/7.87	.780/19.81	NO
7615X-034	.535/13.59	.045/1.14	.039/0.99 NOTE 7	.540/13.72	.525/13.34	.510/12.95	.650/16.51	NO
7615X-035	.560/14.22	.260/6.60	.039/0.99 NOTE 7	.565/14.35	.550/13.97	.535/13.59	.890/22.61	NO
7615X-036	.510/12.95	.381/9.68	.039/0.99 NOTE 7	.515/13.08	.500/12.70	.485/12.32	.961/24.41	NO
7615X-037	.325/8.26	.101/2.57	.039/0.99 NOTE 7	.330/8.38	.315/8.00	.300/7.62	.496/12.60	NO
7615X-038	.595/15.11	.330/8.38	.039/0.99 NOTE 7	.600/15.24	.585/14.86	.570/14.48	.995/25.27	NO
7615X-039	.755/19.18	.065/1.65	.039/0.99 NOTE 7	.760/19.30	.745/18.92	.730/18.54	.890/22.61	NO
7615X-040	.315/8.00	.395/10.03	.039/0.99 NOTE 7	.320/8.13	.305/7.75	.290/7.37	.780/19.81	NO
7615X-041	.230/5.84	.080/2.03	.039/0.99 NOTE 7	.235/5.97	.220/5.59	.205/5.21	.380/9.65	NO
7615X-042	.870/22.10	.045/1.14	.039/0.99 NOTE 7	.875/22.23	.860/21.84	.845/21.46	.985/25.02	NO
7615X-043	.504/12.80	.329/8.36	.039/0.99 NOTE 7	.509/12.80	.494/12.55	.479/12.17	.900/22.86	NO
7615X-044	.324/8.23	.056/1.42	.039/0.99 NOTE 7	.329/8.36	.314/7.98	.299/7.60	.450/11.43	NO
7615X-045	.499/12.68	.056/1.42	.039/0.99 NOTE 7	.504/12.80	.489/12.42	.474/12.04	.625/15.88	NO
7615X-046	.430/10.92	.535/13.59	.039/0.99 NOTE 7	.435/11.05	.420/10.67	.405/10.29	1.035/26.29	NO
7615X-047	.375/9.53	.070/1.78	.039/0.99 NOTE 7	.380/9.65	.365/9.27	.350/8.89	.515/13.08	NO
7615X-048	.375/9.53	.275/6.99	.039/0.99 NOTE 7	.380/9.65	.365/9.27	.350/8.89	.720/18.29	NO
7615X-049	.545/13.84	.070/1.78	.039/0.99 NOTE 7	.550/13.97	.535/13.59	.520/13.21	.685/17.40	NO
7615X-050	.313/7.95	.317/8.05	.039/0.99 NOTE 7	.318/8.08	.303/7.70	.288/7.32	.700/17.78	NO
7615X-051	.320/8.13	.045/1.14	.039/0.99 NOTE 7	.325/8.26	.310/7.87	.295/7.49	.435/11.05	NO
7615X-052	.620/15.75	.590/14.99	.039/0.99 NOTE 7	.625/15.88	.610/15.49	.595/15.11	1.280/35.51	NO
7615X-053	.245/6.22	.045/1.14	.039/0.99 NOTE 7	.250/6.35	.235/5.97	.220/5.59	.360/9.14	NO
7615X-054	.623/15.82	.270/6.86	.039/0.99 NOTE 7	.628/15.95	.613/15.57	.598/15.19	.963/24.46	NO

OBSOLETE

A

A

B

B

mat'l. code	SEE NOTE 1	surface	tolerance	projection	product family
AA	ecm no	ASME Y14.5	ASME Y14.5		PIN PRODUCTS
dr	date	tolerances unless otherwise specified		INCH/MM	title
		angles	XX+01/XX-3	scale 1:1	BERGPIN® LOOSE PIECE
		0° ±2'	XXX+005/XXX-13		.039"[0.99] DIA. STAR
			XXXX+0020/XXX+051		dwg no
		dr	M. FETROW		76151
		engr	L. FYE		sheet 4 of 5
		chr	L. FYE		A4
		appd	L. FYE		type
sheet index	revision sheet				CUSTOMER Drawing

form A4mmXlc

1 |

2 |

3 |

4

Copyright FCI



FCIconnect.com

PRODUCT NO. NOTE 9	CONTACT AREA DIM "A"	TERMINATION AREA DIM "B"	DIM "C"	DIM "H"		DIM "H"		OVERALL LENGTH DIM "L"	CUSTOMER RESTRICTED
				FOR .062 1.57	BOARD	FOR .093 2.36	BOARD		
7615X-055	.684/17.37	.051/1.30	.039/0.99 NOTE 7	.689/17.50		.674/17.12		.800/20.32	NO
7615X-056	.295/7.49	.192/4.88	.039/0.99 NOTE 7	.300/7.62		.285/7.24		.552/14.02	NO
7615X-057	.785/19.94	.050/1.27	.039/0.99 NOTE 7	.790/20.07		.775/19.69		.900/22.86	NO
7615X-058	.747/18.97	.524/13.31	.039/0.99 NOTE 7	.752/19.10		.737/18.72		1.335/33.91	NO
7615X-059	.230/5.84	.135/3.43	.039/0.99 NOTE 7	.235/5.97		.220/5.59		.430/10.92	NO
7615X-060	.400/10.16	.440/11.18	.039/0.99 NOTE 7	.405/10.29		.390/9.91		.910/23.11	NO
7615X-061	.280/7.11	.192/4.88	.039/0.99 NOTE 7	.285/7.24		.270/6.86		.542/13.77	NO
7615X-062	.280/7.11	.085/2.16	.039/0.99 NOTE 7	.285/7.24		.270/6.86		.435/11.05	NO
7615X-063	.100/2.54	.050/1.27	.039/0.99 NOTE 7	.105/2.67		.090/2.29		.220/5.59	NO
7615X-064	.380/9.65	.650/16.51	.039/0.99 NOTE 7	.385/9.78		.370/9.40		1.100/27.94	NO
7615X-065	.610/15.49	.030/0.76	.038/0.97 NOTE 8	.615/15.62		.600/15.24		.710/18.03	YES
7615X-066	.822/20.88	.045/1.14	.039/0.99 NOTE 7	.827/21.01		.812/20.63		.937/23.80	NO
7615X-067	.945/24.00	.045/1.14	.039/0.99 NOTE 7	.945/24.00		.935/23.75		1.055/26.80	NO
7615X-068	.194/4.93	.042/1.07	.039/0.99 NOTE 7	.196/4.98		.181/4.60		.306/7.77	NO
7615X-069	.220/5.59	.220/5.59	.039/0.99 NOTE 7	.225/5.72		.210/5.33		.510/12.95	NO

mat'l. code	SEE NOTE 1	surface	ASME Y14.5	tolerance	ASME Y14.5	projection	product family
ltr	ec'n no	dr	date	tolerances unless otherwise specified	INCH/MM	scale	PIN PRODUCTS
AA				angles	XXX+01/XX+3	1:1	title
				0° ±2'	XXX+005/XX+13		BERGPIN® LOOSE PIECE
				dr	XXXX+0020/XXX+051		.039"[0.99] DIA. STAR
				engr	M. FETROW 1994-05-16		dwg no
				chr	L. FYE 1994-05-16		76151
				appd	L. FYE 1994-05-19		sheet 5 of 5
sheet index	revision sheet						A4
							type
							CUSTOMER Drawing

form A4mmXlc