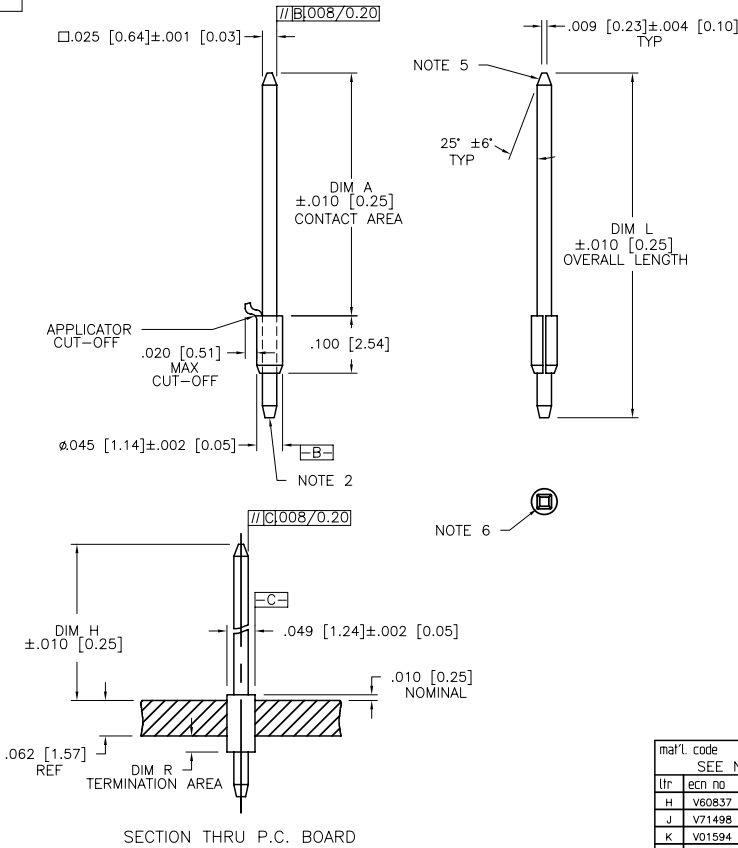


PRODUCT NUMBER
SEE TABLE



NOTES :

1. MATERIAL : POST, 3/4 HD PHOS BRONZE
ASTM B-159-66.
FERRULE, 3/4 HD CARTRIDGE
BRASS ASTM B-36-67.
2. FLAT MAY GO TO .016 [0.41] MAX WHEN
DIM "R" IS UNDER .200 [5.08].
3. SEE PRODUCT SPECIFICATION BUS-12-040
FOR P.C. BOARD HOLE DIAMETER AND P.C.
BOARD HOLE PLATING INFORMATION.
4. CENTER LINE OF THE TERMINAL MUST
BE IN THE TRUE POSITION IN RESPECT
TO THE HOLE AXIS, WITHIN .015 [0.38]
DIA AFTER INSERTION IN P.C. BOARD.
5. TWO SIDES OF LEAD-IN NOT PLATED.
TYP BOTH ENDS.
6. .002 [0.05] R MAX TYP (4) ON WIRE WRAP
PORTION OF POST.
7. POST TO FERRULE RETENTION 12 LBS [5.44 KG]
MIN. BEFORE STAKING.
8. POST IS BONDED TO FERRULE.
9. BURNISH MARKS ON PINS PERMITTED.
10. .015 [0.38] MAX SOLDER PERMISSIBLE
ABOVE AND BELOW THE FERRULE ON
THE SURFACE OF THE PIN.
11. ADD AN LF SUFFIX TO PART NUMBERS FOR PRODUCT
THAT MEETS EUROPEAN UNION DIRECTIVES AND OTHER
COUNTRY REGULATIONS AS DESCRIBED IN GS-22-008.
PLATING CODE 4 AVAILABLE AS LF (TIN) ONLY.
12. THIS PRODUCT HAS 100% TIN PLATING IN THE
INTERFACE AND HAS NOT BEEN TESTED FOR WHISKER
GROWTH IN ALL INTERCONNECT ENVIRONMENTS.

mat'l. code		surface		tolerance		projection		product family	
SEE NOTE 1		ASME Y14.5		ASME Y14.5		INCH/MM		PIN PRODUCTS	
l/r	ec'n no	dr	date	tolerances unless otherwise specified		INCH/MM		title	
H	V60837	EPK	1996-06-10	angles	XXX+01/XX+3	scale 5:1		BERGPOST® LOOSE PIECE WITH RETENTION NICKS	
J	V71498	HTB	1997-10-28	flatness	XXX+005/XXX+13	FCJ		dwg no 76200 sheet 1 of 4 size A4	
K	V01594	JRW	2000-07-12	0°±2'	XXXX+0020/XXX+051	type		CUSTOMER Drawing	
L	V05-0387	HTB	2005-04-27	dr	E. KROPIEWICKI	1996-06-10			
M	V06-0685	HTB	2006-07-26	engr	L. FYE	1996-06-10			
N	V08-0379	HTB	2008-09-04	chr	T. BREWBAKER	1996-06-10			
				appd	L. FYE	1996-06-10			
sheet	revision	N	N	N	N				
index	sheet	1	2	3	4				

Copyright FCJ



FCJconnect.com

1

2

3

4

PRODUCT NUMBER NOTE 11	CONTACT AREA DIM A	DIM H	OVERALL LENGTH DIM L	DIM R	PLATING CODE
76200-001	.308 / 7.82	.328 / 8.33	.450 / 11.43	.060 / 1.52	OBSOLETE
76200-001LF	.308 / 7.82	.328 / 8.33	.450 / 11.43	.060 / 1.52	4
76200-002	.558 / 14.17	.578 / 14.68	.700 / 17.78	.060 / 1.52	OBSOLETE
76200-002LF	.558 / 14.17	.578 / 14.68	.700 / 17.78	.060 / 1.52	4
76200-003	.698 / 17.73	.718 / 18.24	.840 / 21.34	.060 / 1.52	OBSOLETE
76200-003LF	.698 / 17.73	.718 / 18.24	.840 / 21.34	.060 / 1.52	4
76200-004	.748 / 19.00	.768 / 19.51	.890 / 22.61	.060 / 1.52	OBSOLETE
76200-004LF	.748 / 19.00	.768 / 19.51	.890 / 22.61	.060 / 1.52	4
76200-005	.558 / 14.17	.578 / 14.68	1.210 / 30.73	.570 / 14.48	OBSOLETE
76200-005LF	.558 / 14.17	.578 / 14.68	1.210 / 30.73	.570 / 14.48	4
76200-006	.558 / 14.17	.578 / 14.68	1.400 / 35.56	.760 / 19.30	OBSOLETE
76200-006LF	.558 / 14.17	.578 / 14.68	1.400 / 35.56	.760 / 19.30	4
76200-007	.698 / 17.73	.718 / 18.24	1.485 / 37.72	.705 / 17.91	OBSOLETE
76200-007LF	.698 / 17.73	.718 / 18.24	1.485 / 37.72	.705 / 17.91	4
76200-008	.228 / 5.79	.248 / 6.30	.370 / 9.40	.060 / 1.52	OBSOLETE
76200-008LF	.228 / 5.79	.248 / 6.30	.370 / 9.40	.060 / 1.52	4
76200-009	.558 / 14.17	.578 / 14.68	.880 / 22.35	.240 / 6.10	OBSOLETE
76200-009LF	.558 / 14.17	.578 / 14.68	.880 / 22.35	.240 / 6.10	4
76200-010	.583 / 14.81	.603 / 15.32	1.000 / 25.40	.335 / 8.51	OBSOLETE
76200-010LF	.583 / 14.81	.603 / 15.32	1.000 / 25.40	.335 / 8.51	4
76200-011	.308 / 7.82	.328 / 8.33	.450 / 11.43	.060 / 1.52	1
76200-011LF	.308 / 7.82	.328 / 8.33	.450 / 11.43	.060 / 1.52	1
76200-012	SUPERCEDED BY 76200-070				
76200-013	.698 / 17.73	.718 / 18.24	.840 / 21.34	.060 / 1.52	1
76200-013LF	.698 / 17.73	.718 / 18.24	.840 / 21.34	.060 / 1.52	1
76200-014	SUPERCEDED BY 76200-059				
76200-015	.558 / 14.17	.578 / 14.68	1.210 / 30.73	.570 / 14.48	1
76200-015LF	.558 / 14.17	.578 / 14.68	1.210 / 30.73	.570 / 14.48	1
76200-016	.558 / 14.17	.578 / 14.68	1.400 / 35.56	.760 / 19.30	1
76200-016LF	.558 / 14.17	.578 / 14.68	1.400 / 35.56	.760 / 19.30	1
76200-017	.698 / 17.73	.718 / 18.24	1.485 / 37.72	.705 / 17.91	1
76200-017LF	.698 / 17.73	.718 / 18.24	1.485 / 37.72	.705 / 17.91	1
76200-018	.228 / 5.79	.248 / 6.30	.370 / 9.40	.060 / 1.52	1
76200-018LF	.228 / 5.79	.248 / 6.30	.370 / 9.40	.060 / 1.52	1
76200-019	.558 / 14.17	.578 / 14.68	.880 / 22.35	.240 / 6.10	1
76200-019LF	.558 / 14.17	.578 / 14.68	.880 / 22.35	.240 / 6.10	1

PRODUCT NUMBER NOTE 11	CONTACT AREA DIM A	DIM H	OVERALL LENGTH DIM L	DIM R	NOTES
76200-020	.380 / 9.65	.400 / 10.16	.520 / 13.21	.058 / 1.47	3
76200-020LF	.380 / 9.65	.400 / 10.16	.520 / 13.21	.058 / 1.47	3
76200-021	.520 / 13.21	.540 / 13.72	.662 / 16.81	.060 / 1.52	3
76200-021LF	.520 / 13.21	.540 / 13.72	.662 / 16.81	.060 / 1.52	3
76200-022	.380 / 9.65	.400 / 10.16	.772 / 19.61	.320 / 8.13	3
76200-022LF	.380 / 9.65	.400 / 10.16	.772 / 19.61	.320 / 8.13	3
76200-023	.520 / 13.21	.540 / 13.72	.912 / 23.16	.320 / 8.13	3
76200-023LF	.520 / 13.21	.540 / 13.72	.912 / 23.16	.320 / 8.13	3
76200-024	.380 / 9.65	.400 / 10.16	.522 / 13.26	.060 / 1.52	OBSOLETE
76200-024LF	.380 / 9.65	.400 / 10.16	.522 / 13.26	.060 / 1.52	4
76200-025	.520 / 13.21	.540 / 13.72	.662 / 16.81	.060 / 1.52	OBSOLETE
76200-025LF	.520 / 13.21	.540 / 13.72	.662 / 16.81	.060 / 1.52	4
76200-026	.380 / 9.65	.400 / 10.16	.772 / 19.61	.320 / 8.13	OBSOLETE
76200-026LF	.380 / 9.65	.400 / 10.16	.772 / 19.61	.320 / 8.13	4
76200-027	.520 / 13.21	.540 / 13.72	.912 / 23.16	.320 / 8.13	OBSOLETE
76200-027LF	.520 / 13.21	.540 / 13.72	.912 / 23.16	.320 / 8.13	4
76200-028	.228 / 5.79	.248 / 6.30	.550 / 13.97	.240 / 6.10	3
76200-028LF	.228 / 5.79	.248 / 6.30	.550 / 13.97	.240 / 6.10	3
76200-029	.323 / 8.20	.343 / 8.71	.463 / 11.76	.058 / 1.47	3
76200-029LF	.323 / 8.20	.343 / 8.71	.463 / 11.76	.058 / 1.47	3
76200-030	.573 / 14.55	.593 / 15.06	.715 / 18.16	.060 / 1.52	3
76200-030LF	.573 / 14.55	.593 / 15.06	.715 / 18.16	.060 / 1.52	3
76200-031	.698 / 17.73	.718 / 18.24	.840 / 21.34	.060 / 1.52	3
76200-031LF	.698 / 17.73	.718 / 18.24	.840 / 21.34	.060 / 1.52	3
76200-032	.763 / 19.38	.783 / 19.89	.905 / 22.99	.060 / 1.52	3
76200-032LF	.763 / 19.38	.783 / 19.89	.905 / 22.99	.060 / 1.52	3
76200-033	.573 / 14.55	.593 / 15.06	1.240 / 31.50	.585 / 14.86	3
76200-033LF	.573 / 14.55	.593 / 15.06	1.240 / 31.50	.585 / 14.86	3
76200-034	.573 / 14.55	.593 / 15.06	1.430 / 36.32	.775 / 19.69	3
76200-034LF	.573 / 14.55	.593 / 15.06	1.430 / 36.32	.775 / 19.69	3

PLATING CODE	PLATING	UNDERPLATING
1	30µ" [0.76µ] Au	50µ" [1.27µ] Ni
2	UNASSIGNED	
3	50µ" [1.27µ] Au	50µ" [1.27µ] Ni
4	TIN LEAD OPTION LF OPTION (NOTE 12)	120µ" [3.05µ] 93/7 SnPb 100µ" [2.54µ] Sn
5	30µ" [0.76µ] GXT™	50µ" [1.27µ] Ni
6	15µ" [0.38µ] GXT™	50µ" [1.27µ] Ni
7	UNASSIGNED	
8	UNASSIGNED	
9	15µ" [0.38µ] Au	50µ" [1.27µ] Ni

DISCONTINUED

mat'l. code	surface	tolerance	projection	product family
SEE NOTE 1	ASME Y14.5 ✓	ASME Y14.5		PIN PRODUCTS
tr	ecn no	dr	date	tolerances unless otherwise specified
				angles
				0°±2'
				dr
				engr
				chr
				appd
sheet	revision			
index	sheet			

INCH/MM	scale 1:1	product family
		PIN PRODUCTS
		title
		BERGPOST® LOOSE PIECE
		WITH RETENTION NICKS
		dwg no
		76200
		sheet 2 of 4
		size
		A4
		type
		CUSTOMER Drawing

form A4mmLc

1

2

3

4

Copyright FCJ



FCJconnect.com

1

2

3

4

PRODUCT NUMBER NOTE 11	CONTACT AREA DIM A	DIM H	OVERALL LENGTH DIM L	DIM R	PLATING CODE
76200-035	.698 / 17.73	.718 / 18.24	1.485 / 37.72	.705 / 17.91	3
76200-035LF	.698 / 17.73	.718 / 18.24	1.485 / 37.72	.705 / 17.91	3
76200-036	.228 / 5.79	.248 / 6.30	.370 / 9.40	.060 / 1.52	3
76200-036LF	.228 / 5.79	.248 / 6.30	.370 / 9.40	.060 / 1.52	3
76200-037	.573 / 14.55	.593 / 15.06	.895 / 22.73	.240 / 6.10	3
76200-037LF	.573 / 14.55	.593 / 15.06	.895 / 22.73	.240 / 6.10	3
76200-038	.448 / 11.38	.468 / 11.89	.590 / 14.99	.060 / 1.52	3
76200-038LF	.448 / 11.38	.468 / 11.89	.590 / 14.99	.060 / 1.52	3
76200-039	.485 / 12.32	.505 / 12.83	.960 / 24.38	.393 / 9.98	OBSOLETE
76200-039LF	.485 / 12.32	.505 / 12.83	.960 / 24.38	.393 / 9.98	4
76200-040	.380 / 9.65	.400 / 10.16	.522 / 13.26	.060 / 1.52	1
76200-040LF	.380 / 9.65	.400 / 10.16	.522 / 13.26	.060 / 1.52	1
76200-041	.583 / 14.81	.603 / 15.32	1.000 / 25.40	.335 / 8.51	1
76200-041LF	.583 / 14.81	.603 / 15.32	1.000 / 25.40	.335 / 8.51	1
76200-042	.520 / 13.21	.540 / 13.72	.912 / 23.16	.320 / 8.13	1
76200-042LF	.520 / 13.21	.540 / 13.72	.912 / 23.16	.320 / 8.13	1
76200-043	.558 / 14.17	.578 / 14.68	.700 / 17.78	.060 / 1.52	3
76200-043LF	.558 / 14.17	.578 / 14.68	.700 / 17.78	.060 / 1.52	3
76200-044	.615 / 15.62	.628 / 15.95	1.010 / 25.65	.320 / 8.13	3
76200-044LF	.615 / 15.62	.628 / 15.95	1.010 / 25.65	.320 / 8.13	3
76200-045	.323 / 8.20	.343 / 8.71	.465 / 11.81	.060 / 1.52	OBSOLETE
76200-045LF	.323 / 8.20	.343 / 8.71	.465 / 11.81	.060 / 1.52	4
76200-046	SUPERCEDED BY 76200-069				
76200-047	.240 / 6.10	.260 / 6.60	.732 / 18.59	.410 / 10.41	1
76200-047LF	.240 / 6.10	.260 / 6.60	.732 / 18.59	.410 / 10.41	1
76200-048	.390 / 9.91	.410 / 10.41	1.075 / 27.31	.603 / 15.32	1
76200-048LF	.390 / 9.91	.410 / 10.41	1.075 / 27.31	.603 / 15.32	1
76200-049	.380 / 9.65	.400 / 10.16	.710 / 18.03	.248 / 6.30	3
76200-049LF	.380 / 9.65	.400 / 10.16	.710 / 18.03	.248 / 6.30	3
76200-050	.368 / 7.82	.328 / 8.33	.450 / 11.43	.060 / 1.52	OBSOLETE
76200-050LF	.368 / 7.82	.328 / 8.33	.450 / 11.43	.060 / 1.52	4
76200-051	.630 / 16.00	.650 / 16.51	1.122 / 28.50	.410 / 10.41	1
76200-051LF	.630 / 16.00	.650 / 16.51	1.122 / 28.50	.410 / 10.41	1
76200-052	.390 / 9.91	.410 / 10.41	1.122 / 28.50	.650 / 16.51	1
76200-052LF	.390 / 9.91	.410 / 10.41	1.122 / 28.50	.650 / 16.51	1

PRODUCT NUMBER NOTE 11	CONTACT AREA DIM A	DIM H	OVERALL LENGTH DIM L	DIM R	PLATING CODE
76200-053	.255 / 6.48	.275 / 6.99	.772 / 19.61	.435 / 11.05	3
76200-053LF	.255 / 6.48	.275 / 6.99	.772 / 19.61	.435 / 11.05	3
76200-054	.255 / 6.48	.275 / 6.99	.642 / 16.31	.305 / 7.75	3
76200-054LF	.255 / 6.48	.275 / 6.99	.642 / 16.31	.305 / 7.75	3
76200-055	.651 / 16.54	.671 / 17.04	.793 / 20.14	.060 / 1.52	1
76200-055LF	.651 / 16.54	.671 / 17.04	.793 / 20.14	.060 / 1.52	1
76200-056	.600 / 12.70	.620 / 13.21	.640 / 16.26	.058 / 1.47	OBSOLETE
76200-056LF	.500 / 12.70	.520 / 13.21	.640 / 16.26	.058 / 1.47	4
76200-057	.250 / 6.35	.270 / 6.86	.572 / 14.53	.240 / 6.10	1
76200-057LF	.250 / 6.35	.270 / 6.86	.572 / 14.53	.240 / 6.10	1
76200-058	.250 / 6.35	.270 / 6.86	.390 / 9.91	.058 / 1.47	1
76200-058LF	.250 / 6.35	.270 / 6.86	.390 / 9.91	.058 / 1.47	1
76200-059	.750 / 19.05	.770 / 19.56	.892 / 22.66	.060 / 1.52	1
76200-059LF	.750 / 19.05	.770 / 19.56	.892 / 22.66	.060 / 1.52	1
76200-060	.380 / 9.65	.400 / 10.16	.880 / 22.35	.418 / 10.62	1
76200-060LF	.380 / 9.65	.400 / 10.16	.880 / 22.35	.418 / 10.62	1
76200-061	.280 / 7.11	.300 / 7.62	.552 / 14.02	.190 / 4.83	1
76200-061LF	.280 / 7.11	.300 / 7.62	.552 / 14.02	.190 / 4.83	1
76200-062	.338 / 8.59	.358 / 9.09	.478 / 12.14	.058 / 1.47	1
76200-062LF	.338 / 8.59	.358 / 9.09	.478 / 12.14	.058 / 1.47	1
76200-063	UNAVAILABLE				
76200-063LF	UNAVAILABLE				
76200-064	.380 / 9.65	.400 / 10.16	.960 / 24.38	.498 / 12.65	OBSOLETE
76200-064LF	.380 / 9.65	.400 / 10.16	.960 / 24.38	.498 / 12.65	4
76200-065	.698 / 17.73	.718 / 18.24	1.000 / 25.40	.225 / 5.72	OBSOLETE
76200-065LF	.698 / 17.73	.718 / 18.24	1.000 / 25.40	.225 / 5.72	4
76200-066	.755 / 19.18	.775 / 19.69	1.260 / 32.00	.420 / 10.67	1
76200-066LF	.755 / 19.18	.775 / 19.69	1.260 / 32.00	.420 / 10.67	1
76200-067	.228 / 5.79	.248 / 6.30	.368 / 9.35	.058 / 1.47	OBSOLETE
76200-067LF	.228 / 5.79	.248 / 6.30	.368 / 9.35	.058 / 1.47	4
76200-068	.250 / 6.35	.270 / 6.86	.650 / 16.51	.318 / 8.08	1
76200-068LF	.250 / 6.35	.270 / 6.86	.650 / 16.51	.318 / 8.08	1

A

A

B

B

form A4mmXc

1

2

3

4

mat'l code	surface	tolerance	projection	product family
SEE NOTE 1	ASME Y14.5 ✓	ASME Y14.5		PIN PRODUCTS
tr	ecn no	dr	date	tolerances unless otherwise specified
N				angles
				0°±2'
				dr
				enrg
				chr
				appd
sheet	revision			
index	sheet			

INCH/MM	scale 1:1	FCJ	title
			BERGPOST® LOOSE PIECE WITH RETENTION NICKS
			dwg no 76200
			sheet 3 of 4
			size A4
			type CUSTOMER Drawing

Copyright FCJ



FCJconnect.com

1

2

3

4

PRODUCT NUMBER NOTE 11	CONTACT AREA DIM A	DIM H	OVERALL LENGTH DIM L	DIM R	PLATING CODE
76200-069	.583 / 14.81	.603 / 15.32	1.075 / 27.31	.410 / 10.41	1
76200-069LF	.583 / 14.81	.603 / 15.32	1.075 / 27.31	.410 / 10.41	1
76200-070	.558 / 14.17	.578 / 14.68	.695 / 17.65	.055 / 1.40	1
76200-070LF	.558 / 14.17	.578 / 14.68	.695 / 17.65	.055 / 1.40	1
76200-071	.390 / 9.91	.410 / 10.41	1.075 / 27.31	.603 / 15.32	1
76200-071LF	.390 / 9.91	.410 / 10.41	1.075 / 27.31	.603 / 15.32	1
76200-072	.240 / 6.10	.260 / 6.60	.732 / 18.59	.410 / 10.41	1
76200-072LF	.240 / 6.10	.260 / 6.60	.732 / 18.59	.410 / 10.41	1
76200-073	.630 / 16.00	.650 / 16.51	1.122 / 28.50	.410 / 10.41	1
76200-073LF	.630 / 16.00	.650 / 16.51	1.122 / 28.50	.410 / 10.41	1
76200-074	.390 / 9.91	.410 / 10.41	1.122 / 28.50	.650 / 16.51	1
76200-074LF	.390 / 9.91	.410 / 10.41	1.122 / 28.50	.650 / 16.51	1
76200-075	.573 / 14.55	.593 / 15.06	.895 / 22.73	.240 / 6.10	OBSOLETE
76200-075LF	.573 / 14.55	.593 / 15.06	.895 / 22.73	.240 / 6.10	4
76200-076	.308 / 7.82	.328 / 8.33	.445 / 11.30	.055 / 1.40	1
76200-076LF	.308 / 7.82	.328 / 8.33	.445 / 11.30	.055 / 1.40	1
76200-077	.558 / 14.17	.578 / 14.68	.695 / 17.65	.055 / 1.40	OBSOLETE
76200-077LF	.558 / 14.17	.578 / 14.68	.695 / 17.65	.055 / 1.40	4
76200-078	.400 / 10.16	.420 / 10.67	.892 / 22.66	.410 / 10.41	1
76200-078LF	.400 / 10.16	.420 / 10.67	.892 / 22.66	.410 / 10.41	1
76200-079	.630 / 16.00	.650 / 16.51	.770 / 19.56	.058 / 1.47	1
76200-079LF	.630 / 16.00	.650 / 16.51	.770 / 19.56	.058 / 1.47	1
76200-080	.583 / 14.81	.603 / 15.32	1.075 / 27.31	.410 / 10.41	9
76200-080LF	.583 / 14.81	.603 / 15.32	1.075 / 27.31	.410 / 10.41	9
76200-081	.558 / 14.17	.578 / 14.68	.700 / 17.78	.060 / 1.52	9
76200-081LF	.558 / 14.17	.578 / 14.68	.700 / 17.78	.060 / 1.52	9
76200-082	.390 / 9.91	.410 / 10.41	1.075 / 27.31	.603 / 15.32	9
76200-082LF	.390 / 9.91	.410 / 10.41	1.075 / 27.31	.603 / 15.32	9
76200-083	.240 / 6.10	.260 / 6.60	.732 / 18.59	.410 / 10.41	9
76200-083LF	.240 / 6.10	.260 / 6.60	.732 / 18.59	.410 / 10.41	9
76200-084	.630 / 16.00	.650 / 16.51	1.122 / 28.50	.410 / 10.41	9
76200-084LF	.630 / 16.00	.650 / 16.51	1.122 / 28.50	.410 / 10.41	9
76200-085	.390 / 9.91	.410 / 10.41	1.122 / 28.50	.650 / 16.51	9
76200-085LF	.390 / 9.91	.410 / 10.41	1.122 / 28.50	.650 / 16.51	9

PRODUCT NUMBER NOTE 11	CONTACT AREA DIM A	DIM H	OVERALL LENGTH DIM L	DIM R	PLATING CODE
76200-086	.308 / 7.82	.328 / 8.33	.450 / 11.43	.060 / 1.52	9
76200-086LF	.308 / 7.82	.328 / 8.33	.450 / 11.43	.060 / 1.52	9
76200-087	.400 / 10.16	.420 / 10.67	.892 / 22.66	.410 / 10.41	9
76200-087LF	.400 / 10.16	.420 / 10.67	.892 / 22.66	.410 / 10.41	9
76200-088	.630 / 16.00	.650 / 16.51	.770 / 19.56	.058 / 1.47	9
76200-088LF	.630 / 16.00	.650 / 16.51	.770 / 19.56	.058 / 1.47	9
76200-089	.630 / 16.00	.650 / 16.51	1.122 / 28.50	.410 / 10.41	OBSOLETE
76200-089LF	.630 / 16.00	.650 / 16.51	1.122 / 28.50	.410 / 10.41	4
76200-090	.636 / 16.15	.650 / 16.51	1.122 / 28.50	.410 / 10.41	3
76200-090LF	.636 / 16.15	.650 / 16.51	1.122 / 28.50	.410 / 10.41	3
76200-091	.573 / 14.55	.593 / 15.06	.895 / 22.73	.240 / 6.10	9
76200-091LF	.573 / 14.55	.593 / 15.06	.895 / 22.73	.240 / 6.10	9
76200-092	.485 / 12.32	.505 / 12.83	.960 / 24.38	.393 / 9.98	1
76200-092LF	.485 / 12.32	.505 / 12.83	.960 / 24.38	.393 / 9.98	1

A

A

B

B

form A4mmXLC

1

2

3

4

mat'l. code		surface	tolerance	projection	product family
SEE NOTE 1		ASME Y14.5 ✓	ASME Y14.5		PIN PRODUCTS
l/r	ec'n no	dr	date	title	
N				BERGPOST® LOOSE PIECE WITH RETENTION NICKS	
tolerances unless otherwise specified		angles	fa	INCH/MM	scale 1:1
		0°±2'	XXX+01/XX+3		
			XXX+005/XXX+13		
			XXXX+0020/XXX+051		
dr	E. KROPIEWICKI		1996-06-04		dwg no
engr	L. FYE		1996-06-04		sheet 4 of 4
chr	T. BREWBAKER		1996-06-04		size A4
appd	L. FYE		1996-06-04	type	CUSTOMER Drawing
sheet index	revision sheet				