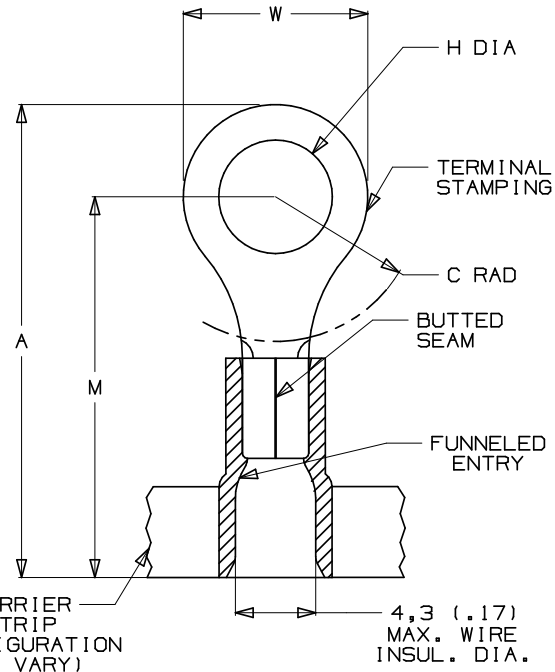


THIS COPY IS PROVIDED ON A RESTRICTED BASIS AND IS NOT TO BE USED IN ANY WAY DETRIMENTAL TO THE INTERESTS OF PANDUIT CORP.



PART NUMBER	STUD SIZE	WIRE RANGE mm ² (AWG)	DIMENSIONS mm				
			A ^{±.80} (.03)	W ^{±.25} (.01)	C ^{±.38} (.01)	M ^{±.50} (.02)	H ^{±.50} (.02)
PMV2-3RB-3K	M3	1,5-2,5 (16-14)	21,3 (.84)	5,8 (.23)	5,1 (.20)	16,3 (.64)	3,3 (.13)
PMV2-35RB-3K	M3.5	1,5-2,5 (16-14)	21,3 (.84)	5,8 (.23)	5,1 (.20)	16,3 (.64)	3,7 (.15)
PMV2-4RB-3K	M4	1,5-2,5 (16-14)	23,9 (.94)	7,9 (.31)	6,5 (.26)	17,8 (.70)	4,6 (.18)
PMV2-5RB-3K	M5	1,5-2,5 (16-14)	24,4 (.96)	8,9 (.35)	6,5 (.26)	17,8 (.70)	5,3 (.21)
PMV2-6RB-3K	M6	1,5-2,5 (16-14)	26,7 (1.05)	10,9 (.43)	9,7 (.38)	21,1 (.83)	6,9 (.27)

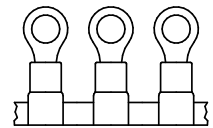
NOTES:

- USED FOR:
 - 600V MAX. BUILDING WIRE
1000V MAX. IN SIGNS, FIXTURES, AND LUMINAIRES
 - 105°C (221°F) MAX. TEMP. RATING OF INSUL. MAT'L
C. STRANDED COPPER WIRE ONLY
- PACKAGE QTY:
3K = 3000 PCS. ON CONTINUOUSLY MOLDED CARRIER STRIP
- MATERIAL:
 - STAMPING: .81 (.03) THK. COPPER, TIN PLATED
 - HOUSING: BLUE VINYL
- WIRE STRIP LENGTH: $6,4^{+.8}_{-0}$ ($1/4^{+1/32}$)
- DIMENSIONS IN BRACKETS ARE IN INCHES OR AWG
- UL LISTED AND CSA CERTIFIED WITH COPPER 16-14 AWG ONLY



		PANDUIT PRESS					
		CP-851 <i>DISCONTINUED</i>	CP-860 <i>DISCONTINUED</i>	CP-861	CP-862	CP-871 60HZ	CP-871/E 50HZ
APPLICATORS	CA-800		X	X			
	CA-800EZ	X				X	X
	CA9				X	X	X

 LISTED 587H E52164
 CERTIFIED LR31212



A41614_02

REV	DATE	BY	CHK	DESCRIPTION	ECN #	CUST	PM	DRAWN BY	CHK'D	SCALE	DRAWING NO.
02	3/06	DAW	DAW	ADDED PANDUIT PRESS & APPLICATOR CHART							
01	3/01	SAB	SKB	ADDED PART NUMBER PMV2-35RB-3K, AND ADDED CP-862, CA-9, AND CD9-2A,B TO NOTE 5	09323	JAC	TRO				
00	9/97	TM	WJB	DRAWING RELEASED	06191	LA	DBH				
								T SMA	WJB	NONE	A41614

 **PANDUIT** CORP. TINLEY PARK, ILLINOIS

2 PC. CONTINUOUSLY MOLDED VINYL INSULATED METRIC RINGS 1,5-2,5mm² BARREL