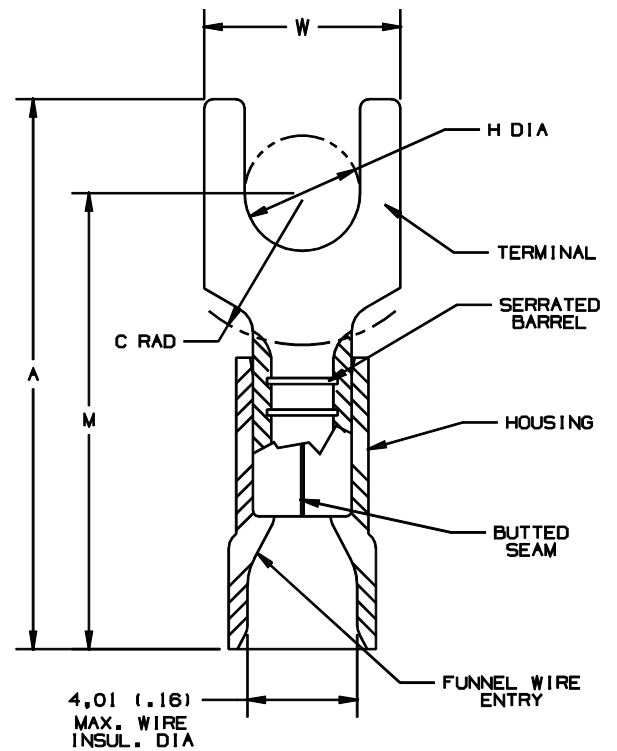


THIS COPY IS PROVIDED ON A RESTRICTED BASIS AND IS NOT TO BE USED IN ANY WAY DETRIMENTAL TO THE INTERESTS OF PANDUIT CORP.

PANDUIT PART NUMBER			DIMENSIONS mm				
PREFIX	PKG	STUD SIZE	A ±0.51	W ±0.25	C ±0.38	M ±0.51	H ±0.25
PMV1-3FB	-C -M	M3	21.59 (.85)	5.84 (.23)	4.83 (.19)	18.03 (.71)	3.30 (.13)
PMV1-4FB	-C -M	M4	23.11 (.91)	8.13 (.32)	5.84 (.23)	18.80 (.74)	4.32 (.17)
PMV1-5FB	-C -M	M5	23.62 (.93)	9.14 (.36)	6.10 (.24)	19.30 (.76)	5.08 (.20)
PMV1-6FB	-C -M	M6	27.94 (1.10)	11.18 (.44)	8.13 (.32)	21.59 (.85)	6.60 (.26)



NOTES:

- USED FOR:
 - A. 600V MAX. VOLTAGE RATING
 - B. 105°C (221°F) MAX. TEMP. RATING
 - C. 0.5-1.5mm² (#22-18 AWG), SOLID OR STRANDED, COPPER WIRE
- MATERIAL:
 - A. STAMPING - 0.81mm (.03) THK COPPER, TIN PLATED
 - B. HOUSING - RED VINYL
- DIMENSIONS IN BRACKETS ARE IN INCHES.
- PACKAGING QTY:
 - A. STD. -C = 100
 - B. BULK -M = 1000

A41426_02

02	7/01	JAMB		ADDED PACKAGING CODE TO TABLE AND NOTES.						PANDUIT CORP. TINLEY PARK, ILLINOIS 2PC. VINYL INSULATED METRIC FORKS 0.5-1.5mm ² BARREL	
01	1/01	RM	SKB	FILESPEC WAS A41426A:::1.L1	08937	TRO	JAC				
00	7-90	JV	RLS	RELEASED	00756	RM	LCA				
REV	DATE	BY	CHK	DESCRIPTION	ECN #	PM	CUST	DRAWN BY	CHK'D	SCALE	DRAWING NO.
								JMV	RLS	NONE	A41426