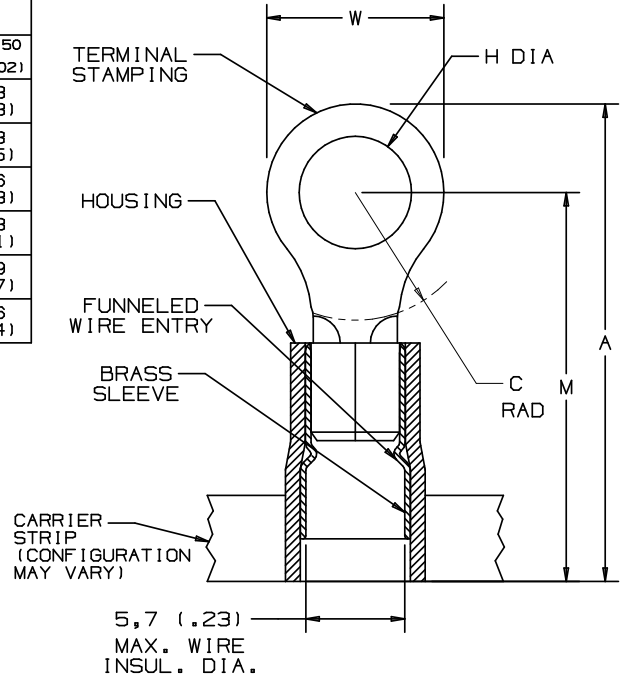


THIS COPY IS PROVIDED ON A RESTRICTED BASIS AND IS NOT TO BE USED IN ANY WAY DETRIMENTAL TO THE INTERESTS OF PANDUIT CORP.

PART NUMBER	STUD SIZE	WIRE RANGE mm <sup>2</sup> (AWG)	DIMENSIONS mm				
			A ±.80 (.03)	W ±.25 (.01)	C ±.38 (.01)	M ±.50 (.02)	H ±.50 (.02)
PMNF6-3R-2K	M3	2,5-6,0 (12-10)	24,7 (.97)	5,8 (.23)	7,9 (.31)	21,7 (.86)	3,3 (.13)
PMNF6-35R-2K	M3,5	2,5-6,0 (12-10)	24,7 (.97)	5,8 (.23)	7,9 (.31)	7,9 (.31)	3,8 (.15)
PMNF6-4R-2K	M4	2,5-6,0 (12-10)	25,7 (1.04)	7,9 (.31)	7,9 (.31)	21,7 (.86)	4,6 (.18)
PMNF6-5R-2K	M5	2,5-6,0 (12-10)	26,4 (1.04)	9,7 (.38)	7,9 (.31)	21,7 (.86)	5,3 (.21)
PMNF6-6R-2K	M6	2,5-6,0 (12-10)	29,0 (1.14)	10,9 (.43)	9,7 (.38)	23,6 (.93)	6,9 (.27)
PMNF6-8R-2K	M8	2,5-6,0 (12-10)	30,0 (1.18)	13,2 (.52)	9,7 (.38)	23,6 (.93)	8,6 (.34)

NOTES:

- USED FOR:
  - 600V MAX. BUILDING WIRE
  - 1000V MAX. IN SIGNS, FIXTURES, AND LUMINAIRES
  - 105°C (221°F) MAX. TEMP. RATING OF INSUL. MAT'L.
  - SOLID OR STRANDED COPPER WIRE
- PACKAGE QTY:  
2K = 2000 PCS. ON CONTINUOUSLY MOLDED CARRIER STRIP
- MATERIAL:
  - STAMPING: 1,02 (.04)THK. COPPER, TIN PLATED
  - SLEEVE: BRASS, TIN PLATED
  - HOUSING: TYPE 6/6 NYLON, YELLOW
- WIRE STRIP LENGTH:  $8,7^{+8}_{-0}$  (11/32<sup>+1/32</sup>)
- DIMENSIONS IN BRACKETS ARE IN INCHES OR AWG
- UL LISTED AND CSA CERTIFIED WITH COPPER 12-10AWG WIRE ONLY



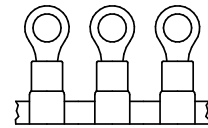
		PANDUIT PRESS					
		CP-851 <i>DISCONTINUED</i>	CP-860 <i>DISCONTINUED</i>	CP-861	CP-862	CP-871 60HZ	CP-871/E 50HZ
APPLICATORS	CA-800		X	X			
	CA-800EZ	X				X	X
	CA9				X	X	X



LISTED  
587H  
E52164



CERTIFIED  
LR31212



A41603\_01

**PANDUIT** CORP.

TINLEY PARK, ILLINOIS

01	3/06	DAW	DAW	ADDED PMNF6-35R-2K AND PANDUIT PRESS AND APPLICATOR CHART	TRO0083			
00	9/97	TM		RELEASED	6191	LCA	DBH	2,0-6,0 mm <sup>2</sup> METRIC CONTINUOUSLY MOLDED, NYLON INSULATED, FUNNEL ENTRY RING TERMINAL
REV	DATE	BY	CHK	DESCRIPTION	ECN #	CUST	PM	DRAWN BY TSM/CHK'D SCALE NONE DRAWING NO. A41603