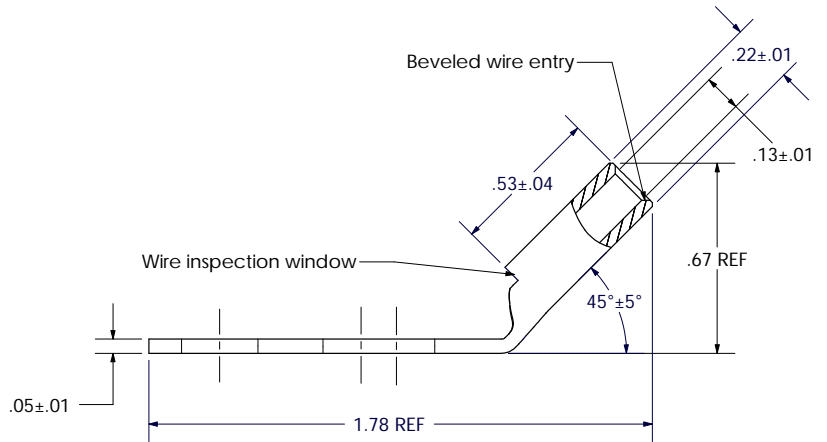
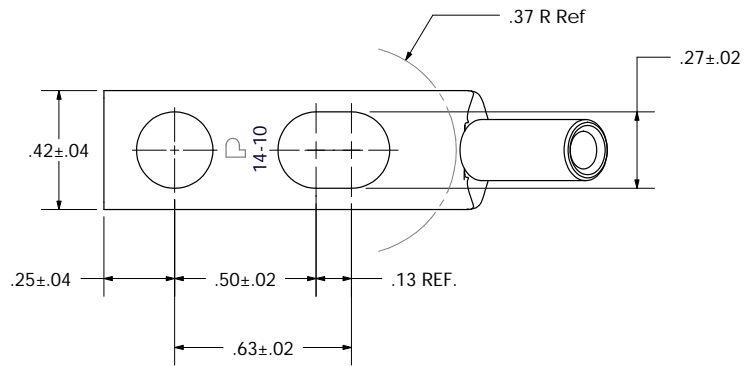


THIS COPY IS PROVIDED ON A RESTRICTED BASIS AND IS NOT TO BE USED IN ANY WAY DETRIMENTAL TO THE INTERESTS OF PANDUIT CORP.

| | |
|--|--|
| Material | High Conductivity Seamless Copper Tube |
| Plating | Electro-Tin |
| Wire Size | 14 - 10 AWG STR, 12 - 10 AWG SOL |
| Wire Type | Stranded Copper; Class B: Compact, Compressed or Concentric, Class C: Concentric |
| Wire Strip Length | 9/16 in. |
| Stud Size | 1/4 in. |
| UL Listed Wire Connector | Yes, for applications up to 35kv. Consult cable manufacturer for voltage stress relief instructions with applications greater than 2000 volts. |
| UL Temperature Rating | 90° C |
| C.S.A Certified Wire Connector | Yes |
| Panduit Color Code on Barrel | N/A |
| Panduit Die Index No. on Barrel | N/A |
| Alternate Industry Die Index No. () on Barrel | N/A |



| | | | | | | |
|-----|-------|------|------|-------------------|--|--------------|
| | | | | | PANDUIT CORP. TINLEY PARK, ILLINOIS | |
| | | | | | LCC10-14JAWH-L Copper Lug - Slotted Two-Hole, Long Barrel with Window, 45° Angle Tongue | |
| 01 | 12/04 | JHNU | JHNU | REVISED WIRE SIZE | 12305 | |
| REV | DATE | BY | CHK | DESCRIPTION | ECN | SCALE N/A |
| | | | | | DRAWING NO / CAD FILE LCC10-14JAWH-CUST | |