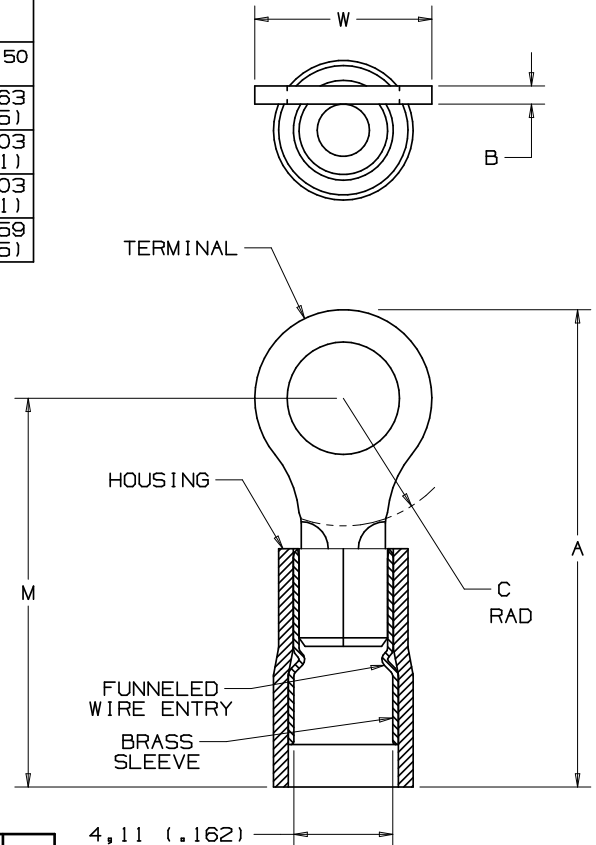


THIS COPY IS PROVIDED ON A RESTRICTED BASIS AND IS NOT TO BE USED IN ANY WAY DETRIMENTAL TO THE INTERESTS OF PANDUIT CORP.

PART NUMBER	STUD SIZE	WIRE RANGE mm <sup>2</sup>	DIMENSIONS mm				
			A ±.50	W ±.25	C ±.38	B ±.25	M ±.50
PMNF2-3R	M3	1,5-2,5 (16-14)	19,35 (.76)	5,88 (.23)	4,78 (.19)	,81 (.03)	16,63 (.65)
PMNF2-4R	M4	1,5-2,5 (16-14)	21,84 (.86)	7,87 (.31)	7,37 (.29)	,81 (.03)	18,03 (.71)
PMNF2-5R	M5	1,5-2,5 (16-14)	22,35 (.88)	8,92 (.35)	7,37 (.29)	,81 (.03)	18,03 (.71)
PMNF2-6R	M6	1,5-2,5 (16-14)	26,50 (1.04)	10,92 (.43)	10,67 (.42)	,81 (.03)	21,59 (.85)

NOTES:

- USED FOR:
  - A. 600V MAX. VOLTAGE RATING
  - B. 105°C (221°F) MAX. TEMP. RATING
  - C. SOLID & STRANDED COPPER WIRE
- PACKAGE QTY:
  - X =10, -C =100, -M =1000
- MATERIAL:
  - A. STAMPING: ETP 110 COPPER, TIN PLATED
  - B. HOUSING: TYPE 6/6 NYLON, BLUE
- WIRE STRIP LENGTH:  $5,6^{+,8}_{-0}$  ( $7/32^{+1/32}_{-0}$ )
- INSTALLATION TOOLS: REF DWGS.  
A41522, A41523, A41524, A41525
- DIMENSIONS IN BRACKETS ARE IN INCHES OR AWG



07	10/06	DAW	DAW	ADDED -X PACKAGING CODE	TRO0171	LCA	TRO
06	10/97	TM	WJB	CHANGED DECIMAL POINTS TO COMMAS	06431	LCA	DH
05	9/96	JB	RS	UPDATE DIMENSIONS	05057	LA	DH
04	11/95	ED	RLS	UPDATE NOTES AND REVISED DIMENSIONS	03790	LA	KS
03	1/92	BK	RS	CHANGED COMMAS TO PERIODS #5 WAS A41511, #1C ADDED COPPER	00765	LA	KS
02	12/91	DL	LM	PMNF2-6R A WAS 27.43, W WAS 11.68	00722	LA	KS
REV	DATE	BY	CHK	DESCRIPTION	ECN #	CUST	PM

4,11 (.162)  
MAX. WIRE  
INSUL. DIA.

A41516-07

**PANDUIT**

TINLEY PARK, ILLINOIS

1,5-2,5 mm<sup>2</sup> METRIC NYLON INSULATED,  
FUNNELED ENTRY RING TERMINAL

DRAWN BY	CHK'D	SCALE	DRAWING NO.
BDK	LM	NONE	A41516