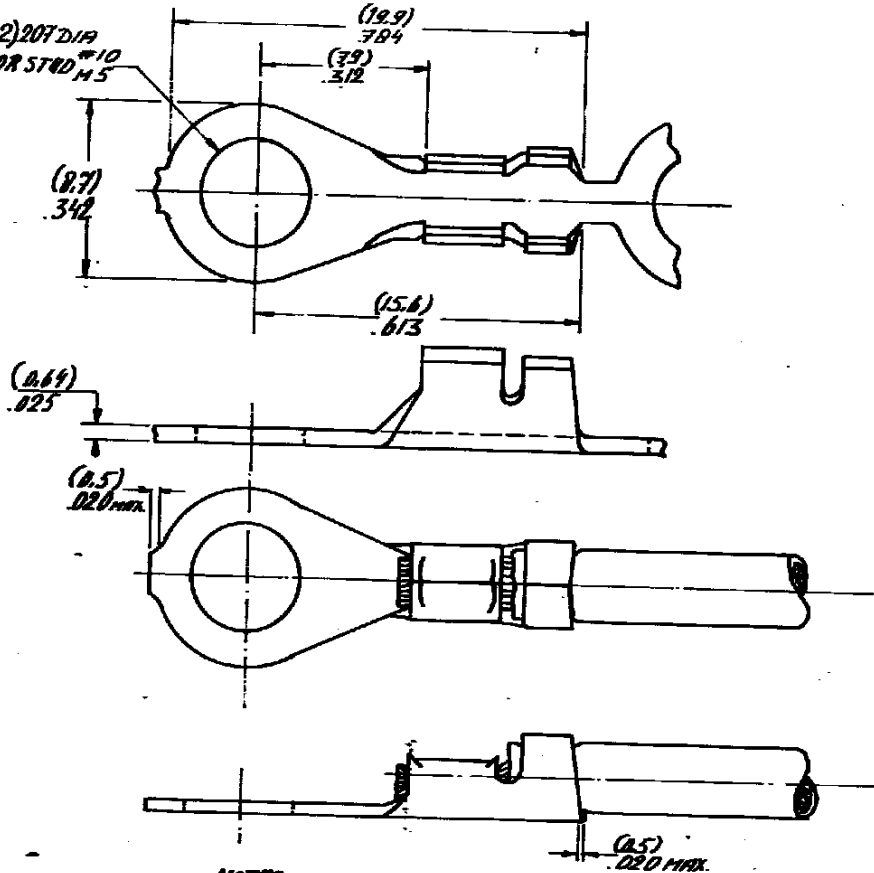


DRAWING MADE IN AMERICAN PROJECTION

PART NUMBER C.160102

(5.2) 207 DIA  
#10  
FOR STD H.5



- NOTES:**
- ⚠ FOR USE ON MINIATURE APPLICATORS (LEFT-RIGHT FEED) AMP & MOTOR APPLICATION
  - ⚠ FOR USE ON STANDARD AND MINIATURE APPLICATORS
  - ⚠ REELED WITH PAPER COVER

DIMENSIONS IN ( ) ARE DO NOT SCALE PRINT

160102-6	PHOSPH BRONZE	-H	⚠
160102-5	BRASS	-H	⚠
160102-4	BRASS	-H	⚠
160102-3	PHOSPH BR	-H	⚠
160102-2	BRASS	TIN	⚠
160102-1	BRASS	-H	⚠

**CUSTOMER COPY FOR REFERENCE ONLY**

©1980 BY AMP-HOLLAND N.V. ALL RIGHTS RESERVED AMP PRODUCTS COVERED BY PATENTS AND/OR PATENTS PENDING.



ORDER NO.	MATERIAL	PLATING
160102-5	BRASS	-H
160102-2	BRASS	TIN

TYPE RANGE 20-18 AWG (0.6-4.3 mm 300-5.0)	SHAPE RANGE 800-120 DIA	FIRST USED
SCALE N.T.S.	SIZE A	NO C.160102

FOR: **SUSTEREN** DATE: **4-80** DE: **16.00** DATE: **29.1.80**

NAME: **RINGTONGUE** WITH INS. SUPPORT