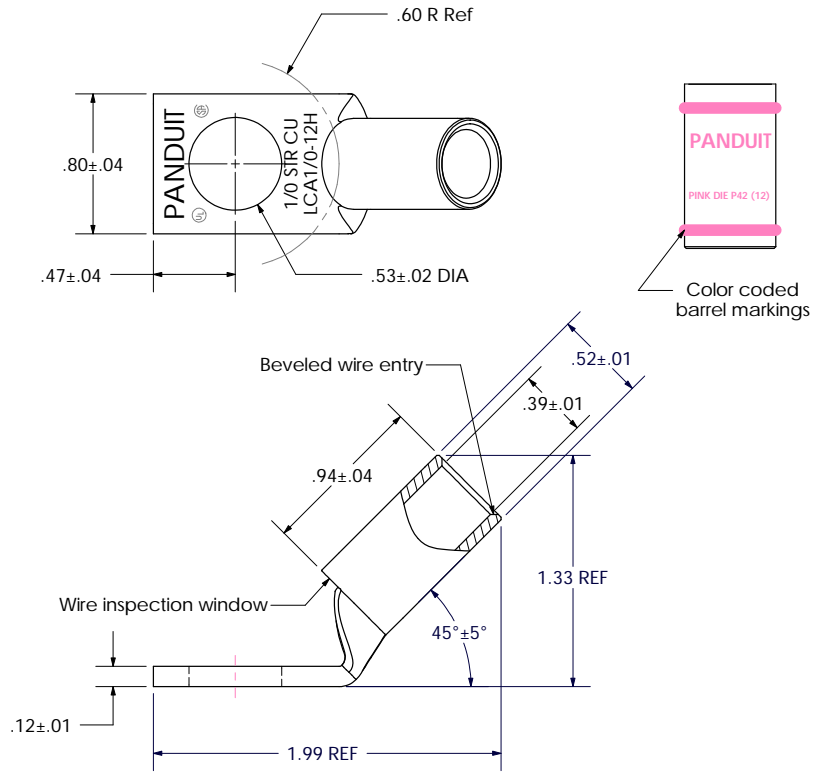


THIS COPY IS PROVIDED ON A RESTRICTED BASIS AND IS NOT TO BE USED IN ANY WAY DETRIMENTAL TO THE INTERESTS OF PANDUIT CORP.

Material	High Conductivity Seamless Copper Tube
Plating	Electro-Tin
Wire Size	1/0 AWG
Wire Type	Stranded Copper; Class B: Compact, Compressed or Concentric, Class C: Concentric
Wire Strip Length	1.0 in.
Stud Size	1/2 in.
UL Listed Wire Connector	Yes, for applications up to 35kv. Consult cable manufacturer for voltage stress relief instructions with applications greater than 2000 volts.
UL Temperature Rating	90° C
C.S.A Certified Wire Connector	Yes
Panduit Color Code on Barrel	PINK
Panduit Die Index No. on Barrel	P42
Alternate Industry Die Index No. ( ) on Barrel	(12)



				<b>PANDUIT CORP. TINLEY PARK, ILLINOIS</b>			
				LCA1/0-12H-X Copper Lug - One-Hole, Standard Barrel, 45° Angle Tongue			
01	12/05	DRL	DRL	ADDED UL, CSA & PART NO. TO STAMP	PC00235	SCALE	N/A
<b>REV</b>	<b>DATE</b>	<b>BY</b>	<b>CHK</b>	<b>DESCRIPTION</b>	<b>ECN</b>	<b>DRAWING NO / CAD FILE</b>	
						LCA1_0-12H-CUST	