

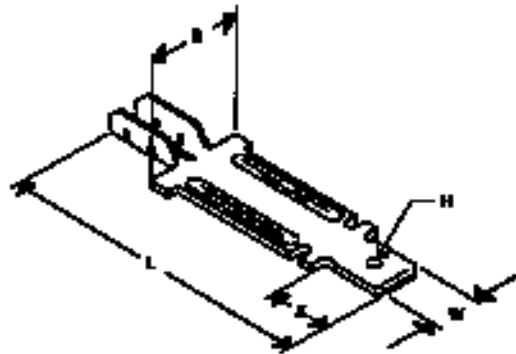
FASTON Tabs

**312 and 250 Series
(High Temperature [343° C
to 371° C])**

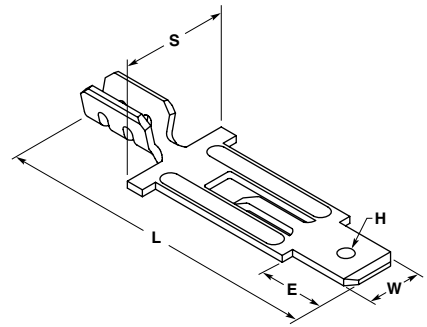
Tyco Electronics offers a variety of FASTON tabs in an assortment of configurations. The product line includes various weld type tabs, stud mounted tabs and wire crimp tabs. Also included in the product offering are high temperature tabs and test tabs.

Tyco Electronics' high-temperature tab is designed to crimp to heating element wire. The tab end protrudes through a ceramic/high-temperature housing for mating with either a standard 250 or 312 FASTON receptacle.

Stock Thickness — .032 [0.81]

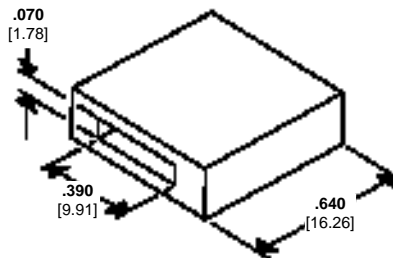
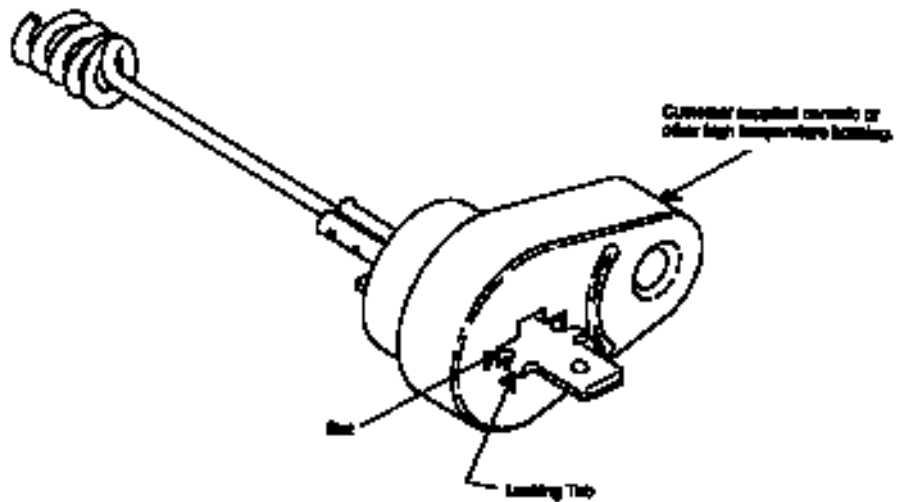


Style A



Style	Series	Solid Wire Range AWG	Tab Thickness	Dimensions					Material and Finish	Terminal Part No. ¹
				L	W	E	S	H		
A	312	22-15	.032	1.570	.312	.387	.500	Hole	Nickel Plated Steel	63300-1
			0.81	39.88	7.92	9.83	12.70			
	250	22-15	.032	1.500	.250	.312	.500	Dimple	Nickel Plated Steel	63301-1
			0.81	38.10	6.35	7.92	12.70			
B	250	20-15	.032	1.500	.250	.312	.500	Dimple	Nickel Plated Steel	63104-1
			0.81	38.10	6.35	7.92	12.70			
	22-15	20-15	.032	1.500	.250	.312	.370	Dimple	Nickel Plated Steel	1217006-1
			0.81	38.10	6.35	7.92	9.40			

¹ Contact Technical Support for Tooling Application.



Recommended Housing

FASTON Tabs

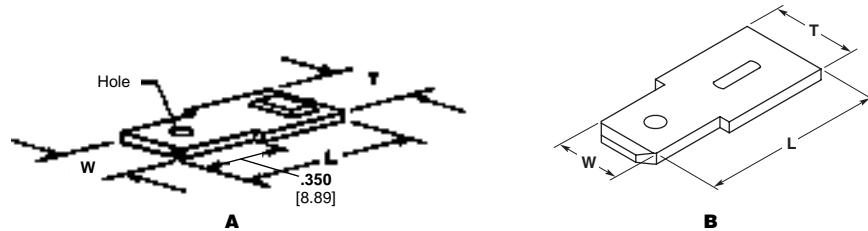
FASTON Tabs (Continued)

312 Series and 250 Series FASTON Tabs

(Mates with all "312" and "250" Series FASTON Receptacles)

312 and 250 Series Weld Type Tabs

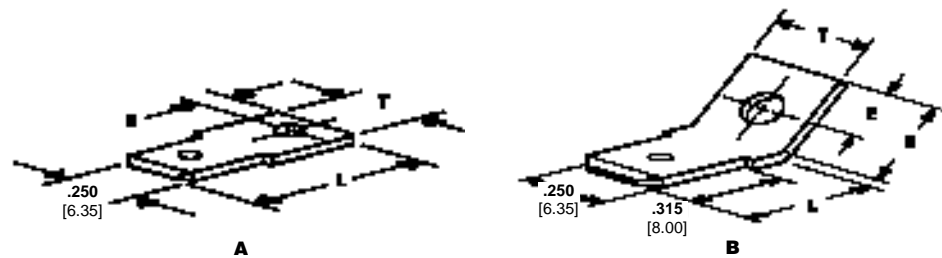
Stock Thickness — .032 [0.81]



Style	Dimensions			Material and Finish	Terminal Part No.
	W	L	T		
A	.312 7.92	.550 13.97	.375 9.53	Nickel Plated Steel	63770-1
B	.250 6.35	.825 20.96	.375 9.53	Nickel Plated Steel	1217002-1

250 Series Stud Mount Type Tabs

Stock Thickness — .032 [0.81]
Dimple (Both Sides)



Style	Stud Diameter	Dimensions				Material and Finish	Terminal Part No.	A	SP
		B	L	E	T				
A	.177 4.50	—	.715 18.16	.170 4.32	.295 7.49	Brass	63038-2	X	—
			.715 18.16	.170 4.32	.295 7.49	Tin Plated Brass	63038-1	X	X
	—	—	.635 16.13	—	.295 7.49	Nickel Plated Steel	42559-1	X	X
			.171 4.34	—	.940 23.88	.125 3.18	.280 7.11	Brass	1217558-1
	—	—			.940 23.88	.125 3.18	.280 7.11	Tin Plated Brass	1217558-2
			B	.130 3.30	.300 7.62	.400 10.16	.170 4.32	.295 7.49	Tin Plated Brass
.145 3.68	.300 7.62	.400 10.16				.170 4.32	.295 7.49	Tin Plated Brass	42822-4
.171 4.34	.330 8.38	.375 9.53		.170 4.32	.295 7.49	Brass	60465-1	X	X
						Tin Plated Brass	60465-2	X	X
.203 5.16	.330 8.38	.375 9.53		.170 4.32	.295 7.49	Tin Plated Brass	61365-1	X	X
						.197 5.00	.330 8.38	.375 9.53	.170 4.32

FASTON Tabs

Electronics

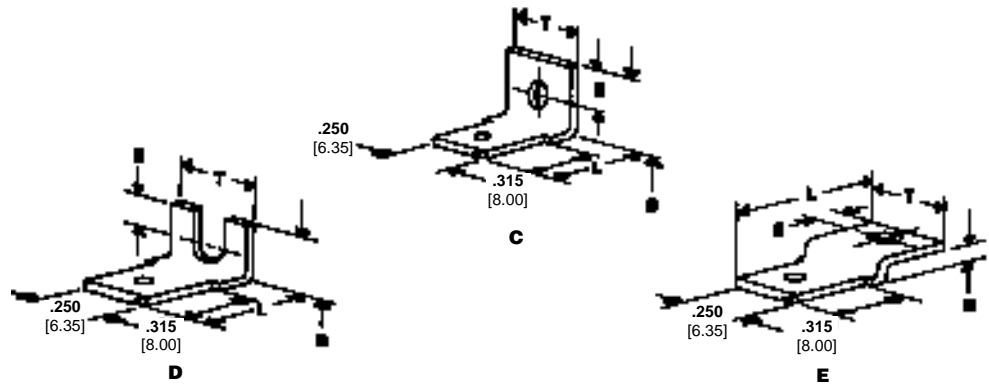
**250 Series
Stud Mount Type Tabs**

(Continued)

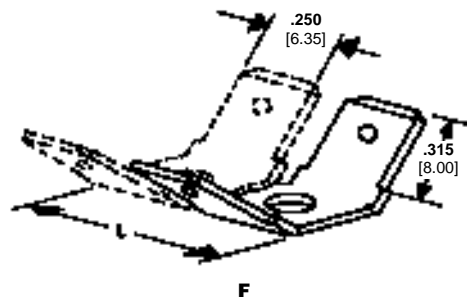
Stock Thickness — .032 [0.81]

Dimple (Both Sides)

FASTON Tabs (Continued)



Style	Stud Diameter	Dimensions				Material and Finish	Terminal Part No.	UL	SP
		B	L	E	T				
C	.097 2.46	.250 6.35	.440 11.18	.093 2.36	.295 7.49	Brass	41339	X	X
	.130 3.30	.330 8.38	.440 11.18	.170 4.32	.295 7.49	Tin Plated Brass	42095-1	X	X
		.270 6.86	.440 11.18	.110 2.79	.295 7.49	Tin Plated Brass	42117-2	X	X
	.171 4.34	.330 8.38	.440 11.18	.170 4.32	.295 7.49	Brass	42214-1	X	X
		.313 7.95	.656 16.67	.125 3.18	.250 6.35	Tin Plated Brass	62314-2	X	X
	.203 5.16	.472 11.99	.394 10.00	—	.295 7.49	Tin Brass	63971-1	—	—
D	.125 3.18	.235 5.97	.440 11.18	.125 3.18	.295 7.49	Brass	41398	X	X
	.171 4.34	.330 8.38	.440 11.18	.120 3.05	.205 5.20	Brass	62166-1	X	X
E	.130 3.30	.068 1.73	.615 15.62	.093 2.36	.295 7.49	Tin Plated Brass	42506-2	X	X



Style	Pairs	Stud Diameter	Dim. L	Material and Finish	Terminal Part No.	UL	SP
F	2	.130 3.30	.690 17.53	Tin Plated Brass	41478	X	X
		.171 4.34	.690 17.53	Brass	41617	X	X
	4	.130 3.30	1.455 36.96	Tin Plated Brass	41484	X	X

FASTON Tabs

Electronics

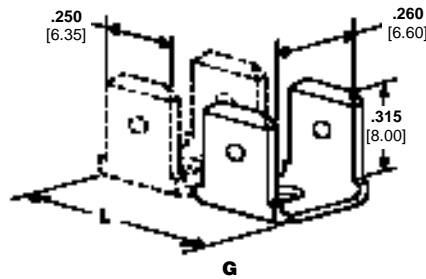
250 Series Stud Mount Type Tabs

(Continued)

Stock Thickness — .032 [0.81]

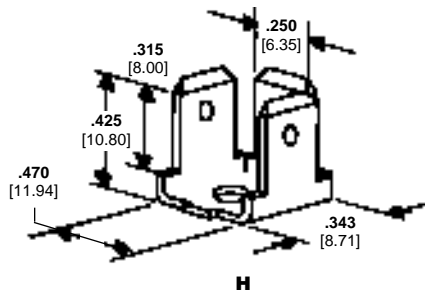
Dimple (Both Sides)

FASTON Tabs (Continued)



Style	Pairs	Stud Diameter	Dim. L	Material and Finish	Terminal Part No.	UL	CSA
G	1	.130 3.30	.315 8.00	Brass	41290	X	X
	2	.130 3.30	.690 17.53	Brass	41291	X	X
	3	.130 3.30	1.065 27.05	Brass	41292	X	X
	4	.130 3.30	1.440 36.58	Brass	41370	X	X
	1	.130 3.30	.315 8.00	Tin Plated Brass	41480	X	X
	2	.130 3.30	.690 17.53	Tin Plated Brass	41481	X	X
	3	.130 3.30	1.065 27.05	Tin Plated Brass	41482	X	X
	—	.130 3.30	—	Tin Plated Brass	42115-4 ¹	X	X
				Brass	42115-6 ¹	X	X
				Brass	41619	X	X
1		.171 4.34	.315 8.00	Tin Plated Brass	42802-1	X	X
		.097 2.46	.315 8.00	Tin Plated Brass	60080-2	X	X

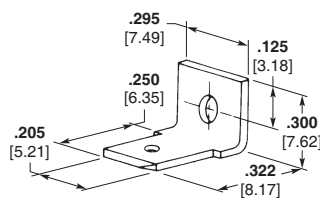
¹ In continuous strip-form.



Style	Stud Diameter	Material and Finish	Terminal Part No.	UL	CSA
H	.130 3.30	Brass	62261-1	X	X

205 Series Stud Mount Type Tabs

Tab Thickness — .032 [0.81]

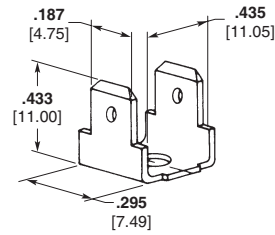


Stud Diameter	Material and Finish	Terminal Part No.	UL	CSA
.145 3.68	Brass	62168-1	X	X
.130 3.30	Brass	61836-1	X	X

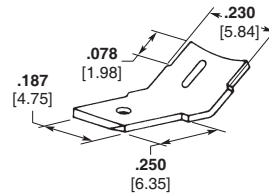
**187 Series
Stud Mount Type Tabs —
Hole in Tab**

FASTON Tabs

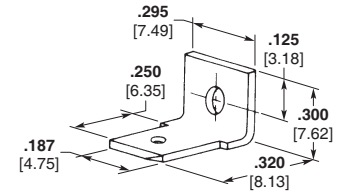
FASTON Tabs (Continued)



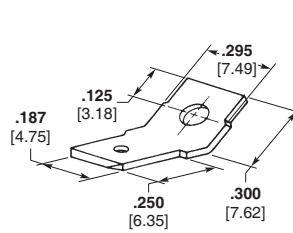
A



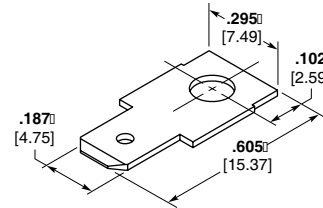
B



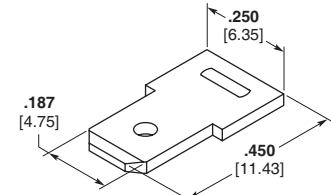
C



D



E



F

Style	Stud Diameter	Stock Thickness	Material and Finish	Terminal Part No.	UL	CSA
A	.130 3.30	.020 0.51	Tin Plated Brass	61951-1	X	X
	.197 5.00	.020 0.51	Tin Plated Brass	61914-1	X	X
B	—	.020 0.51	Nickel Plated Steel	61960-1 ^{1,2}	X	X
C	.145 3.68	.020 0.51	Tin Plated Brass	61407-3	X	X
	.130 3.30	.020 0.51	Tin Plated Brass	61761-2 ²	X	X
D	.145 3.68	.020 0.51	Brass	62576-1 ²	X	X
	.171 4.34	.020 0.51	Tin Plated Brass	61664-1 ²	X	X
E	.130 3.30	.020 0.51	Tin Plated Brass	63946-1	—	—
	.145 3.68	.020 0.51	Tin Plated Brass	1742041-1	—	—
F	—	.032 0.81	Nickel Plated Steel	63771-1 ¹	—	—

¹ Weld tab.
² Bent 45°.

FASTON Tabs (Continued)

250 Series Wire Crimp Tabs

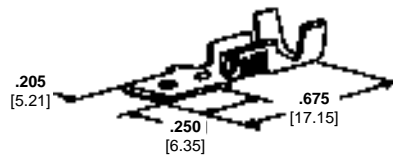


Wire Range AWG	Style	Tab Thickness	Insulation Diameter	Material and Finish	Stock Thickness	L (Overall Length)	UL	RA	SR	Terminal Part No.
22-18	B	.032 0.81	.080-.120 2.03-3.05	Brass	.015 0.38	.815 20.70	—	X	X	42475-3
		.032 0.81	.080-.120 2.03-3.05	Brass, Tin Plated	.015 0.38	.815 20.70	—	X	X	42475-4
18-14	A	.032 0.81	.080-.120 2.03-3.05	Brass, Tin Plated	.032 0.81	.500 12.70	X	—	X	42770-2
	B	.032 0.81	.110-.150 2.79-3.81	Brass	.015 0.38	.810 20.57	—	X	X	42474-3
		.032 0.81	.110-.150 2.79-3.81	Brass, Tin Plated	.015 0.38	.810 20.57	—	X	X	42474-4
	C	.032 0.81	.120-.170 3.05-4.32	Brass	.032 0.81	.775 19.69	X	—	X	41411
		.032 0.81	.120-.170 3.05-4.32	Brass, Tin Plated	.032 0.81	.775 19.69	X	—	X	41412
		.032 0.81	.120-.170 3.05-4.32	Brass	.032 0.81	.775 19.69	X	—	X	63761-1 ¹
14-12	B	.032 0.81	.110-.170 2.79-4.32	Brass, Tin Plated	.015 0.38	.810 20.57	—	X	X	61281-3
		.032 0.81	.110-.170 2.79-4.32	Brass, Silver Plated	.015 0.38	.810 20.57	—	X	X	61362-2

¹ Hole.

205 Series Wire Crimp Tabs

Stock Thickness — .020 [0.51]



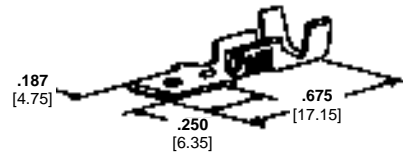
A — 205 Series Wire Crimp

Wire Range AWG	Style	Tab Thickness	Insulation Diameter	Material and Finish	UL	RA	SR	Terminal Part No.
18-14	A	.020 0.51	.120-.150 3.05-3.81	Brass, Tin Plated	X	—	X	62531-1
		.020 0.51	.120-.150 3.05-3.81	Brass, Tin Plated	X	—	X	63223-1 ¹

¹ No hole.

FASTON Tabs (Continued)

187 Series Wire Crimp Tabs



A — 187 Series Wire Crimp

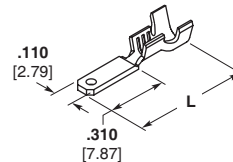
Wire Range AWG	Style	Tab Thickness	Insulation Diameter	Material and Finish	Stock Thickness	UL	RA	SP	Terminal Part No.
22-18	A	.020 0.51	.080-.120 2.03-3.05	Brass, Tin Plated	.020 0.51	X	—	X	42490-3
		.020 0.51	.080-.120 2.03-3.05	Brass	.020 0.51	X	—	X	42490-4
18-14	A	.020 0.51	.120-.150 3.05-3.81	Brass	.020 0.51	X	—	X	60850-1
		.020 0.51	.120-.150 3.05-3.81	Brass, Tin Plated	.020 0.51	X	—	X	60850-2
		.032 0.81	.120-.150 3.05-3.81	Brass, Tin Plated	.032 0.81	X	—	X	61687-2 ¹

¹ Premilled dual stock thickness, Tab .032 [0.81], body .016 [0.41].

110 Series Wire Crimp Tabs



A - 110 Series Wire Crimp



B — 110 Series Wire Crimp Tab with Insulation Support

Wire Range AWG	Style	Tab Thickness	Insulation Diameter	Material and Finish	Stock Thickness (Overall Length)	L Length	UL	RA	SP	Terminal Part No.
26-22	A	.020 0.51	—	Brass, Tin Plated	.020 0.51	.490 12.45	X	—	X	62887-1
		.020 0.51	—	Brass, Copper over Tin Plated	.020 0.51	.490 12.45	X	—	X	62887-2
22-18	A	.032 0.81	—	Brass, Tin Plated	.020 0.51	.490 12.45	X	—	X	63932-1
		.020 0.51	—	Brass, Pre-Tin Plated	.020 0.51	.485 12.32	X	—	X	62122-1
	.020 0.51	—	Brass, Pre-Tin Plated	.020 0.51	.570 14.48	X	—	X	62384-1	
	B	.032 0.81	.070-.130 1.78-3.30	Brass, Tin Plated	.032 0.81	.625 15.88	X	—	X	63138-1
20-16	A	.020 0.51	—	Brass, Pre-Tin Plated	.020 0.51	.570 14.48	—	—	—	1217118-1 ¹

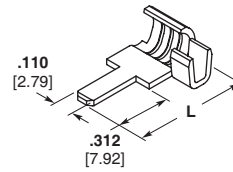
¹ .052 [1.32] Dia. Hole.

.060 Series Wire Crimp Tabs

Stock Thickness — .032 [0.81]



A - .060 Series Wire Crimp



B — .060 Series Wire Crimp Tab with Insulation Support

Wire Range AWG	Style	Tab Thickness	Insulation Diameter	Material and Finish	L (Overall Length)	UL	RA	SP	Terminal Part No.
23-19	A	.032 0.81	—	Brass, Tin Plated	.740 18.80	X	—	X	63497-1 ¹
22-16	A	.032 0.81	—	Brass, Tin Plated	.740 18.80	X	—	X	63893-1
		.032 0.81	—	Brass, Tin Plated	.740 18.80	X	—	X	63753-1 ¹
18-14	B	.032 0.81	.080-.120 2.03-3.05	Brass, Tin Plated	.500 12.70	—	—	—	1217591-1

¹ AMPLIVAR Connector Type Serrations for Magnet Wire.

250 Series Test Tabs
(Mate with all "250" Series FASTON Receptacles)

The mechanical tab is mounted onto AMP gauge 100505 for testing of receptacle insertion/extraction requirements. Double-ended test tabs are also available for electrical and temperature rise testing. Tyco Electronics has readily available a variety of UL 310 constructed tabs for mechanical testing of FASTON, Ultra-Fast FASTON and Positive Lock receptacles. These tabs are designed for electrical test setups as outlined in UL 310 (See instruction sheet 408-7432 for recommended procedure mechanical test).

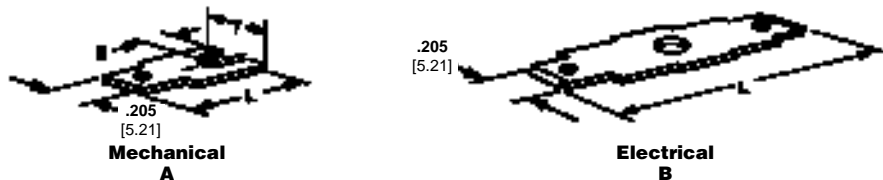
FASTON Tabs (Continued)



Style	Stud Diameter	Stock Thickness	Dimensions			Material and Finish	UL	SP	Terminal Part No.
			L	E	T				
A	.125 3.18	.032 0.81	.625 15.88	.125 3.18	.295 7.49	Brass	X	X	60447-1 ^{1,3}
		.020 0.51	.635 16.13	.125 3.18	.295 7.49	Brass	—	—	63633-1 ²
		.032 0.81	.625 15.88	.125 3.18	.295 7.49	Brass	—	—	63274-1 ²
B	.145 3.68	.032 0.81	1.010 25.65	—	—	Tin Plated Steel	—	—	62627-1 ³
						Brass	—	—	62627-2 ³
						Brass	—	—	62627-3 ²

¹ Mechanical test tab for use with AMP gauge number 100505.
² Test tab with hole for Positive Lock.
³ Dimple.

205 Series Test Tabs

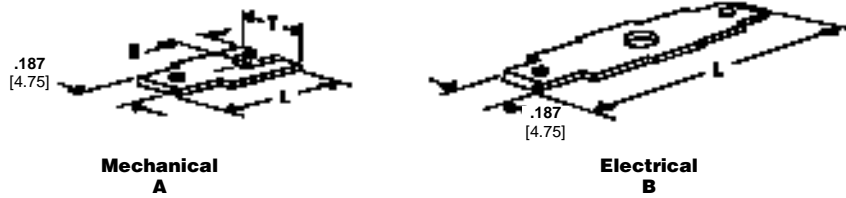


Style	Hole Diameter	Stock Thickness	B	Dimensions			Material and Finish	UL	SP	Terminal Part No.
				L	E	T				
A	.125 3.18	.020 0.51	—	.605 15.37	.090 2.29	.295 7.49	Brass	X	X	60613-1 ¹
		.032 0.81	—	.605 15.37	.090 2.29	.295 7.49	Brass	X	X	60613-2 ¹
B	.145 3.68	.020 0.51	—	1.276 32.41	—	—	Tin Plated Steel	—	—	60921-4
		.032 0.81	—	1.276 32.41	—	—	Brass	—	—	60922-1
		.020 0.51	—	1.276 32.41	—	—	Brass	—	—	60921-1
		.032 0.81	—	1.276 32.41	—	—	Tin Plated Steel	—	—	60922-5

¹ Mechanical test tab for use with AMP gauge number 100505.

FASTON Tabs (Continued)

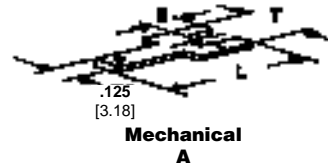
187 Series Test Tabs
(Mates with all "187" Series Receptacles)



Style	Pairs	Stud Diameter	Stock Thickness	Dimensions			Material and Finish	UL	SP	Terminal Part No.	
				L	E	T					
A	—	.125 3.18	.020	.605	.090	.295	Brass	X	X	60443-1 [†]	
			0.51	15.37	2.29	7.49	Tin Plated Brass	—	—	60443-5 [†]	
			.032	0.81	15.37	2.29	7.49	Brass	—	—	63248-1 [†]
								Brass	X	X	60443-2 [†]
								Tin Plated Brass	X	X	60443-6
								Brass	—	—	63248-2
B	1	.145 3.68	.020	1.276	—	—	Tin Plated Steel	X	X	60920-4	
			0.51	32.41	—	—	Tin Plated Brass	—	—	60920-5	
			.032	0.81	32.41	—	—	Brass	X	X	62298-1
								Tin Plated Steel	X	X	62298-2

[†] Test Tab with Hole.

125 Series Test Tabs
(Mates with all "125" Series Receptacles)



Style	Pairs	Stud Diameter	Stock Thickness	Dimensions			Material and Finish	UL	SP	Terminal Part No.
				L	E	T				
A	—	.125 3.18	.020 0.51	.570 14.48	.090 2.29	.295 7.49	Brass	—	—	63747-1

110 Series Test Tabs
(Mates with all "110" Series Receptacles)



Style	Stud Diameter	Stock Thickness	Dimensions			Material and Finish	UL	SP	Terminal Part No.
			L	E	T				
A	.125 3.18	.020	.570	.090	.295	Brass	X	X	62061-1
		0.51	14.48	2.29	7.49	Brass	—	—	62061-2
		.032	.570	.090	.295				
B	.145 3.68	.016	.570	.090	.295	Brass	—	—	62061-3
		0.41	14.48	2.29	7.49	Tin Plated Steel	X	X	62628-1
		.020	1.151	—	—				
		0.51	29.24	—	—				
		.020	0.51	29.24	—	—	Brass	X	X

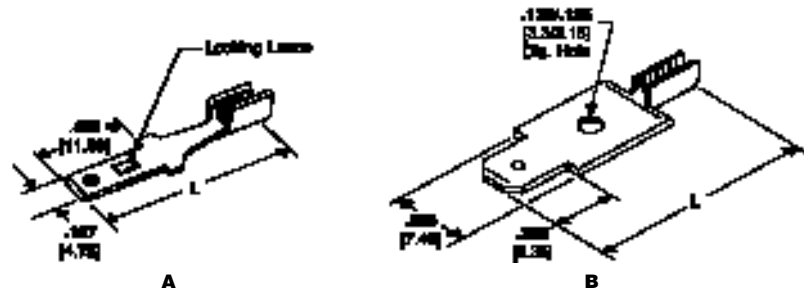
FASTON Tabs

AMPLIVAR Terminals

187 Series FASTON Tabs

Board Thickness —
A = .062–.072 [1.57–1.83]

Stock Thickness —
A = .020 [0.51]
B = .032 [0.81]



Style	Wire Range		Material	Dim. L	UL	SF	Part Number
	AWG	mm ²					
B	27-23	0.1-0.2	Tin Plated Brass	.935 23.75	—	—	63484-1 ²
A	22-16	0.3-1.4	Tin Plated Brass	1.015 25.78	—	—	62447-1
	15-12	1.6-3.0	Tin Plated Brass	1.015 25.78	—	—	62445-1

² Varnish resist coating.

250 Series FASTON Tabs

Stock Thickness — .032 [0.81]



Wire Range	Material	UL	SF	Part Number	Quick-Change Applicator ³
16-12	Tin Plated Brass	—	—	62922-1 ²	466510-1

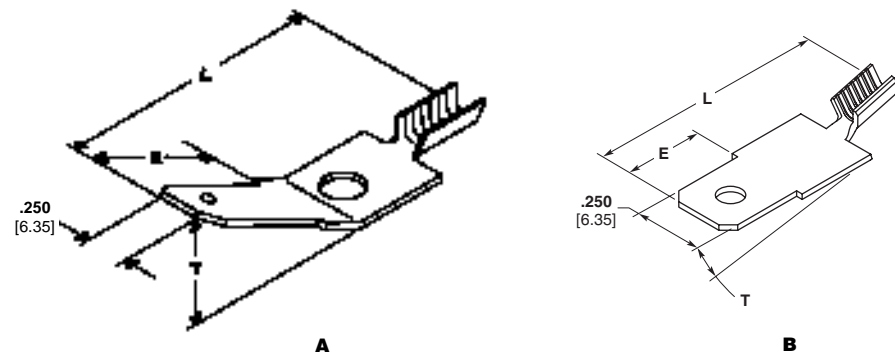
² Varnish resist coating.

³ Quick-Change Applicator for AMP-O-LECTRIC Machine 565435-5. For AMPOMATOR Machine and other machines not listed, contact Tyco Electronics.

250 Series FASTON Tabs

(Continued)

Stock Thickness — .032 [0.81]



Style	Wire Range			Material	Dimensions			UL	SF	Part Number
	CMA	AWG	mm ²		L	E	T			
A	200-566	27.5-23	—	Tin Plated Brass	.580 14.73	.342 8.69	45□	—	—	63136-1
	400-1,360	25-19.5	—	Tin Plated Brass	.650 16.51	.450 11.43	30□	—	—	63140-1
B	—	23-19	0.2-0.6	Tin Plated Brass	.225 5.72	.583 14.81	15□	—	—	63165-1