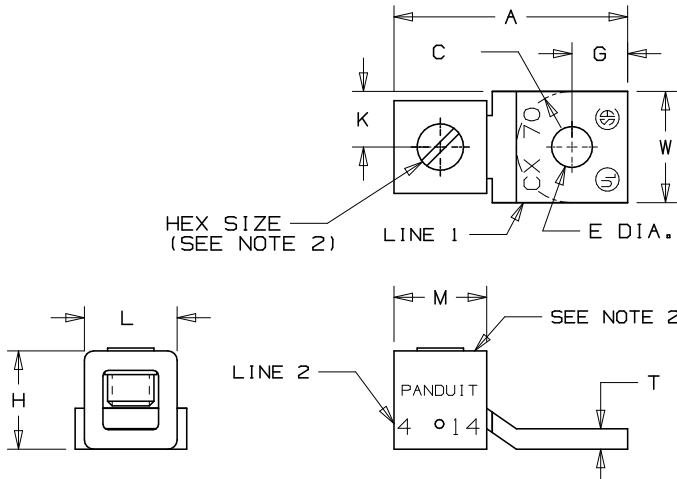


THIS COPY IS PROVIDED ON A RESTRICTED BASIS AND IS NOT TO BE USED IN ANY WAY DETRIMENTAL TO THE INTERESTS OF PANDUIT CORP.

**NOTES:**

- UL LISTED AND CSA CERTIFIED FOR:  
A. 600V MAX. VOLTAGE RATING.  
B. AMPERAGE LISTED IN TABLE.
- SLOTTED HEAD SCREW USED IF HEX SIZE IS NOT GIVEN.
- PACKAGE QTY. -Q=25  
-C=100
- ADDITIONAL MULTIPLE WIRE COMBINATIONS FOR CX70-14-C ARE:  
A. TWO-#14'S  
B. TWO-#12'S
- PANDUIT PART NUMBERS WITH A "T" ARE TIN PLATED.
- THESE PARTS ARE ROHS COMPLIANT.



| PANDUIT PART NUMBR | DIMENSIONS ± .02 |      |     |      |      |     |      |      |     | MAX. AMERAGE RATING | MARKINGS |              | HEX SIZE | C (MAX) |
|--------------------|------------------|------|-----|------|------|-----|------|------|-----|---------------------|----------|--------------|----------|---------|
|                    | G                | W    | K   | A    | M    | T   | H    | L    | E   |                     | LINE 1   | LINE 2       |          |         |
| CX35-36-CY         | .22              | .38  | .19 | 1.02 | .38  | .07 | .48  | .35  | .20 | 35                  | CX-35    | 6-14         | SCREW    | .22     |
| CX35-36T-CY        | .22              | .38  | .19 | 1.02 | .38  | .07 | .48  | .35  | .20 | 35                  | CX-35    | 6-14         | SCREW    | .22     |
| CX70-14-CY         | .31              | .50  | .25 | 1.27 | .50  | .08 | .57  | .46  | .27 | 70                  | CX-70    | 4-14         | SCREW    | .28     |
| CX70-14T-CY        | .31              | .50  | .25 | 1.27 | .50  | .08 | .57  | .46  | .27 | 70                  | CX-70    | 4-14         | SCREW    | .28     |
| CX125-14-QY        | .43              | .62  | .31 | 1.53 | .62  | .13 | .77  | .57  | .27 | 125                 | CX-125   | 1/0-4        | SCREW    | .41     |
| CX125-56T-QY       | .43              | .62  | .31 | 1.53 | .62  | .13 | .77  | .57  | .34 | 125                 | CX-125   | 1/0-4        | SCREW    | .41     |
| CX225-56-QY        | .56              | 1.00 | .50 | 2.19 | 1.00 | .13 | 1.13 | .85  | .34 | 225                 | CX-225   | 4/0-2        | 9/16     | .50     |
| CX225-56T-QY       | .56              | 1.00 | .50 | 2.19 | 1.00 | .13 | 1.13 | .85  | .34 | 225                 | CX-225   | 4/0-2        | 9/16     | .50     |
| CX225-38T-QY       | .56              | 1.00 | .50 | 2.19 | 1.00 | .13 | 1.13 | .85  | .38 | 225                 | CX-225   | 4/0-2        | 9/16     | .50     |
| CX400-38-3Y        | .88              | 1.50 | .75 | 3.16 | 1.38 | .19 | 1.65 | 1.13 | .44 | 400                 | CX-400   | 500kcmil-4/0 | 3/4      | .81     |
| *CX400-12T-3Y      | .88              | 1.50 | .75 | 3.16 | 1.38 | .19 | 1.65 | 1.13 | .50 | 400                 | CX-400   | 500kcmil-4/0 | 3/4      | .81     |

\* PART IS NOT UL OR CSA CERTIFIED

C41664\_00



TINLEY PARK, ILLINOIS

"CX" SERIES COPPER MECHANICAL LUGS

|     |      |      |     |                                   |         |      |    |          |       |       |      |             |        |  |
|-----|------|------|-----|-----------------------------------|---------|------|----|----------|-------|-------|------|-------------|--------|--|
| 00  | 3/06 | JHNU | LEM | DRAWING RELEASED - ROHS COMPLIANT | PC00348 |      |    |          |       |       |      |             |        |  |
| REV | DATE | BY   | CHK | DESCRIPTION                       | ECN #   | CUST | PM | DRAWN BY | CHK'D | SCALE | NONE | DRAWING NO. | C41664 |  |