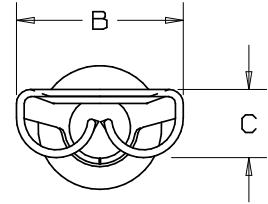


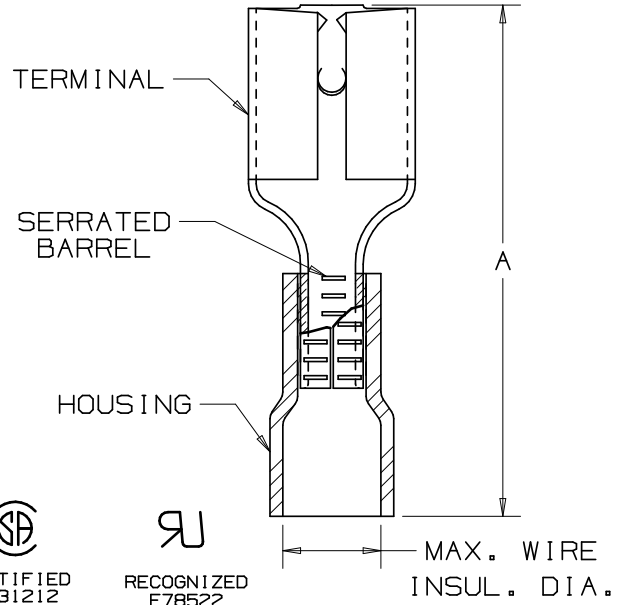
THIS COPY IS PROVIDED ON A RESTRICTED BASIS AND IS NOT TO BE USED IN ANY WAY DETRIMENTAL TO THE INTERESTS OF PANDUIT CORP.

PART NUMBER		TAB SIZE	WIRE RANGE AWG	MAX. INSUL. DIA.	DIMENSIONS in.			HOUSING COLOR
PREFIX	PK				A ±.03	B ±.01	C ±.01	
DV18-250B	-C -M -MY	.250 X .032 (6,3 X 0,8)	22-18 (0,5-1,0)	.150 (3,8)	.81 (20,6)	.29 (7,4)	.12 (3,0)	RED
*DV14-250B	-C -M	.250 X .032 (6,3 X 0,8)	16-14 (1,5-2,5)	.170 (4,3)	.81 (20,6)	.29 (7,4)	.12 (3,0)	BLUE



NOTES:

- UL LISTED, UL RECOGNIZED (DV14-250B ONLY), CSA CERTIFIED FOR:  
A. 600V. MAX. VOLTAGE RATING  
B. STRANDED COPPER WIRE ONLY  
C. 221° F (105° C) MAX. TEMP. RATING
- MATERIAL:  
A. STAMPING - .016" (0.41) THK BRASS, TIN PLATED  
B. HOUSING - VINYL
- PACKAGE QTY: STD. PKG. -C=100  
BULK PKG. -M=1000, -MY=1000
- INITIAL INSERTION FORCE - 12 LB. (53 N.) MAX  
INITIAL WITHDRAWAL FORCE - 12 LB. (53 N.) MAX  
6 LB. (27 N.) MIN
- DIMENSIONS IN BRACKETS ARE IN MILLIMETERS
- INSTALLATION TOOLS:  
A. UL LISTED AND CSA CERTIFIED: CT-520, CT-1525  
B. UL RECOGNIZED: CT-520, CT-1525
- WIRE STRIP LENGTH: 1/4 <sup>+1/32</sup><sub>-0</sub> (6.3 <sup>+0.8</sup><sub>-0</sub>)



09	6/06	DAW	DAW	REMOVED MAX. AMPERAGE NOTE	TRO0134				
08	5/05	JHNU		ADDED PACKAGING CODE "MY" TO DRAWING.					
07	7/03	KLFU	SKB	UPDATED DRAWING	12453	TRO	SKB		
06	5/99	JKD	SKB	ADDED CT-1525 TOOL	07634	TRO	JCJ		
05	10/94	MS	RS	UPDATED NOTES AND DIMENSIONS	02531	JM	LA		
REV	DATE	BY	CHK	DESCRIPTION	ECN #	PM	APP	DRAWN BY	CHK'D

**PANDUIT** CORP.

TINLEY PARK, ILLINOIS

FEMALE DISCONNECT, VINYL INSULATED  
(.250 SERIES)

DRAWN BY	DAW	CHK'D	LA	SCALE	NONE	DRAWING NO.	A41307
----------	-----	-------	----	-------	------	-------------	--------

A41307\_09