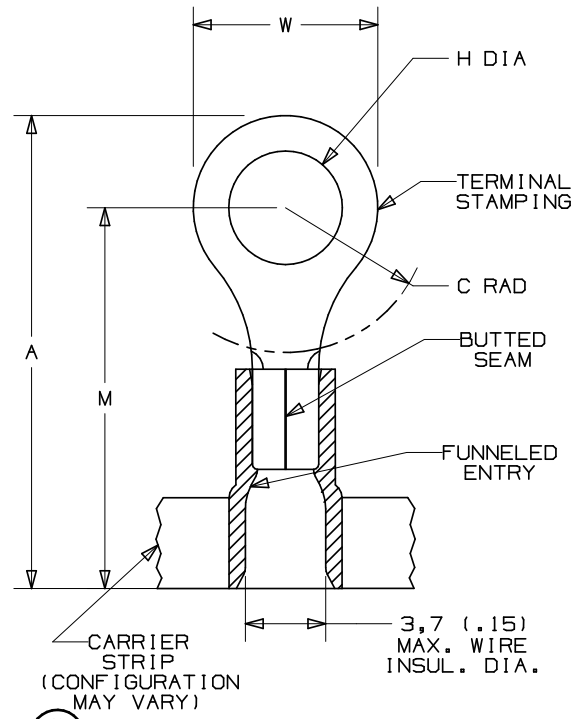


THIS COPY IS PROVIDED ON A RESTRICTED BASIS AND IS NOT TO BE USED IN ANY WAY DETRIMENTAL TO THE INTERESTS OF PANDUIT CORP.

PART NUMBER	STUD SIZE	WIRE RANGE mm ² (AWG)	DIMENSIONS mm				
			A ^{±.80} (.03)	W ^{±.25} (.01)	C ^{±.38} (.01)	M ^{±.50} (.02)	H ^{±.50} (.02)
PMV1-3RB-3K	M3	0,5-1,0 (22-18)	19,3 (.76)	5,8 (.23)	5,2 (.20)	16,5 (.65)	3,3 (.13)
PMV1-35RB-3K	M3.5	0,5-1,0 (22-18)	19,3 (.76)	5,8 (.23)	5,2 (.20)	16,5 (.65)	3,7 (.15)
PMV1-4RB-3K	M4	0,5-1,0 (22-18)	21,8 (.86)	7,9 (.31)	6,4 (.25)	17,8 (.70)	4,6 (.18)
PMV1-5RB-3K	M5	0,5-1,0 (22-18)	22,4 (.88)	8,9 (.35)	6,4 (.25)	17,8 (.70)	5,3 (.21)
PMV1-6RB-3K	M6	0,5-1,0 (22-18)	26,4 (1.04)	10,9 (.43)	9,7 (.38)	21,1 (.83)	6,9 (.27)

NOTES:

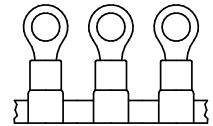
- USED FOR:
 - 600V MAX. BUILDING WIRE
 - 1000V MAX. IN SIGNS, FIXTURES, AND LUMINAIRES
 - 105°C (221°F) MAX. TEMP. RATING OF INSUL. MAT'L
 - SOLID OR STRANDED COPPER WIRE
- PACKAGE QTY:
 - 3K = 3000 PCS. ON CONTINUOUSLY MOLDED CARRIER STRIP
- MATERIAL:
 - STAMPING: .81 (.03)THK. COPPER, TIN PLATED
 - HOUSING: RED VINYL
- WIRE STRIP LENGTH: $6,4^{+.8}_{-0}$ (1/4^{+1/32}₋₀)
- DIMENSIONS IN BRACKETS ARE IN INCHES OR AWG
- UL LISTED AND CSA CERTIFIED WITH COPPER 22-18 AWG WIRE ONLY



		PANDUIT PRESS					
		CP-851 <i>DISCONTINUED</i>	CP-860 <i>DISCONTINUED</i>	CP-861	CP-862	CP-871 60HZ	CP-871/E 50HZ
APPLICATORS	CA-800		X	X			
	CA-800EZ	X				X	X
	CA9				X	X	X


LISTED
587H
E52164


CERTIFIED
LR31212



A41613_02

REV	DATE	BY	CHK	DESCRIPTION	ECN #	CUST	PM	DRAWN BY	CHK'D	SCALE	NONE	DRAWING NO.	A41613
02	3/06	DAW	DAW	ADDED PANDUIT PRESS & APPLICATOR CHART		TRO0083							
01	3/01	SAB	SKB	ADDED PART NUMBER PMV1-35RB-3K, ADDED CP-862, CA-9, AND CD9-1A TO NOTE 5, AND WIRE RANGE WAS 0,5-1,5		09321	JAC	TRO					
00	9/97	TM	WJB	DRAWING RELEASED		06191	LA	DBH					
<p>PANDUIT CORP. TINLEY PARK, ILLINOIS</p> <p>2 PC. CONTINUOUSLY MOLDED VINYL INSULATED METRIC RINGS 0,5-1,0mm² BARREL</p>													