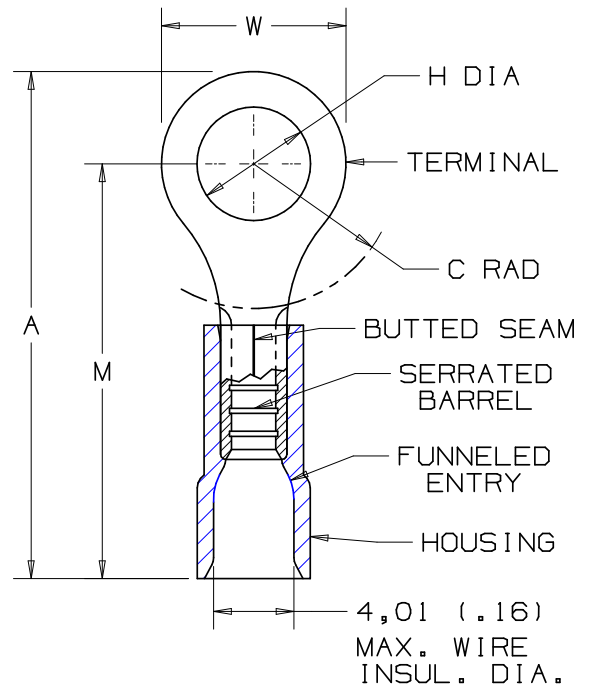


THIS COPY IS PROVIDED ON A RESTRICTED BASIS AND IS NOT TO BE USED IN ANY WAY DETRIMENTAL TO THE INTERESTS OF PANDUIT CORP.


PANDUIT PART #	STUD SIZE	DIMENSIONS mm				
		A ±0,51	W ±0,25	C ±0,38	M ±0,51	H ±0,25
PREFIX						
PMV1-3RB	M3	20,83 (.82)	5,84 (.23)	5,59 (.22)	17,78 (.70)	3,30 (.13)
PMV1-4RB	M4	23,11 (.91)	7,87 (.31)	7,37 (.29)	19,05 (.75)	4,57 (.18)
PMV1-5RB	M5	23,11 (.91)	8,89 (.35)	7,37 (.29)	19,05 (.75)	5,33 (.21)
PMV1-6RB	M6	28,19 (1.11)	10,92 (.43)	10,69 (.42)	22,35 (.88)	6,86 (.27)

NOTES :

- USED FOR :
 - A. 600 V MAX. VOLTAGE RATING
 - B. 105°C (221°F) MAX. TEMP. RATING
 - C. 0,5-1,5mm² (#22-18 AWG), STRANDED COPPER WIRE
- MATERIAL :
 - A. STAMPING - 0,81mm (.03) THK COPPER, TIN PLATED
 - B. HOUSING - RED VINYL
- DIMENSIONS IN BRACKETS ARE IN INCHES
- PACKAGE QTY:
 - A. -X =10
 - B. -C, -CY=100
- WIRE STRIP LENGTH: 7,9 ⁺⁸/₋₀ (5/16 ^{+1/32}/₋₀)
- INSTALLATION TOOLS: REF. DWGS. A41522, A41523, A41524, A41525



A41432_03

03	11/06	DAW	DAW	REMOVED -M BULK PACK, ADDED -CY PACK CODE	TRO0176	LCA	TRO	 TINLEY PARK, ILLINOIS 2 PC. VINYL INSULATED METRIC RINGS 0,5-1,5mm ² BARREL
02	10/06	DAW	DAW	ADDED -X PACKAGE QTY.	TRO0171	LCA	TRO	
01	10/97	TM	WJB	CHANGED DECIMAL POINTS TO COMMAS	06431	LCA	DH	
00	7/90	BK	RS	RELEASED	00687	LA	KS	
REV	DATE	BY	CHK	DESCRIPTION	ECN #	CUST	PM	DRAWN BY: BDK CHK'D: RLS SCALE: NONE DRAWING NO.: A41432