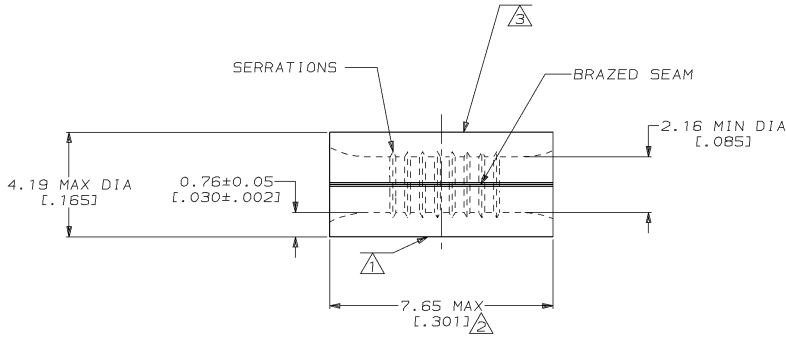


THIS DRAWING IS UNPUBLISHED. RELEASED FOR PUBLICATION .19
 © COPYRIGHT 19 BY AMP INCORPORATED. ALL INTERNATIONAL RIGHTS RESERVED.

LOC	DIST	P	F	ZONE	LTR	DESCRIPTION	DATE	APPR
G	14					G REVISED PER 0720-0048-94	6/15/94	g ^o DAP

METRIC
 DIMENSIONS LISTED IN mm [INCHES]

AMP WIRE RANGE	UL E13288 Listed
16-14 AWG SOLID OR STRANDED	NOT APPLICABLE
SP LR7189 Certified	MILITARY P/N AND CLASS
NOT APPLICABLE	NOT APPLICABLE



- ⚠ STAMP AMP 16-14 APPROX AS SHOWN
- ⚠ MAXIMUM LENGTH DOES NOT INCLUDE MANUFACTURING TABS
- ⚠ WIRE BARREL COLOR CODED ORANGE TO DENOTE NICKEL MATERIAL

50	LOOSE PIECE, BOX	8-322347-2
-	LOOSE PIECE	1-322347-0
-	LOOSE PIECE	322347
QTY	PACKAGE TYPE	PART NO

AMP INCORPORATED CUSTOMER SERVICE SYSTEMS		MAX RECOMMENDED OPERATING TEMPERATURE: 649°C MAX	DO NOT SCALE PRINT. UNLESS SPECIFIED DIMENSIONS IN mm [INCHES] TOLERANCES ON: 2 PLC DEC # - 3 PLC DEC # - ANGLES ± -	DR 4-19-93 TA BRINKMAN CHK 4-19-93 DA PATTERSON APPD 4-19-93 DE MILLER APPD 4-19-93 JL MECKLEY PRODUCT SPEC -	AMP AMP Incorporated Harrisburg, PA 17105-3608
FOR ADDITIONAL PRODUCT INFORMATION OR COPIES OF DRAWINGS AND TECHNICAL DOCUMENTS	PRODUCT INFORMATION CENTER 1-800-522-6752	VOLTAGE RATING: NOT APPLICABLE	MATERIAL NICKEL PER ASTM B-162 ANNEALED	FINISH -	NAME SPLICE, PARALLEL, HIGH TEMPERATURE, STRATO-THERM™
FOR APPLICATION TOOLING INFORMATION	TOOLING ASSISTANCE CENTER 1-800-722-1111	WIRE CROSS SECTIONAL AREA RANGE: 1.04-2.62mm² [2,050-5,180] CIR MILS SOLID OR STRANDED	THIS DRAWING IS A CONTROLLED DOCUMENT FOR AMP INCORPORATED. IT IS SUBJECT TO CHANGE AND THE CONTROLLING ENGINEERING ORGANIZATION SHOULD BE CONTACTED FOR THE LATEST REVISION.	APPLICATION SPEC -	SIZE C CAGE CODE 00779 DRAWING NO C=322347
FOR ORDER ENTRY	1-800-526-5142			WEIGHT -	SCALE 10:1 SHEET 1 OF 1

AMP 1471-6 REV 3-92
 15-JUN-94 17:19:54 amp26463 /files/dept1123/dwg1123/u.strato-therm/u.splices

CUSTOMER DRAWING

322347