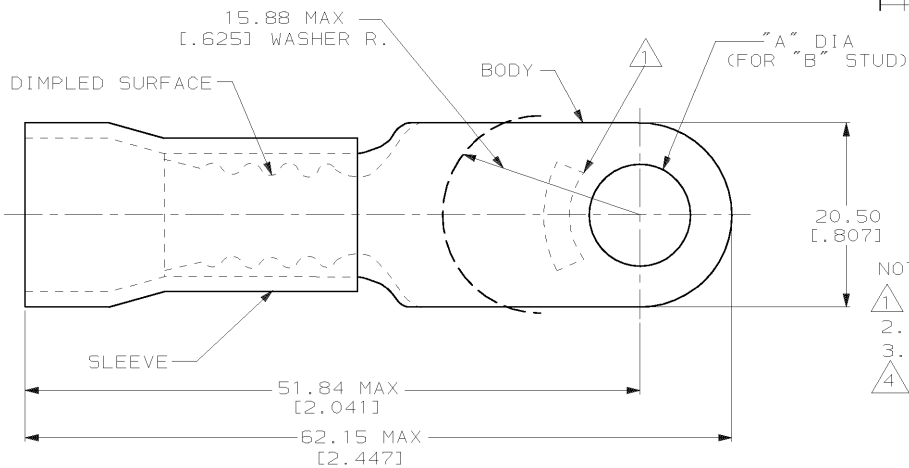


THIS DRAWING IS UNPUBLISHED. RELEASED FOR PUBLICATION, 19 .  
 © COPYRIGHT 19 BY AMP INCORPORATED. ALL INTERNATIONAL RIGHTS RESERVED.

LOC	DIST	P	F	ZONE	LTR	DESCRIPTION	DATE	APPD
G	14				H	ADDED -0 PER 063A-0004-01	03JAN01	JR/TM



<b>AMP</b> WIRE RANGE	FILE E13288	LR7189 Certified
1/0 AWG STRANDED	1/0 AWG STRANDED	1/0 AWG STRANDED

**METRIC**  
 DIMENSIONS LISTED IN mm [ INCHES ]

- NOTE:
- 1 STAMP AMP 1/0 W\* LOCATE APPROX AS SHOWN
  - 2. TONGUE MATERIAL THK 1.78±0.08 [.070±.003]
  - 3. SEE TABLE FOR WIRE INSULATION DIA MAX
  - 4 PRELIMINARY - NOT FOR PRODUCTION

16.89 [.665]	3/8	9.91±0.13 [.390±.005]	50	LOOSE PC	52045-5
17.37 [.684]		8.33±0.13 [.328±.005]			52045-2
	5/16	6.73±0.13 [.265±.005]			52045-1
	1/4	5.73±0.13 [.225±.005]			52045
WIRE INSULATION DIA MAX	"B"	"A"	QTY	PACKAGE TYPE	PART NO

<b>AMP INCORPORATED CUSTOMER SERVICE SYSTEMS</b>		MAX RECOMMENDED OPERATING TEMPERATURE: 90°C	DO NOT SCALE PRINT. UNLESS SPECIFIED DIMENSIONS IN INCHES: TOLERANCES ON: 2. PLC DEC ± 0.20(.008) 3. PLC DEC ± - ANGLES ± -	DR 9-28-93 S.S. GOLDEN	<b>AMP</b> AMP Incorporated Harrisburg, PA 17105-3608
FOR ADDITIONAL PRODUCT INFORMATION OR COPIES OF DRAWINGS AND TECHNICAL DOCUMENTS	PRODUCT INFORMATION CENTER 1-800-522-6752	VOLTAGE RATING: 600 V MAX	MATERIAL COPPER PER ASTM B-152 PVC, COLOR:BLUE	CHK 9-28-93 R. HERSEY	
FOR APPLICATION	TOOLING ASSISTANCE CENTER 1-800-722-1111	CIRCULAR MIL AREA: 42.41-60.55mm² (83,700-119,500) STRANDED	FINISH TIN PLATE PER ASTM B545	APPD 9-28-93 G. BARE	NAME TERMINAL, RING TONGUE, PLASTI-GRIP, WIRE SIZE:1/0 AWG
TOOLING INFORMATION				APPD 9-28-93 M. ELLIS	SIZE B 00779
FOR ORDER ENTRY	1-800-526-5142	THIS DRAWING IS A CONTROLLED DOCUMENT FOR AMP INCORPORATED. IT IS SUBJECT TO CHANGE AND THE CONTROLLING ENGINEERING ORGANIZATION SHOULD BE CONTACTED FOR THE LATEST REVISION.		APPLICATION SPEC NOT AVAILABLE	CAGE CODE C=52045
AMP 1470-15 REV 3-92				WEIGHT -	DRAWING NO 1 OF 1