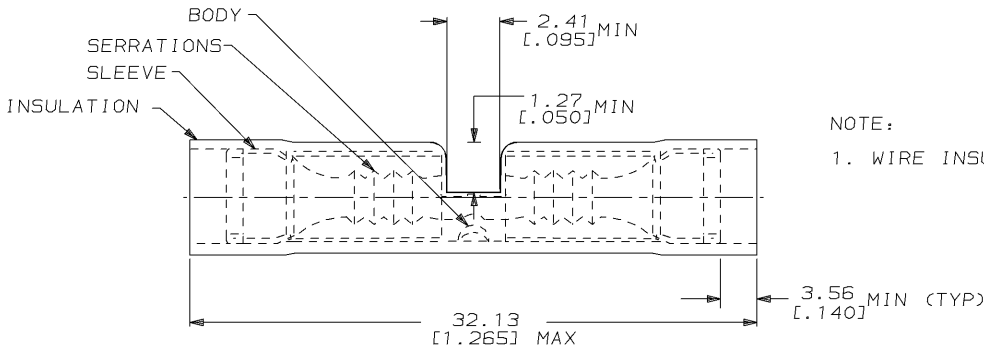


THIS DRAWING IS UNPUBLISHED. RELEASED FOR PUBLICATION, 19 .
 © COPYRIGHT 19 BY AMP INCORPORATED. ALL INTERNATIONAL RIGHTS RESERVED.

LOC	DIST	P	F	ZONE	LTR	DESCRIPTION	DATE	APPD
G	14				L	REV / 0720-0380-94	6/1/94	ME

AMP WIRE RANGE	UL Listed FILE E13288	CSA LR7189 Certified
16-14 AWG SOLID OR STRANDED	16-14 AWG SOLID OR STRANDED	16-14 AWG SOLID OR STRANDED

METRIC
 DIMENSIONS LISTED IN mm [INCHES]



NOTE:
 1. WIRE INSULATION DIA 2.67 [.105] TO 3.81 [.150]

MILITARY PART NUMBER & CLASS PER MIL-T-7928	QTY	PACKAGE TYPE	PART NO
-	100	LOOSE PIECE, BOX	8-320562-5
-	5	LOOSE PIECE, BLS	8-320562-4
-	50	LOOSE PIECE, BOX	8-320562-2
M7928/5-4 CLASS 2	2500	ON TAPE	2-320562-3
M7928/5-4 CLASS 1 & 2	50	LOOSE PIECE	320562

AMP INCORPORATED CUSTOMER SERVICE SYSTEMS		MAX RECOMMENDED OPERATING TEMPERATURE: 105°C	AMP AMP Incorporated Harrisburg, PA 17105-3608 NAME SPLICE, BUTT, P.I.D.G., WIRE SIZE: 16-14 AWG SIZE B CAGE CODE 00779 DRAWING NO C=320562 SCALE NTS SHEET 1 OF 1
FOR ADDITIONAL PRODUCT INFORMATION OR COPIES OF DRAWINGS AND TECHNICAL DOCUMENTS	PRODUCT INFORMATION CENTER 1-800-522-6752	VOLTAGE RATING: 600V MAX 1000 V MAX (FIXTURE OR SIGN)	
FOR APPLICATION	TOOLING ASSISTANCE CENTER 1-800-722-1111	CIRCULAR MIL AREA: 1.04-2.62 mm² [2,050-5,180] SOLID OR STRANDED	
TOOLING INFORMATION	1-800-722-1111	MATERIAL COPPER PER ASTM B-152 NYLON, COLOR: BLUE	
FOR ORDER ENTRY	1-800-526-5142	FINISH TIN PLATE PER MIL-T-10727	

AMP 1470-15 REV 3-92
 01 JUN 1994 10:05:16 AMP12368 <U128A>DEPT1132>U.DWG1132>U.RBY>U.PIDG-SPLICE>U.CUST

CUSTOMER DRAWING