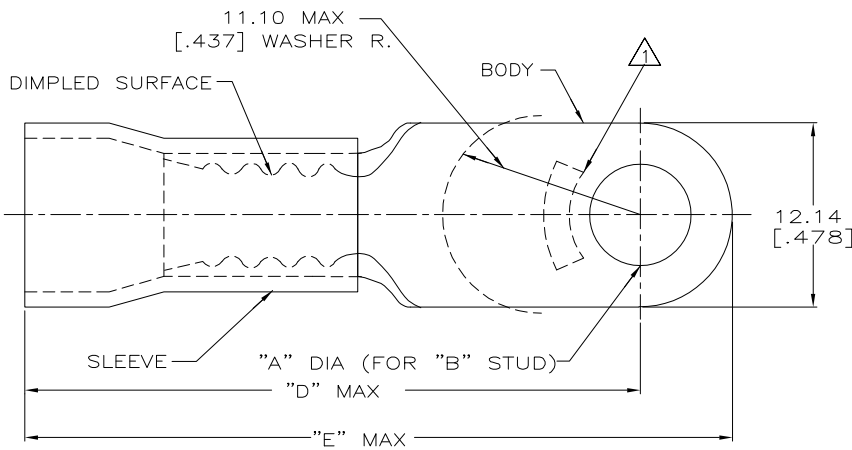


INSULATION

DRAWING MADE IN THIRD ANGLE PROJECTION
 THIS DRAWING IS UNPUBLISHED. RELEASED FOR PUBLICATION, 19
 © COPYRIGHT 19 BY AMP INCORPORATED. ALL INTERNATIONAL RIGHTS RESERVED.

LOC	DIST	ZONE	LTR	REVISIONS	DATE	APPD
G	14	P	F	R1 REV PER ECR 06-001832	25APR06	TM



AMP WIRE RANGE	FILE E13288	LR7189 Certified
8 AWG STRANDED	8 AWG STRANDED	8 AWG STRANDED

- NOTE:
1. STAMP AMP 8* LOCATE APPROX AS SHOWN
 2. TONGUE MATERIAL THK 1.02±0.08 [.040±.003]
 3. SEE TABLE FOR WIRE INSULATION DIA MAX
 4. TAPE ITEMS ARE ON 30.48[1.200] CENTERS

"E"	"D"	WIRE INSULATION "B"	"A"	QTY	PACKAGE TYPE	PART NO
40.64 [1.600]	34.49 [1.358]	8.38 [.330]	1/4	25	LOOSE PC, BOX SPL	8-52041-5
40.64 [1.600]	34.49 [1.358]	8.38 [.330]	1/4	500	ON TAPE	52041-9 52041-7 52041-6
40.28 [1.586]	34.14 [1.344]	9.14 [.360]	#8	100	LOOSE PC	52041-3 52041-1 52041
40.64 [1.600]	34.49 [1.358]	8.38 [.330]	1/4			
40.28 [1.586]	34.14 [1.344]	9.14 [.360]	#8			

AMP INCORPORATED CUSTOMER SERVICE SYSTEMS		MAX RECOMMENDED OPERATING TEMPERATURE: 90° C	DO NOT SCALE PRINT, UNLESS SPECIFIED DIMENSIONS IN mm [INCHES] TOLERANCES ON: 2 PLC DEC ± 0.20[.008] 3 PLC DEC ± - ANGLES ± -	DR 9-28-93 S.S. GOULDEN CHK 9-28-93 R. HERSEY APPD 9-28-93 B. BARE APPD 9-28-93 M. ELLIS PRODUCT SPEC NOT AVAILABLE	AMP AMP Incorporated Harrisburg, PA 17105-3608
FOR ADDITIONAL PRODUCT INFORMATION OR COPIES OF DRAWINGS AND TECHNICAL DOCUMENTS PRODUCT INFORMATION CENTER 1-800-522-6752	FOR APPLICATION TOOLING ASSISTANCE CENTER TOOLING INFORMATION 1-800-722-1111	VOLTAGE RATING: 600 V MAX	MATERIAL COPPER PER ASTM B-15 PVC, COLOR:RED	NAME TERMINAL, RING TONGUE, PLASTI-GRIP, WIRE SIZE:8 AWG	SIZE B CAGE CODE 00779 DRAWING NO C=52041
FOR ORDER ENTRY 1-800-526-5142	THIS DRAWING IS A CONTROLLED DOCUMENT FOR AMP INCORPORATED. IT IS SUBJECT TO CHANGE AND THE CONTROLLING ENGINEERING ORGANIZATION SHOULD BE CONTACTED FOR THE LATEST REVISION.	FINISH TIN PLATE PER ASTM B545	APPLICATION SPEC NOT AVAILABLE WEIGHT -	SCALE NTS SHEET 1 OF 1	AMP 1470-15 REV 3-92 Transfile 021119.120437 (YMMDD.HHMMSS) from Comperision, Inc., Medusa Revision 12.2.91

CUSTOMER DRAWING