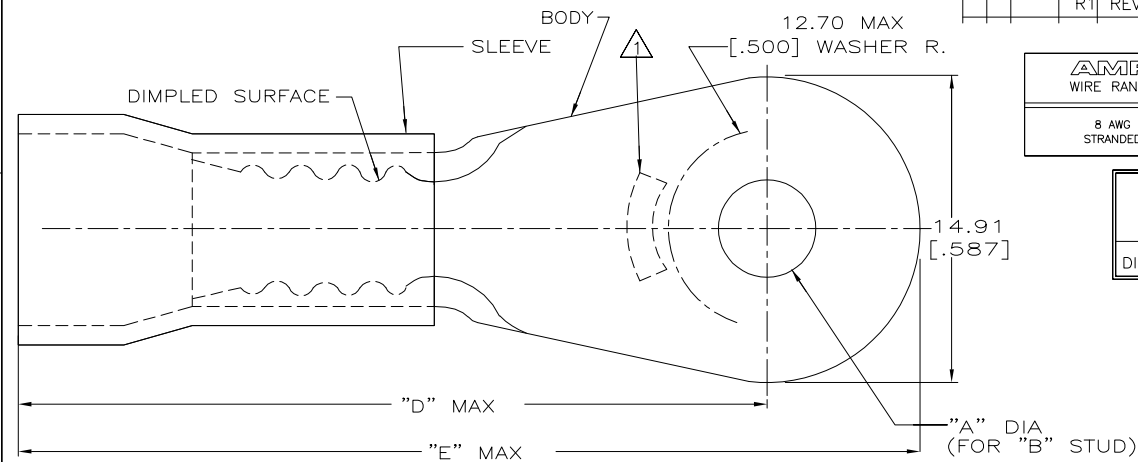


THIS DRAWING IS UNPUBLISHED. RELEASED FOR PUBLICATION
 © COPYRIGHT 19 BY AMP INCORPORATED. ALL INTERNATIONAL RIGHTS RESERVED.

LOC	DIST	REVISIONS		
G	14	ZONE	LTR	DESCRIPTION
		R1		REV PER ECR 06-008807
				DATE
				APPD
				BB



AMP WIRE RANGE	FILE E13288	LR7189 Certified
8 AWG STRANDED	8 AWG STRANDED	8 AWG STRANDED

METRIC
 DIMENSIONS LISTED IN mm [INCHES]

- NOTE:
- 1 STAMP AMP 8* LOCATE APPROX AS SHOWN
 2. TONGUE MATERIAL THK 1.02±0.08 [.040±.003]
 3. SEE TABLE FOR WIRE INSULATION DIA MAX
 - 4 SUPERSEDED BY 52291
 5. TAPE ITEMS ARE ON 30.48 [1.200] CENTERS
 - 6 SUPERSEDED BY 52291-1

43.08 [1.696]	35.56 [1.400]	9.14 [.360]	3/8 5/16	9.91±0.13 [.390±.005] 8.33±0.13 [.328±.005]	25	LOOSE PC, BOX SPL	9-52291-5 8-52291-5
43.59 [1.716]	36.07 [1.420]	8.38 [.330]	3/8 5/16	9.91±0.13 [.390±.005] 8.33±0.13 [.328±.005]	500	ON TAPE	52291-5 52291-4
43.08 [1.696]	35.56 [1.400]	9.14 [.360]	3/8 5/16	9.91±0.13 [.390±.005] 8.33±0.13 [.328±.005]	100	LOOSE PC	52291-3 52291-2 52291-1 52291

AMP INCORPORATED CUSTOMER SERVICE SYSTEMS		MAX RECOMMENDED OPERATING TEMPERATURE: 90° C	"E"	"D"	WIRE INSULATION DIA	"B"	"A"	QTY	PACKAGE TYPE	PART NO
FOR ADDITIONAL PRODUCT INFORMATION OR COPIES OF DRAWINGS AND TECHNICAL DOCUMENTS	PRODUCT INFORMATION CENTER 1-800-522-6752	VOLTAGE RATING: 600 V MAX	DO NOT SCALE PRINT. UNLESS SPECIFIED DIMENSIONS IN mm [INCHES] TOLERANCES ON: 2. PLC DEC ± 0.20 [008] 3. PLC DEC ± - ANGLES ± -		DR 9-29-93 S.S. GOLDEN	AMP		AMP Incorporated Harrisburg, PA 17105-3608		
FOR APPLICATION TOOLING INFORMATION	TOOLING ASSISTANCE CENTER 1-800-722-1111	CIRCULAR MIL AREA: 6.64-10.54mm² [13,100-20,800] STRANDED	MATERIAL COPPER PER ASTM B-15 PVC, COLOR:RED		CHK 9-29-93 R. HERSEY	NAME		TERMINAL, RING TONGUE, PLASTI-GRIP, WIRE SIZE:8 AWG		
FOR ORDER ENTRY	1-800-526-5142	THIS DRAWING IS A CONTROLLED DOCUMENT FOR AMP INCORPORATED. IT IS SUBJECT TO CHANGE AND THE CONTROLLING ENGINEERING ORGANIZATION SHOULD BE CONTACTED FOR THE LATEST REVISION.	FINISH TIN PLATE PER MIL-T-10727		APPD 9-29-93 B. BARE	SIZE		CAGE CODE	DRAWING NO	
					PRODUCT SPEC NOT AVAILABLE	B		00779	C= 52291	
					APPLICATION SPEC NOT AVAILABLE	SCALE		NTS	SHEET	1 OF 1

AMP 1470-15 REV 3-92 Tronics/021119.121049 (YYMMDD.HHMMSS) from CompServision, Inc., Medusa Revision 12.2.01