

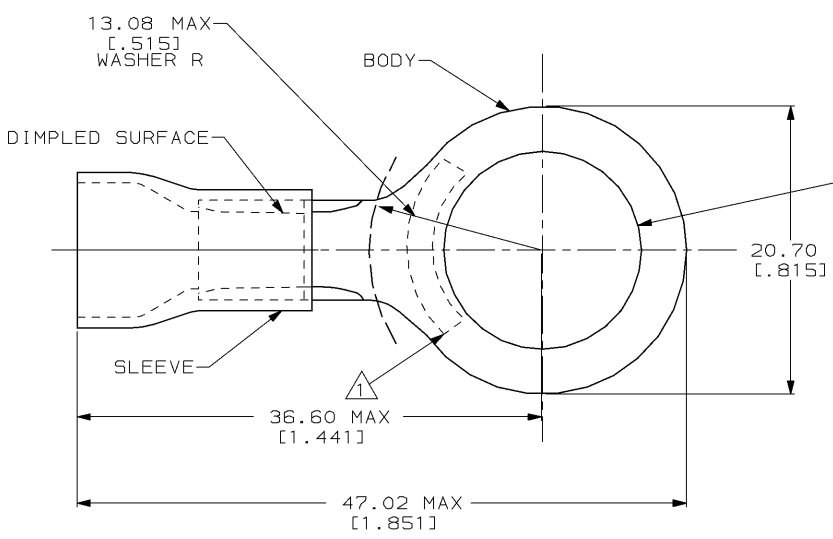
DRAWING MADE IN THIRD ANGLE PROJECTION

THIS DRAWING IS UNPUBLISHED. RELEASED FOR PUBLICATION, 19 .

© COPYRIGHT 19 BY AMP INCORPORATED. ALL INTERNATIONAL RIGHTS RESERVED.

LOC	DIST	ZONE	LTR	REVISIONS	DATE	APPD
G	14		H	REV / 0L20-0041-97	29MAY97	BB

AMP WIRE RANGE	AMP FILE E13288	LR7189 Certified
6 AWG STRANDED	6 AWG STRANDED	6 AWG STRANDED



NOTE:

1. STAMP AMP 6* LOCATE APPROX AS SHOWN
2. TONGUE MATERIAL THK 1.14±0.08 [0.045±.003]
3. WIRE INSULATION DIA 11.07 [0.436] MAX

20	LOOSE PC, BOX SPL	8-52350-5
100	LOOSE PC	52350
QTY	PACKAGE TYPE	PART NO

AMP INCORPORATED CUSTOMER SERVICE SYSTEMS		MAX RECOMMENDED OPERATING TEMPERATURE: 90°C	DO NOT SCALE PRINT. UNLESS SPECIFIED DIMENSIONS IN mm (INCHES) TOLERANCES ON: 1. ALL DIMENSIONS ± 0.201 (0.008) 2. PLC DEC ± - 3. PLC DEC ± - ANGLES ± -	DR 9-30-93 S.S. GOLDEN CHK 9-30-93 R. HERSEY APPD 9-30-93 B. BARE M. ELLIS	AMP AMP Incorporated Harrisburg, PA 17105-3608
FOR ADDITIONAL PRODUCT INFORMATION OR COPIES OF DRAWINGS AND TECHNICAL DOCUMENTS	PRODUCT INFORMATION CENTER 1-800-522-6752	VOLTAGE RATING: 600 V MAX	MATERIAL COPPER PER ASTM B-152 PVC, COLOR, BLUE	PRODUCT SPEC NOT AVAILABLE	NAME TERMINAL, RING TONGUE, PLASTI-GRIP™, WIRE SIZE, 6 AWG
FOR APPLICATION TOOLING INFORMATION	TOOLING ASSISTANCE CENTER 1-800-722-1111	CIRCULAR MIL AREA: 10.54-16.77mm² (20,800-33,100) STRANDED	FINISH TIN PLATE PER MIL-T-10727	APPLICATION SPEC NOT AVAILABLE	SIZE B
FOR ORDER ENTRY	1-800-526-5142	THIS DRAWING IS A CONTROLLED DOCUMENT FOR AMP INCORPORATED. IT IS SUBJECT TO CHANGE AND THE CONTROLLING ENGINEERING ORGANIZATION SHOULD BE CONTACTED FOR THE LATEST REVISION.		WEIGHT -	CAGE CODE 00779
					DRAWING NO C=52350
					SCALE NTS
					SHEET 1 OF 1

AMP 1470-15 REV 3-92
22-MAY-97 14:29:39 amp10398 /home/ssrv027a/dsk01/dept1132/amp10398/edmmod

CUSTOMER DRAWING