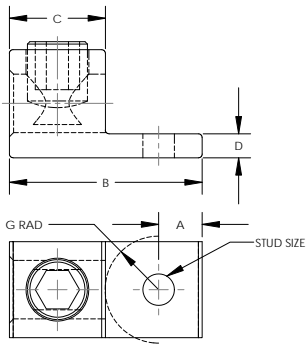


THIS COPY IS PROVIDED ON A RESTRICTED BASIS AND IS NOT TO BE USED IN ANY WAY DETRIMENTAL TO THE INTERESTS OF PANDUIT CORP.



**NOTES:**

1. MATERIAL:  
BODY - ALUMINUM, TIN PLATED  
SCREW - ALUMINUM, TIN PLATED  
(NOTE: LAMA6-14-QY & LAMA2-14-QY HAVE TIN PLATED STEEL SCREWS)
2. CULUS LISTED FOR USE UP TO 600V & TEMPERATURE RATED 90 °C (AL9CU)
3. DUAL RATED FOR USE WITH COPPER OR ALUMINUM STRANDED CODE CONDUCTOR
4. THESE PARTS ARE ROHS COMPLIANT
5. USE OF OXIDE INHIBITING JOINT COMPOUND LIKE PANDUIT CMP-100 RECOMMENDED FOR PAD TO PAD AND CONDUCTOR SURFACES
6. SEE PACKAGING LABEL FOR TIGHTENING TORQUE INFORMATION
7. PKG QTY:  
Q = 25



PART NUMBER	WIRE RANGE COPPER/ALUMINUM	WIRE STRIP LENGTH IN[mm]	STUD SIZE IN	DIMENSIONS - IN [mm]							HEX KEY*
				A	B	C	D	E	F	G	
LAMA6-14-QY	14 AWG - 6 AWG	.38 [9.7]	1/4	.25 [6.4]	1.06 [27.0]	.38 [9.7]	.09 [2.4]	.50 [12.7]	.50 [12.7]	.43 [10.9]	SLOTTED
LAMA2-14-QY	14 AWG - 2 AWG	.47 [11.9]	1/4	.31 [7.9]	1.16 [29.5]	.47 [11.9]	.10 [2.5]	.50 [12.7]	.55 [14.0]	.38 [9.7]	SLOTTED
LAMA1/0-14-QY	14 AWG - 1/0 AWG	.62 [15.7]	1/4	.42 [10.7]	1.47 [37.3]	.62 [15.7]	.19 [4.8]	.62 [15.7]	.79 [20.0]	.43 [10.9]	SLOTTED
LAMA1/0-56-Q	14 AWG - 1/0 AWG	.62 [15.7]	5/16	.25 [6.4]	1.47 [37.3]	.62 [15.7]	.19 [4.8]	.62 [15.7]	.79 [20.0]	.60 [15.2]	SLOTTED
LAMA2/0-14-QY	14 AWG - 2/0 AWG	.62 [15.7]	1/4	.44 [11.2]	1.47 [37.3]	.62 [15.7]	.19 [4.8]	.62 [15.8]	.79 [20.0]	.41 [10.4]	3/16
LAMA250-56-QY	6 AWG - 250 kcmil	1.00 [25.4]	5/16	.45 [11.5]	2.01 [51.0]	1.00 [25.4]	.25 [6.4]	1.00 [25.4]	1.13 [28.6]	.56 [14.2]	5/16

\* HEX SIZE MAY DIFFER FROM CHART. DIFFERENCE IN SIZE WILL NOT AFFECT FIT, FORM, OR FUNCTION OF PART

REV	DATE	BY	CHK	DESCRIPTION	ECN	-R	SUP	CHK'D
10	9/10	JHNU	JHNU	J. REVISED NOTES I. REMOVED FIGURE NO. COLUMN				
09	7/10	JHNU	JHNU	H. REVISED DWG NUMBER: 10N006AR-NC WAS C41566 G. REVISED LAMA6-14-QY DIMS: E WAS .38 F. REVISED LAMA2-14-QY DIMS: A WAS .32, D WAS .09, F WAS .56, G WAS .37 E. REVISED LAMA2/0-14-QY DIMS: WIRE STRIP LENGTH WAS .63, A WAS .44, C WAS .63, F WAS .81, G WAS .40 D. REVISED LAMA1/0-56-Q DIMS: WIRE STRIP LENGTH WAS .63, C WAS .63, E WAS .63, F WAS .76, G WAS .59 C. REVISED LAMA 2/0-14-QY DIMS: WIRE STRIP LENGTH WAS .63, C WAS .63, F WAS .81, G WAS .40, HEX KEY WAS SLOTTED B. REVISED LAMA250-56-QY DIMS: A WAS .44, B WAS 2.00, D WAS .22, E WAS .90, F WAS 1.06, HEX KEY WAS 3/8 A. REMOVED TORQUE COLUMN FROM TABLE				
08	9/09	JHNU	JHNU	ADDED LAMA1/0-56 TO DRAWING				

10N006AR-NC/00B

**PANDUIT CORP. TINLEY PARK, ILLINOIS**

LAMA SERIES 6AWG THRU 250kcmil  
ALUMINUM MECHANICAL LUGS  
CUSTOMER DRAWING

UNLESS OTHERWISE SPECIFIED  
DIMENSIONAL TOLERANCES ARE:  
(X) ± ... (XXX) ± ...  
(XX) ± ... ANGLES ± ...

UNLESS OTHERWISE SPECIFIED,  
ALL DIMENSIONS ARE GIVEN IN  
INCHES, THIRD ANGLE PROJECTION

DRAWN BY  
JHNU

DATE  
2/06

MATL:  
SEE NOTES

SCALE  
NONE

DRAWING NO / CAD FILE  
10N006AR-NC

DWG  
B  
SIZE

