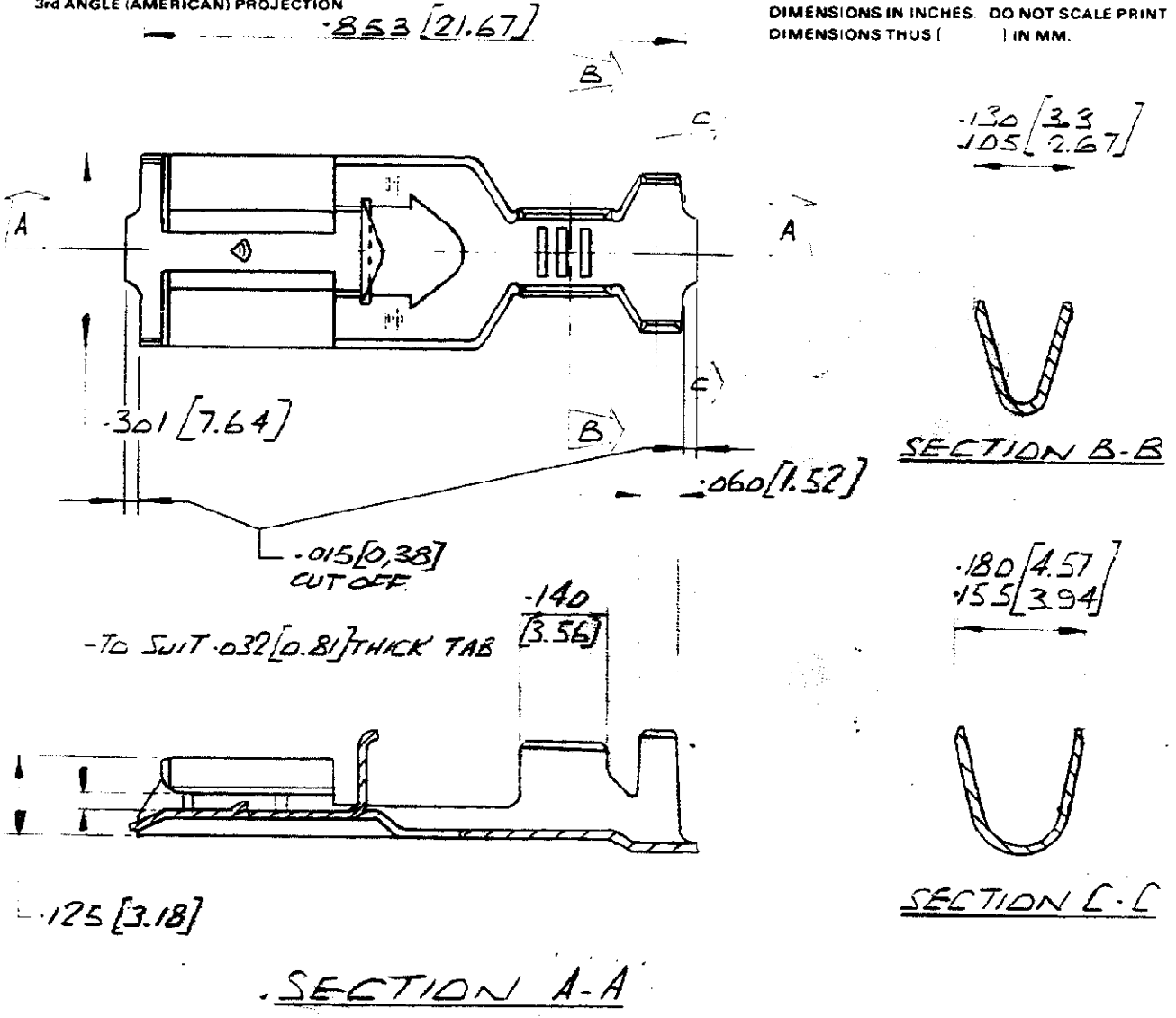


NUMBER C-341412

3rd ANGLE (AMERICAN) PROJECTION

DIMENSIONS IN INCHES DO NOT SCALE PRINT DIMENSIONS THUS [ ] IN MM.



SECTION A-A

SECTION B-B

SECTION C-C

C-341412-5	NICKEL SILVER	NONE
C-341412-4	PHOSPHOR BRONZE	PRE-TIN
C-341412-3	PHOSPHOR BRONZE	NONE
C-341412-2	BRASS	PRE-TIN
C-341412-1	BRASS	NONE
PART NO.	MATERIAL	FINISH

C AMP of GREAT BRITAIN LTD 1978  
**CUSTOMER COPY REFERENCE ONLY**

MATERIAL AND FINISH SEE TABLE  
**AMP** of Great Britain Ltd. TERMINAL HOUSE STANMORE, MIDD.

1	PRELIMINARY ISSUE	JPS	-	3/5/79
ISS	REVISION RECORD	DR	CHK	DATE
DR	J.P. STOCKWELL			4.12.79
CHK	1	APP		

WIRE RANGE - INSULATION TYPE  
 20-5mm<sup>2</sup> 1.5mm<sup>2</sup> 2.1mm<sup>2</sup> - 2.9mm<sup>2</sup>  
 TOLERANCE EXCEPT AS NOTED SCALE  
 .015 [0.38] - 1:1 4:1  
 CLASS  
 LOC NO  
 E A C-341412  
 NAME  
 POSITIVE LOCK RECEPTACLE MK II (250)  
 LOOSE PIECE PART

PRINT/DIST