

# Terminals and Splices

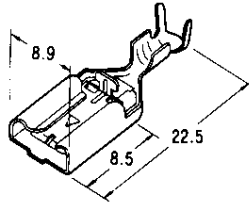
## POSITIVE LOCK Connectors <Mark II>

### Heavy-duty Type

#### 312 Series Connectors for Sealed Beam

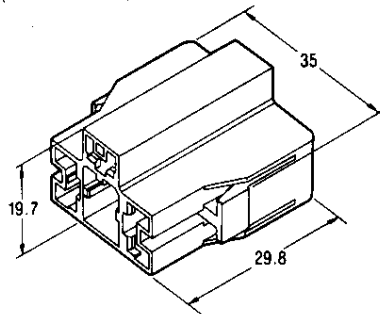
Product Specifications : 108-5131  
 Instruction Sheet : 412-5120

#### Straight Type Receptacle Terminal



Acceptable Tab Width : 7.92mm  
 Material : Tin plated brass  
 Part No. : 170381-1(S.T.)  
 Application Spec. : 114-5047

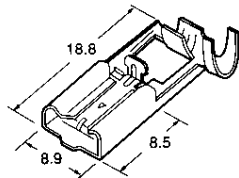
#### Receptacle Housing (for 3 Circuits)



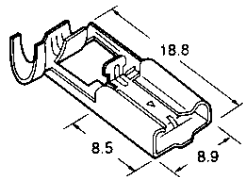
Part No. : 172236-2 (Black)  
 Material : 66 Nylon

#### Flag Type Receptacle Terminal

Acceptable Tab Width : 7.92mm  
 Material : Tin plated brass  
 Application Spec. : 114-5079 (for standard wire)  
 114-5220 (for thin wire)

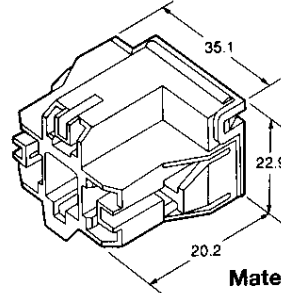


Flag Type(L)  
 Terminal Part No. : 172795-1 (for standard wire / S.T.)  
 Terminal Part No. : 900319-1 (for thin wire / S.T.)

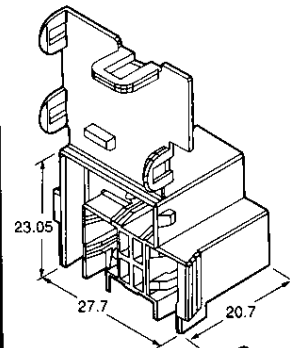


Flag Type(R)  
 Terminal Part No. : 172796-1 (for standard wire / S.T.)  
 Terminal Part No. : 900318-1 (for thin wire / S.T.)

#### Flag Type, for 3 circuits Receptacle Terminal



Material : 66 Nylon (Black)  
 (for standard wire)  
 Part No. : 172615-2 (for thin wire)  
 Part No. : 177720-2



Compact Type  
 Material : PBT (Black)  
 Part No. : 353752-2