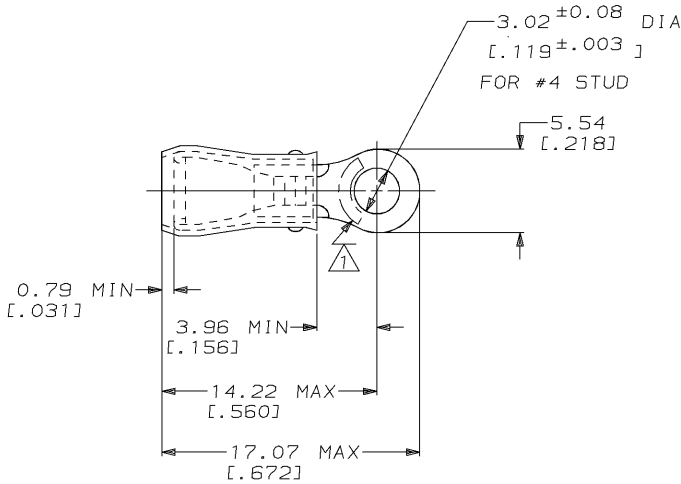


DRAWING MADE IN THIRD ANGLE PROJECTION

THIS DRAWING IS UNPUBLISHED. RELEASED FOR PUBLICATION, 19 .
 © COPYRIGHT 19 BY AMP INCORPORATED. ALL INTERNATIONAL RIGHTS RESERVED.

LOC	DIST	P	F	ZONE	LTR	DESCRIPTION	DATE	APPD
G	14				T	REV / 0L20-0025-97	27JAN97	TM

AMP WIRE RANGE	UL Listed	CSA LR7189 Certified
22-16 AWG SOLID OR STRANDED	22-16 AWG SOLID OR STRANDED	22-16 AWG SOLID OR STRANDED



- 1 STAMP AMP 22-18* APPROX AS SHOWN
 22-16 TERMINALS ARE STAMPED 22-18 IN
 ACCORDANCE WITH MILITARY SPEC MIL-T-7928
 COMMERCIAL WIRE RANGE IS 22-16
- 2 WIRE INSULATION DIA: .105 - .140
- 3 TONGUE MATERIAL THK: 0.79^{+0.05} [0.031 ± .002]

**AMP INCORPORATED
 CUSTOMER SERVICE SYSTEMS**

FOR ADDITIONAL PRODUCT INFORMATION OR COPIES OF DRAWINGS AND TECHNICAL DOCUMENTS	PRODUCT INFORMATION CENTER 1-800-522-6752
FOR APPLICATION TOOLING INFORMATION	TOOLING ASSISTANCE CENTER 1-800-722-1111
FOR ORDER ENTRY	1-800-526-5142

MAX RECOMMENDED OPERATING TEMPERATURE: 105°C MAX
VOLTAGE RATING: 300 V MAX
WIRE CROSS SECTIONAL AREA RANGE: 0.26-1.65mm ² [509-3,260] CIR MILS SOLID OR STRANDED
THIS DRAWING IS A CONTROLLED DOCUMENT FOR AMP INCORPORATED. IT IS SUBJECT TO CHANGE AND THE CONTROLLING ENGINEERING ORGANIZATION SHOULD BE CONTACTED FOR THE LATEST REVISION.

-	100	LOOSE PIECE, BOX	8-31880-1
MS 25036-148 CLASS 2	5000	ON TAPE, REEL	2-31880-1
MS 25036-148 CLASS 1 & 2	-	LOOSE PIECE	31880
MILITARY P/N AND CLASS	QUANTITY	PACKAGE TYPE	PART NO
DO NOT SCALE PRINT. UNLESS SPECIFIED DIMENSIONS IN mm [INCHES] TOLERANCES ON: 2 PLC DEC ± 0.201.008 3 PLC DEC ± - ANGLES ± -	DR 02/11/93 DK SCORUM CHK 4/28/93 RE HERSEY APPD 4/28/93 MS ELLIS APPD 4/28/93 M BARNABA	AMP AMP Incorporated Harrisburg, PA 17105-3608	
MATERIAL COPPER PER ASTM B-152 SLEEVE, RED NYLON	PRODUCT SPEC UL 486A	NAME TERMINAL, RING TONGUE, PIDG™, WIRE SIZE, 22-16 AWG	
FINISH TIN PLATE PER MIL-T-10727	APPLICATION SPEC NOT AVAILABLE	SIZE B	CAGE CODE 00779
	WEIGHT -	DRAWING NO C=31880	SCALE 4:1
		SHEET 1 OF 1	

AMP 1470-15 REV 3-92
 27 JAN 1997 13:47:28 AMP10398 <U0128A>DEPT1132>U.DWG1132>U.RBY>U.PIDG>U.CUST

CUSTOMER DRAWING