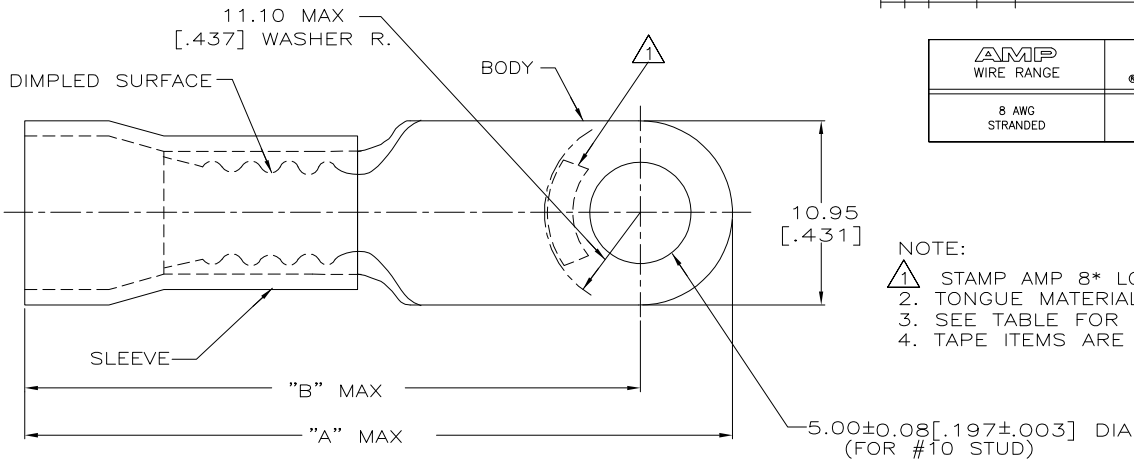


DRAWING MADE IN THIRD ANGLE PROJECTION

THIS DRAWING IS UNPUBLISHED. RELEASED FOR PUBLICATION
 © COPYRIGHT 19 BY AMP INCORPORATED. ALL INTERNATIONAL RIGHTS RESERVED.

LOC	DIST	REVISIONS		
G	14	ZONE	LTR	DESCRIPTION
		R1		REV PER ECR 06-001832
				DATE
				24APR06
				APPD
				JR TM



AMP WIRE RANGE	FILE E13288	LR7189 Certified
8 AWG STRANDED	8 AWG STRANDED	8 AWG STRANDED

- NOTE:
1. STAMP AMP 8* LOCATE APPROX AS SHOWN
 2. TONGUE MATERIAL THK 1.02±0.08 [.040±.003]
 3. SEE TABLE FOR WIRE INSULATION DIA MAX
 4. TAPE ITEMS ARE ON 30.48 [1.200] CENTERS

9.91 [.390]	33.99 [1.338]	39.52 [1.556]	100	LOOSE PC	52263-5
8.38 [.330]	34.49 [1.358]	40.03 [1.576]	500	ON TAPE	52263-4
9.14 [.360]	33.99 [1.338]	39.52 [1.556]			52263-3
8.38 [.330]	34.49 [1.358]	40.03 [1.576]			52263-2
9.14 [.360]	33.99 [1.338]	39.52 [1.556]	100	LOOSE PC	52263-1
					52263

AMP INCORPORATED CUSTOMER SERVICE SYSTEMS		MAX RECOMMENDED OPERATING TEMPERATURE: 90° C	DO NOT SCALE PRINT. UNLESS SPECIFIED DIMENSIONS IN mm [INCHES] TOLERANCES ON: 2. PLC DEC ± 0.20[.008] 3. PLC DEC ± - ANGLES ± -	INSULATION DIA	"B"	"A"	QTY	PACKAGE TYPE	PART NO
FOR ADDITIONAL PRODUCT INFORMATION OR COPIES OF DRAWINGS AND TECHNICAL DOCUMENTS	PRODUCT INFORMATION CENTER 1-800-522-6752	VOLTAGE RATING: 600 V MAX	MATERIAL COPPER PER ASTM B-15 PVC, COLOR:RED	DR 9-29-93 S.S. GOLDEN	AMP AMP Incorporated Harrisburg, PA 17105-3608				
FOR APPLICATION TOOLING INFORMATION	TOOLING ASSISTANCE CENTER 1-800-722-1111	CIRCULAR MIL AREA: 6.64-10.54mm ² [13,100-20,800] STRANDED	FINISH TIN PLATE PER ASTM B545	CHK 9-29-93 R. HERSEY	NAME TERMINAL, RING TONGUE, PLASTI-GRIP, WIRE SIZE:8 AWG				
FOR ORDER ENTRY	1-800-526-5142	THIS DRAWING IS A CONTROLLED DOCUMENT FOR AMP INCORPORATED. IT IS SUBJECT TO CHANGE AND THE CONTROLLING ENGINEERING ORGANIZATION SHOULD BE CONTACTED FOR THE LATEST REVISION.		APPD 9-29-93 B. BARE	PRODUCT SPEC NOT AVAILABLE	SIZE B	CAGE CODE 00779	DRAWING NO C=52263	
				WEIGHT -	APPLICATION SPEC NOT AVAILABLE	SCALE NTS	SHEET 1 OF 1		

AMP 1470-15 REV 3-92 Tronics/021119.120952 (YMMDO.HMMSS) from CompServision, Inc., Medusa Revision 12.2.01

CUSTOMER DRAWING