

4

3

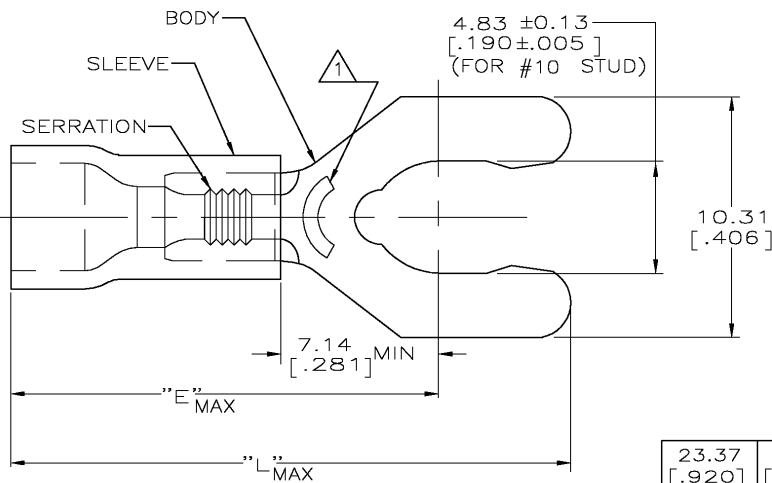
2

1

THIS DRAWING IS UNPUBLISHED. RELEASED FOR PUBLICATION  
 © COPYRIGHT - BY TYCO ELECTRONICS CORPORATION. ALL RIGHTS RESERVED.

| LOC | DIST | REVISIONS   |                      |         |       |
|-----|------|-------------|----------------------|---------|-------|
| P   | LTR  | DESCRIPTION | DATE                 | DWN     | APVD  |
| G   | 14   | N           | REV PER 0G3A-0832-04 | 28JAN05 | JR TM |

|                                |                                |                                |
|--------------------------------|--------------------------------|--------------------------------|
| AMP<br>WIRE RANGE              | Listed<br>FILE E13288          | LR7189<br>Certified            |
| 16-14 AWG<br>SOLID OR STRANDED | 16-14 AWG<br>SOLID OR STRANDED | 16-14 AWG<br>SOLID OR STRANDED |



- 1 STAMP 10SAMP 16-14\* APPROX AS SHOWN
- 2. SEE TABLE FOR WIRE INSUL DIA
- 3. TONGUE MATL THK, 0.79±0.05 [.031±.002]
- 4 MATERIAL: BODY - BRASS PER ASTM B-36  
SLEEVE - PVC, COLOR - BLUE

|                 |                 |                          |      |                  |           |
|-----------------|-----------------|--------------------------|------|------------------|-----------|
| 23.37<br>[.920] | 17.70<br>[.697] | 3.00-4.90<br>[.118-.193] | 100  | LOOSE PIECE, BOX | 8-52957-1 |
| 24.61<br>[.969] | 18.95<br>[.746] | 3.81-6.35<br>[.150-.250] | 2500 | ON TAPE, REEL    | 52957-3   |
| 24.61<br>[.969] | 18.95<br>[.746] | 3.81-6.35<br>[.150-.250] | 1000 | LOOSE PIECE      | 52957-2   |
| 23.37<br>[.920] | 17.70<br>[.697] | 3.00-4.90<br>[.118-.193] | 5000 | ON TAPE, REEL    | 52957-1   |
| 23.37<br>[.920] | 17.70<br>[.697] | 3.00-4.90<br>[.118-.193] | 1000 | LOOSE PIECE      | 52957     |
| L               | E               | WIRE INSUL DIA           | QTY  | PACKAGE TYPE     | PART NO   |

|  |  |   |  |   |                             |   |  |
|--|--|---|--|---|-----------------------------|---|--|
| <b>AMP INCORPORATED<br/>CUSTOMER SERVICE SYSTEMS</b>                             |  | MAX RECOMMENDED OPERATING TEMPERATURE:<br>105°C [221° F]  | THIS DRAWING IS A CONTROLLED DOCUMENT. |   | DWN<br>L OLMEDA 26JUN85     | Tyco Electronics Corporation<br>Harrisburg, Pa 17105-3608 |  |
| FOR ADDITIONAL PRODUCT INFORMATION OR COPIES OF DRAWINGS AND TECHNICAL DOCUMENTS | PRODUCT INFORMATION CENTER<br>1-800-522-6752 | VOLTAGE RATING:<br>600V MAX<br>(1000V FIXTURE OR SIGN)  | DIMENSIONS:<br>mm [INCHES]             | TOLERANCES UNLESS OTHERWISE SPECIFIED:<br>0 PLC ± -<br>1 PLC ± -<br>2 PLC ± 0.20 [.008]<br>3 PLC ± -<br>4 PLC ± -<br>ANGLES ± - | CHK<br>M ELLIS 26JUN85      |   | NAME<br>G NGO  |
| FOR APPLICATION  | TOOLING ASSISTANCE CENTER<br>1-800-722-1111  | CIRCULAR MIL AREA:<br>1.04-2.62mm² [2,050-5,180]<br>SOLID OR STRANDED   |  | MATERIAL<br>- 4   | FINISH<br>TIN PER ASTM B545 | PRODUCT SPEC<br>UL 486A                                   | TERMINAL, SPRING SPADE,<br>SHORT, PLASTI-GRIP,<br>WIRE SIZE: 16-14 |
| TOOLING INFORMATION  | 1-800-722-1111                               | THIS DRAWING IS A CONTROLLED DOCUMENT FOR AMP INCORPORATED. IT IS SUBJECT TO CHANGE AND THE CONTROLLING ENGINEERING ORGANIZATION SHOULD BE CONTACTED FOR THE LATEST REVISION. |  |   |                             | APPLICATION SPEC  | SIZE CAGE CODE DRAWING NO RESTRICTED TO<br>A3 00779 C-52957        |
| FOR ORDER ENTRY  | 1-800-526-5142                               |   |  |   |                             | WEIGHT  | CUSTOMER DRAWING SCALE 6:1 SHEET 1 OF 1 REV N                      |

AMP 1470-19 REV 31MAR2000