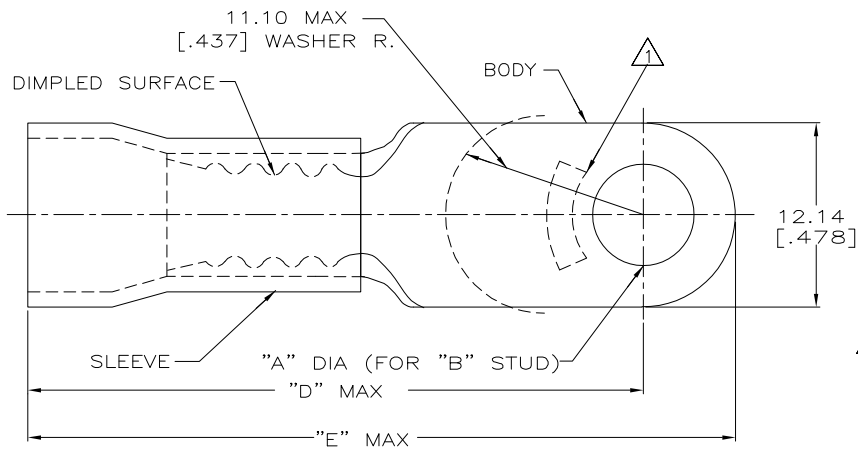


INSULATION

DRAWING MADE IN THIRD ANGLE PROJECTION  
 THIS DRAWING IS UNPUBLISHED. RELEASED FOR PUBLICATION, 19  
 © COPYRIGHT 19 BY AMP INCORPORATED. ALL INTERNATIONAL RIGHTS RESERVED.

LOC	DIST	ZONE	LTR	REVISIONS	DATE	APPD
G	14	P	F	R1 REV PER ECR 06-001832	25APR06	TM



<b>AMP</b> WIRE RANGE	FILE E13288	LR7189 Certified
8 AWG STRANDED	8 AWG STRANDED	8 AWG STRANDED

- NOTE:
1. STAMP AMP 8\* LOCATE APPROX AS SHOWN
  2. TONGUE MATERIAL THK 1.02±0.08 [.040±.003]
  3. SEE TABLE FOR WIRE INSULATION DIA MAX
  4. TAPE ITEMS ARE ON 30.48 [1.200] CENTERS

"E"	"D"	WIRE INSULATION "B"	"A"	QTY	PACKAGE TYPE	PART NO
40.64 [1.600]	34.49 [1.358]	8.38 [.330]	1/4	25	LOOSE PC, BOX SPL	8-52041-5
40.64 [1.600]	34.49 [1.358]	8.38 [.330]	1/4	500	ON TAPE	52041-9 52041-7 52041-6
40.28 [1.586]	34.14 [1.344]	9.14 [.360]	#8	100	LOOSE PC	52041-3 52041-1 52041
40.64 [1.600]	34.49 [1.358]	8.38 [.330]	1/4			
40.28 [1.586]	34.14 [1.344]	9.14 [.360]	#8			

<b>AMP INCORPORATED CUSTOMER SERVICE SYSTEMS</b>		MAX RECOMMENDED OPERATING TEMPERATURE: 90° C	VOLTAGE RATING: 600 V MAX	CIRCULAR MIL AREA: 6.64-10.54mm <sup>2</sup> [13,100-20,800] STRANDED	FINISH: TIN PLATE PER ASTM B545	DR: 9-28-93 S.S. GOULDEN CHK: 9-28-93 R. HERSEY APPD: 9-28-93 B. BARE APPD: 9-28-93 M. ELLIS PRODUCT SPEC: NOT AVAILABLE APPLICATION SPEC: NOT AVAILABLE WEIGHT: -	AMP Incorporated Harrisburg, PA 17105-3608 NAME: TERMINAL, RING TONGUE, PLASTI-GRIP, WIRE SIZE: 8 AWG SIZE: B CAGE CODE: 00779 DRAWING NO: 52041 SCALE: NTS SHEET: 1 OF 1
FOR ADDITIONAL PRODUCT INFORMATION OR COPIES OF DRAWINGS AND TECHNICAL DOCUMENTS	PRODUCT INFORMATION CENTER 1-800-522-6752	FOR APPLICATION TOOLING ASSISTANCE CENTER TOOLING INFORMATION 1-800-722-1111		FOR ORDER ENTRY 1-800-526-5142		THIS DRAWING IS A CONTROLLED DOCUMENT FOR AMP INCORPORATED. IT IS SUBJECT TO CHANGE AND THE CONTROLLING ENGINEERING ORGANIZATION SHOULD BE CONTACTED FOR THE LATEST REVISION.	

AMP 1470-15 REV 3-92 Transistor 021119-120437 (YYMMDD.HHMMSS) from Comperision, Inc., Medusa Revision 12.2.91

CUSTOMER DRAWING