

**N Series — Low Profile Filtered Modular RJ Jack**

# N Series



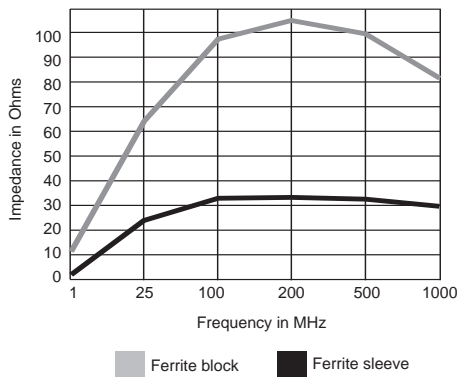
**UL Recognized  
CSA Certified**



## N Series

Low profile version of our SIGNAL SENTRY Filtered Modular Jack series. Available with sleeve or block inductors and optional grounded shielding. Grounded shielding allows connection to grounded cables for additional RFI protection.

### Typical Impedance in Ohms



## Specifications

### Contacts:

Material:	Phosphor Bronze
Plating:	50 microinches gold
Barrier underplating:	100 microinches nickel
Resistance:	
Initial:	20 milliohms max.
After durability testing: (500 mating cycles)	30 milliohms max.

### PCB Terminals:

Solderability	60/40
---------------	-------

### Ferrites:

Type:	High resistivity, nickel zinc ceramic
Sleeves:	Single-aperture cylinders
Block:	Multi-aperture rectangular prism

### Shield Material:

Tin-plated copper alloy

### Housing Material:

Black glass filled polyester (Valox 457)

### Dielectric Withstanding Voltage:

Line-to-line and line-to-ground	1000 VAC for 60 seconds
---------------------------------	----------------------------

### Printed Circuit Board Retention:

Before soldering:	1 lb. minimum
After soldering:	20 lb. minimum

Model dimensions and PC board layout on pages 170 to 174.

## Part Numbers

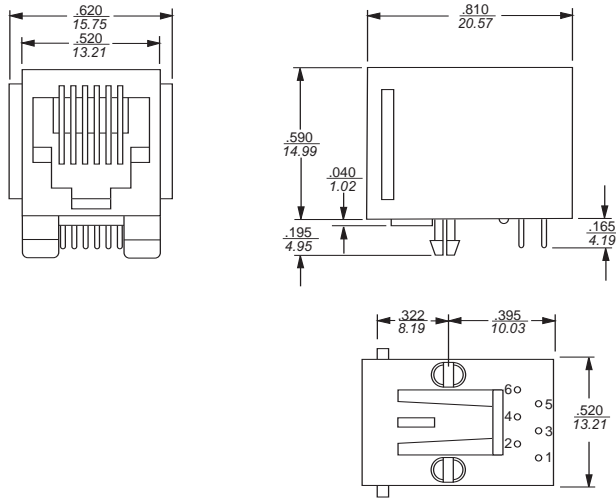
RJ11-6N-B	RJ45-8N-B
RJ11-6N-S	RJ45-8N-S
RJ11-6N3-B	RJ45-8N3-B
RJ11-6N3-S	RJ45-8N3-S
RJ11-6N4-B	RJ45-8N4-B
RJ11-6N4-S	RJ45-8N4-S

**Model Dimensions**

**Standard Profile RJ Jack Dimensions**

For the L, LC, LCT and X Series of RJ Jack Filters

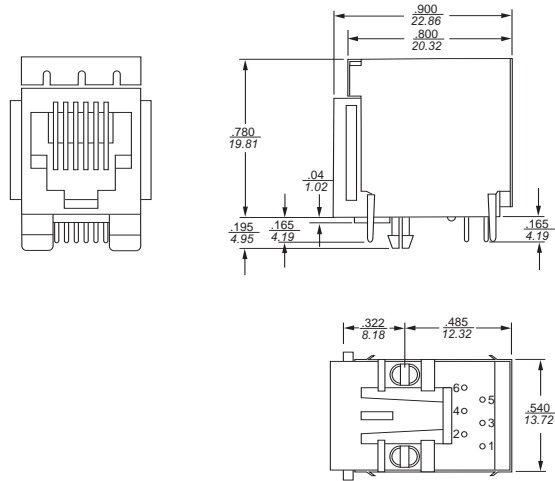
**RJ11 (No Shield)**



**Part Numbers**

RJ11-2L-S	RJ11-2L-B	RJ11-2X
RJ11-4L-S	RJ11-4L-B	RJ11-4X
RJ11-6L-S	RJ11-6L-B	RJ11-6X

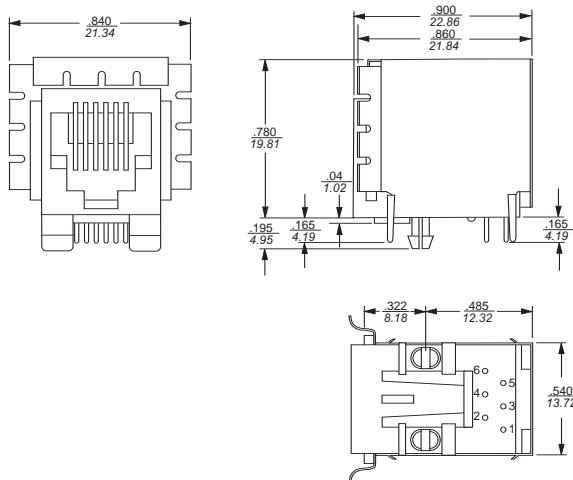
**RJ11 (Style 2 Shield)**



**Part Numbers**

RJ11-2LC2-S	RJ11-2LC2-B	RJ11-4L2-S	RJ11-6L2-B
RJ11-4LC2-S	RJ11-4LC2-B	RJ11-6L2-S	RJ11-6LCT2-S
RJ11-6LC2-S	RJ11-6LC2-B	RJ11-4L2-B	RJ11-6LCT2-B

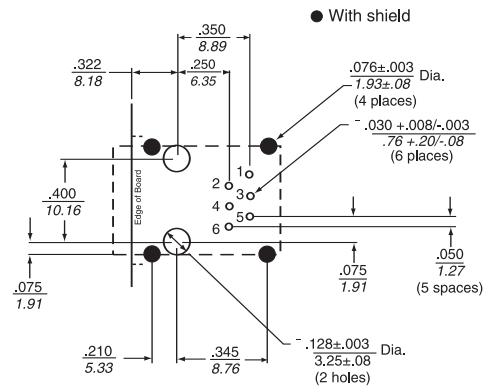
**RJ11 (Style 1 Shield)**



**Part Numbers**

RJ11-2LC1-S	RJ11-2LC1-B	RJ11-4L1-S	RJ11-6L1-B
RJ11-4LC1-S	RJ11-4LC1-B	RJ11-6L1-S	RJ11-6LCT1-S
RJ11-6LC1-S	RJ11-6LC1-B	RJ11-4L1-B	RJ11-6LCT1-B

**RJ11 (PC Board Layout)**



Shown from Component Side

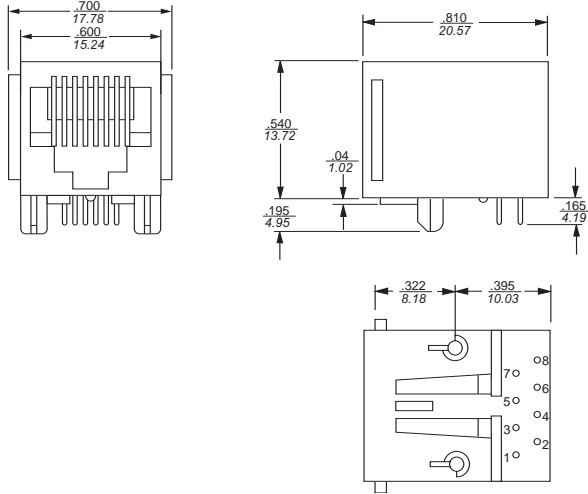
For all RJ11 L, LC, LCT and X Series Models

**Model Dimensions (Continued)**

**Standard Profile RJ Jack Dimensions (cont'd)**

For the L, LC, LCT and X Series of RJ Jack Filters

**RJ45 (No Shield)**

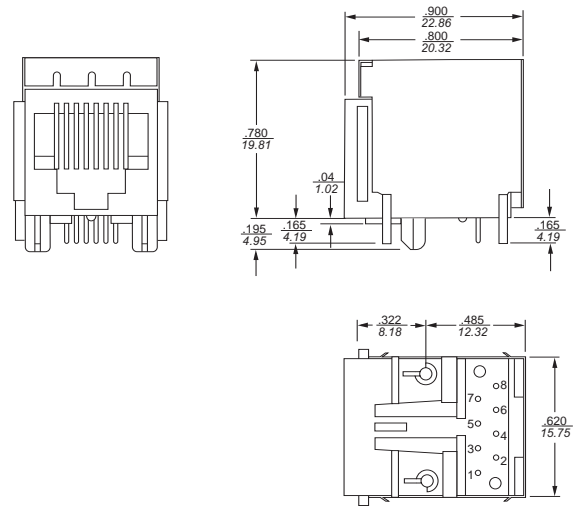


**Part Numbers**

RJ45-6L-S  
RJ45-8L-S  
RJ45-6L-B

RJ45-8L-B  
RJ45-6X  
RJ45-8X

**RJ45 (Style 2 Shield)**



**Part Numbers**

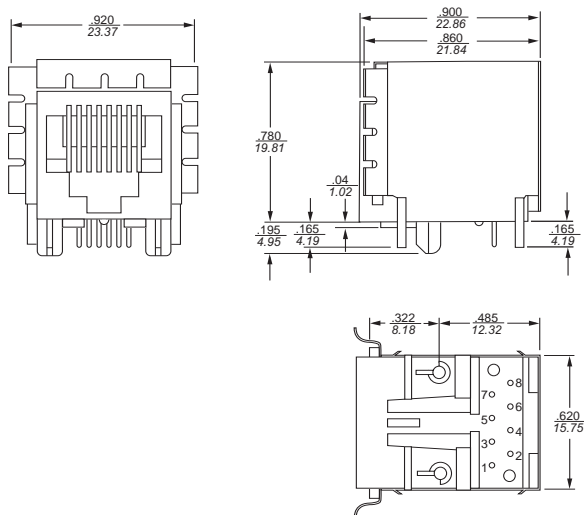
RJ45-6LC2-S  
RJ45-6L2-S  
RJ45-8LCT2-S

RJ45-8LC2-S  
RJ45-8L2-S  
RJ45-8LCT2-B

RJ45-6LC2-B  
RJ45-6L2-B

RJ45-8LC2-B  
RJ45-8L2-B

**RJ45 (Style 1 Shield)**



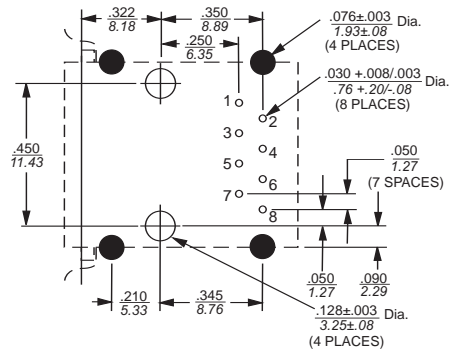
**Part Numbers**

RJ45-6LC1-S  
RJ45-6L1-S  
RJ45-8LCT1-S

RJ45-8LC1-S  
RJ45-8L1-S  
RJ45-8LCT1-B

RJ45-6LC1-B  
RJ45-6L1-B  
RJ45-8LC1-B  
RJ45-8L1-B

**RJ45 (PC Board Layout)**



Shown from Component Side

For all RJ45 L, LC, LCT and X Series Models.

**Part Numbers**

RJ45-6LC2-S  
RJ45-6L2-S  
RJ45-8LCT2-B

RJ45-8LC2-S  
RJ45-8L2-S  
RJ45-8LCT2-S

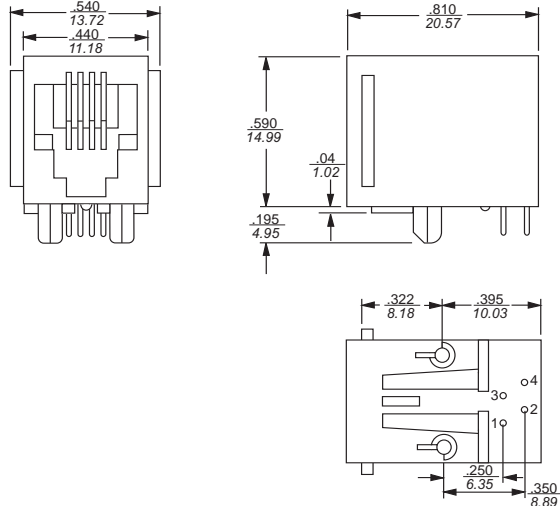
RJ45-6LC2-B  
RJ45-6L2-B

RJ45-8LC2-B  
RJ45-8L2-B

**Model Dimensions (Continued)**

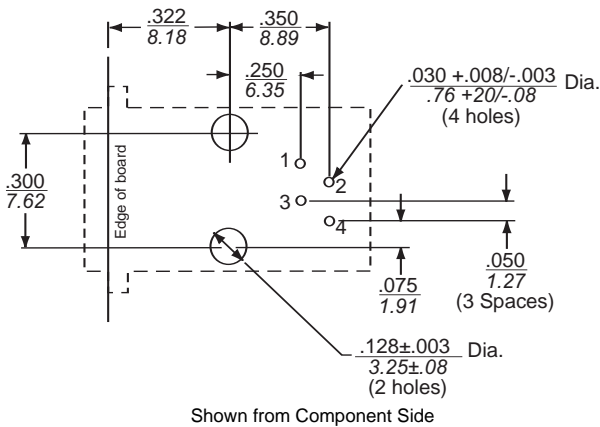
**Standard Profile RJ Jack Dimensions (cont'd)**  
For the L, LC, LCT and X Series of RJ Jack Filters

**RJH (No Shield)**



**Part Numbers**  
RJH-4-L-B

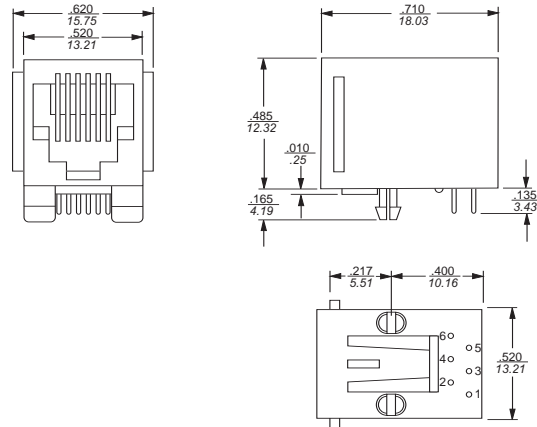
**RJH (No Shield - PC Board Layout)**



All tolerances  $\pm 0.010$  [0.25] unless otherwise noted.

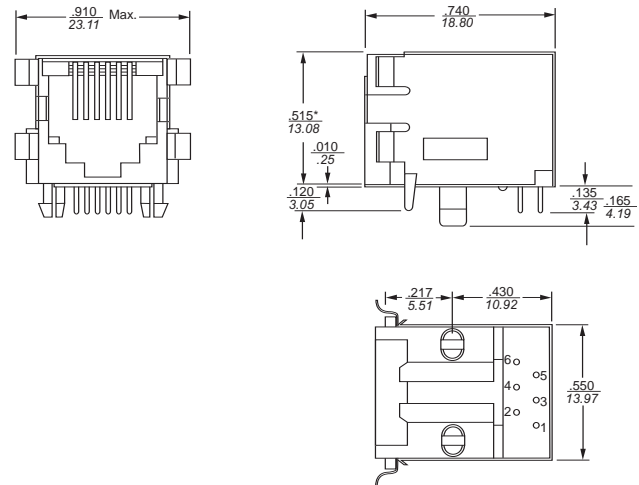
**Low Profile RJ Jack Dimensions**  
For the N and Z Series of RJ Jack Filters

**RJ11 (Low Profile - No Shield)**



**Part Numbers**  
RJ11-6N-B      RJ11-6N-S      RJ11-6Z

**RJ11 Low Profile (Style 3 Shield)**



**Part Numbers**  
RJ11-6N3-B      RJ11-6N3-S      RJ11-6Z3

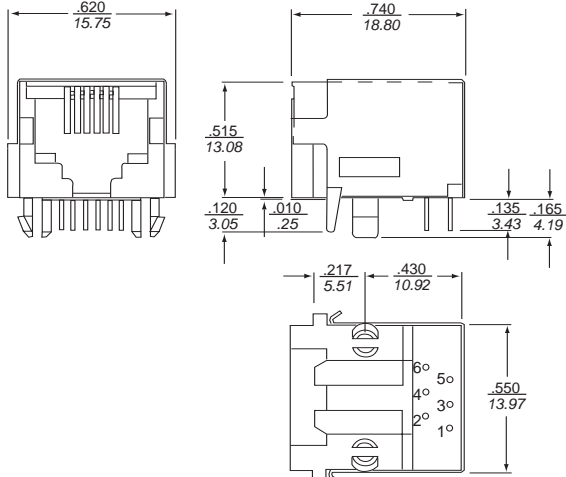
\*To top of shield

**Model Dimensions (Continued)**

**Low Profile RJ Jack Dimensions (cont'd)**

For the N and Z Series of RJ Jack Filters

**RJ11 Low Profile (Style 4 Shield)**



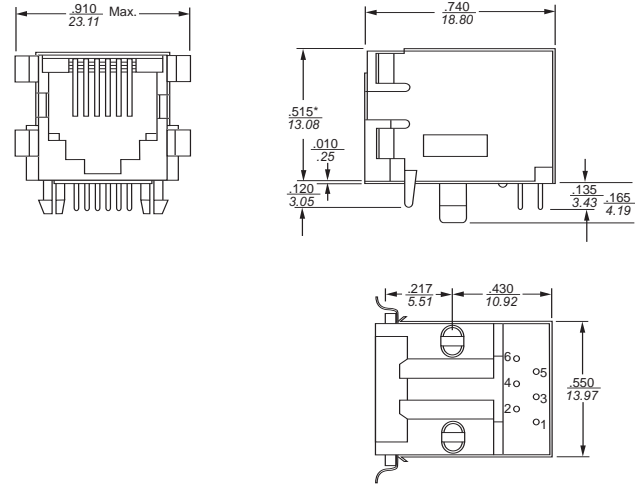
**Part Numbers**

RJ11-6N4-B

RJ11-6N4-S

RJ11-6Z4

**RJ45 Low Profile (No Shield)**



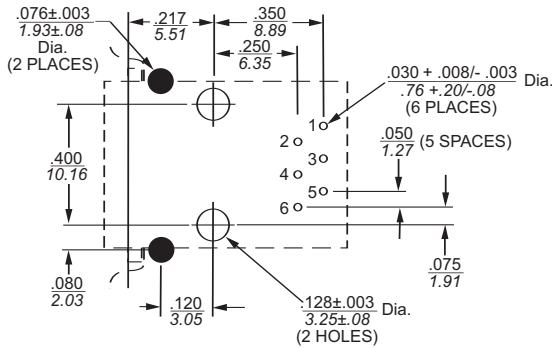
**Part Numbers**

RJ11-6N3-B

RJ11-6N3-S

RJ11-6Z3

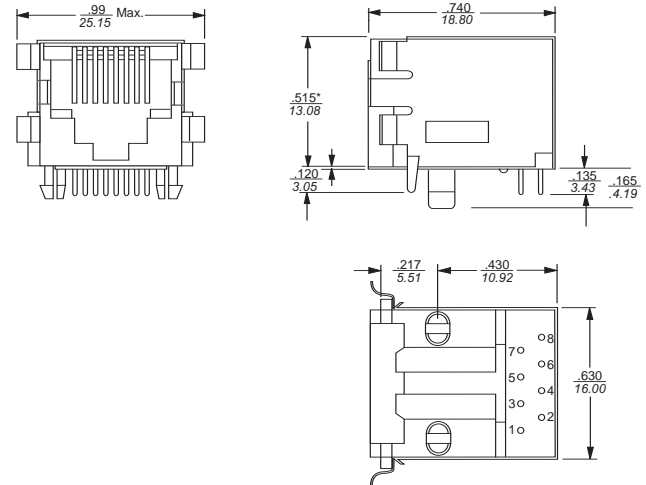
**RJ11 Low Profile (PC Board Layout)**



Shown from Component Side

For all RJ11 N and Z Series Models

**RJ45 Low Profile (Style 3 Shield)**



**Part Numbers**

RJ45-8N3-B

RJ45-8N3-S

RJ45-8Z3

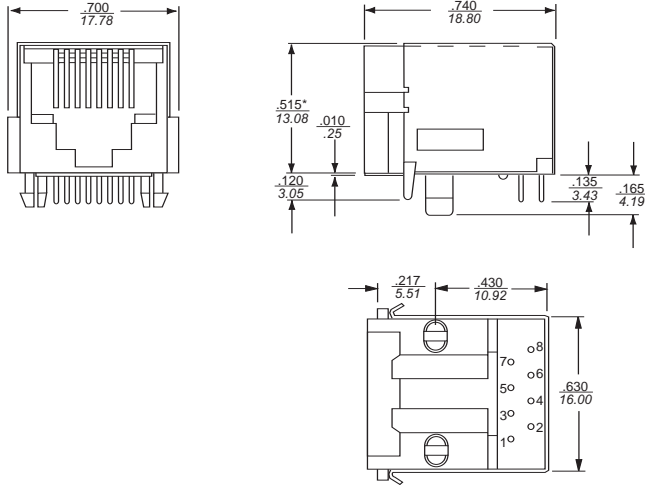
\*To top of shield

**Model Dimensions (Continued)**

**Low Profile RJ Jack Dimensions (cont'd)**

For the N and Z Series of RJ Jack Filters

**RJ45 Low Profile (Style 4 Shield)**



**Part Numbers**

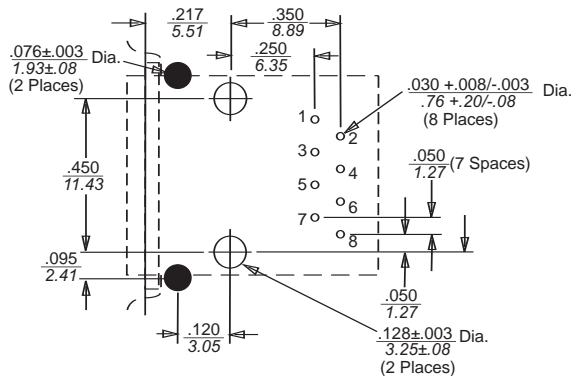
RJ45-8N4-B

RJ45-8N4-S

RJ45-8Z4

\*To top of shield

**RJ45 Low Profile (PC Board Layout)**



Shown from Component Side

For all RJ45 N and Z Series Models

All tolerances  $\pm 0.010$  [0.25] unless otherwise noted.