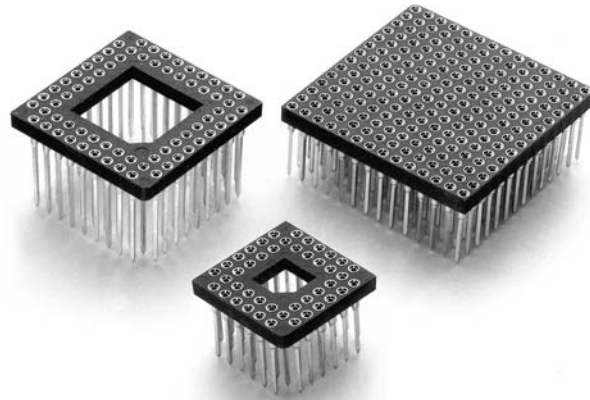
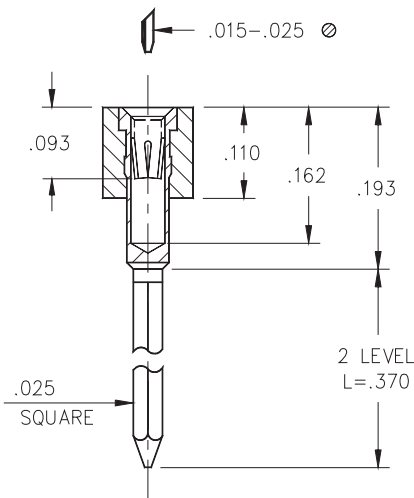


- Series 522 & 523 PGA sockets are available in 2 and 3 level wrapost lengths.
- Choice of three low force clips to cover all applications.
- Hi-Temp PCT polyester insulator material suitable for all forms of soldering.

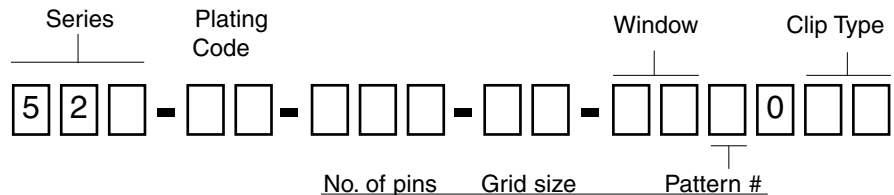


**2 LEVEL WRAPOST  
SERIES 522**



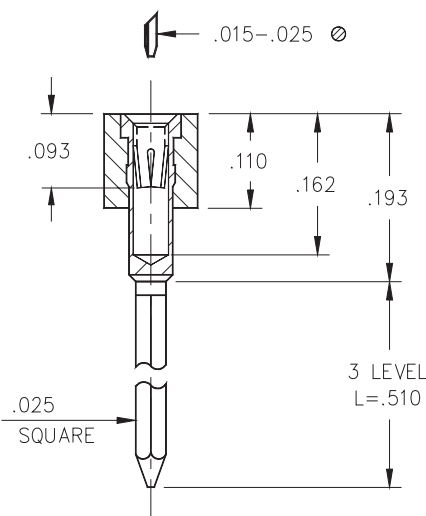
**Ordering Information**

1. Select 2 or 3 Level Wrapost pin at left to determine series number.
2. Specify 2-digit plating code from chart at bottom of page.
3. Locate footprint pattern from pages 107 to 111, the middle 8 digits of the part number will be located under the pattern.
4. Determine the last 2 digits of part number from the Contact Chart below.



Determined from footprint pattern pages 107 to 111

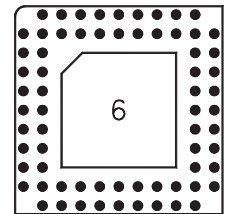
**3 LEVEL WRAPOST  
SERIES 523**



**EXAMPLE OF COMPLETE PART NUMBER:**

523-13-068-11-061001

This is a 68 pin (11x11 grid) insulator with a .6" square window and fitted with 3 level wraposts. Pin sleeve is plated 10μ" gold, inner contacts are Mill-Max #32 and are plated 30μ" gold.



Clip Type

Contact (Clip) Chart

|    |  |
|----|--|
| 01 | Mill-Max #32 clip, standard low force, recommended for devices with less than 150 pins. See page 208 for details.                      |
| 02 | Mill-Max #35 clip, ultra low force, recommended for devices with more than 150 pins, but less than 250 pins. See page 209 for details. |
| 03 | Mill-Max #43 clip, "ultra lite", recommended for devices with more than 250 pins. See page 209 for details.                            |

|                          |         |             |          |
|--------------------------|---------|-------------|----------|
| SPECIFY PLATING CODE XX= | 13◇     | 93          | 43◇      |
| Sleeve (Pin)             | 10μ" Au | 200μ" Sn/Pb | 200μ" Sn |
| Contact (Clip)           | 30μ" Au | 30μ" Au     | 30μ" Au  |