

(2,54mm) .100"
BSW SERIES

BOTTOM MOUNT SOCKET STRIPS

Mates with:
TSW, MTSW, MTLW,
EW, ZW, TSM

FEATURES

- Bottom mount socket strips accept .025" SQ terminals.
- Ideal for soldering and plugging from the same side of the board.
- For low profile connections and high temperature soldering.

SPECIFICATIONS

For complete specifications and recommended PCB layouts see www.samtec.com?BSW

Insulator Material:

Black High Temperature Thermoplastic



Insulation Resistance:

5000 MΩ min



Contact Material:

Phosphor Bronze

Plating:

Au or Sn over 50μ" (1,27μm) Ni

Current Rating:

3A

Operating Temp Range:

-55°C to +125°C with Gold

-55°C to +105°C with Tin

Withstanding Voltage:

1000 VRMS @ 60 Hz

Contact Resistance:

10 mΩ max

Insertion Depth:

(3,68mm) .145" to (6,35mm) .250"

Insertion Force:

(Single contact only)

Standard = 8oz (2,23N) avg.

Low Insertion Force = 3oz (0,83N) avg.

Withdrawal Force:

(Single contact only)

Standard = 8oz (2,23N) avg.

Low Insertion Force = 3oz (0,83N) avg.

RoHS Compliant:

Yes

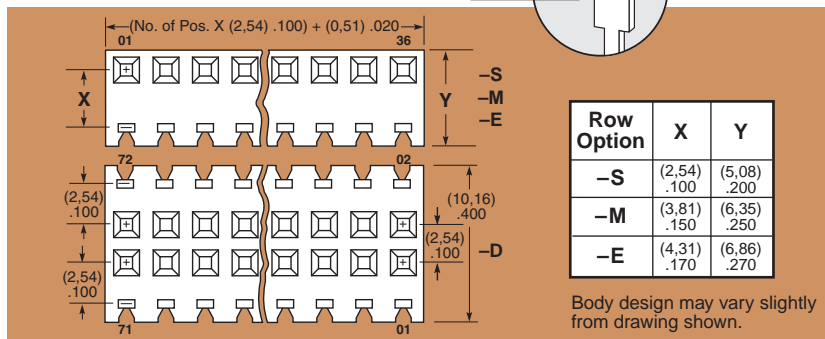
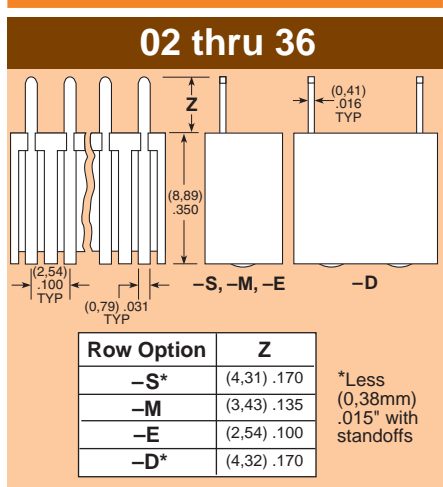
Lead-Free Solderable:

Wave only

Note: Other Gold plating options available. Contact Samtec.

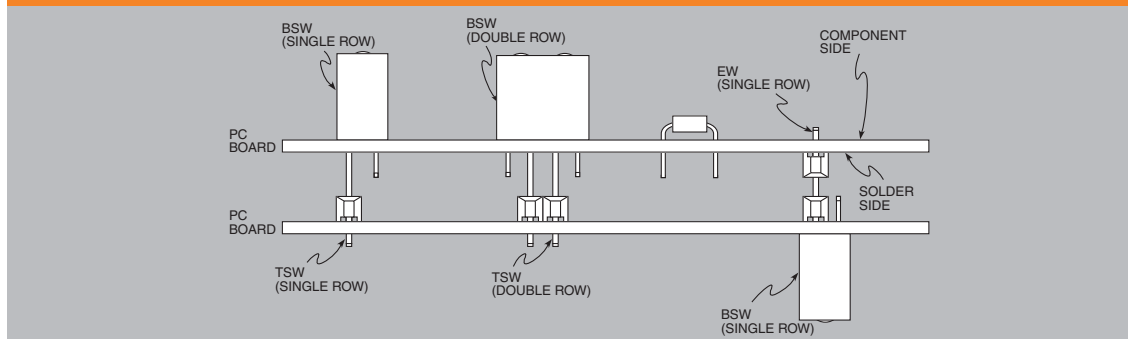
Note: Some lengths, styles and options are non-standard, non-returnable.

BSW	1	NO. PINS PER ROW	LEAD STYLE	PLATING OPTION	ROW OPTION	OTHER OPTION
			-04 = Standard Lead	-L = 10μ" (0,25μm) Gold contact, Matte Tin on tail		-S = Standoffs for single and double rows only.
			-24 = Low Insertion Force	-G = 20μ" (0,51μm) Gold contact, Gold Flash on tail		
				-T = Matte Tin (N/A with Low Insertion Force)		



- S = Single Row
- M = Single Row More Plug Space
- E = Single Row Extended Plug Space
- D = Double Row

APPLICATIONS



Due to technical progress, all designs, specifications and components are subject to change without notice.

WWW.SAMTEC.COM

SAMTEC USA • Tel: 1-800-SAMTEC-9 or 812-944-6733 SAMTEC SILICON VALLEY • Tel: 408-395-5900 SAMTEC SOUTHERN CALIFORNIA • Tel: 1-800-726-8329 SAMTEC UK • Tel: 44 01236 739292
 SAMTEC GERMANY • Tel: +49 (0) 89 / 89460-0 SAMTEC FRANCE • Tel: 33 01 60 95 06 60 SAMTEC ITALY • Tel: 39 039 6890337 SAMTEC NORDIC/BALTIC • Tel: +46-84477280 SAMTEC BENELUX • Tel: 44 01236 739292
 SAMTEC ISRAEL • Tel: 972-3-7526600 SAMTEC INDIA • Tel: +91-80-3272 1612 SAMTEC ASIA PACIFIC • Tel: 65 6745-5955 SAMTEC JAPAN • Tel: 045-475-1385 SAMTEC CHINA • Tel: 86-21-61103766
 SAMTEC TAIWAN • Tel: 886-2-2735-6109 SAMTEC HONG KONG • Tel: 852-26904858 SAMTEC KOREA • Tel: 82-31-717-5685 SAMTEC SOUTH AFRICA • Tel: 27 11 452 8112 SAMTEC ANZ • Tel: 613 9512 7747