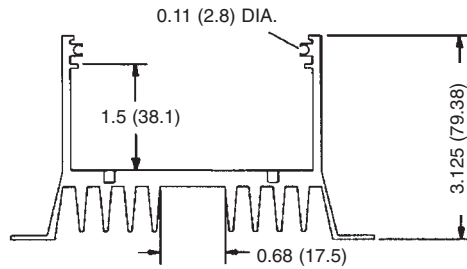
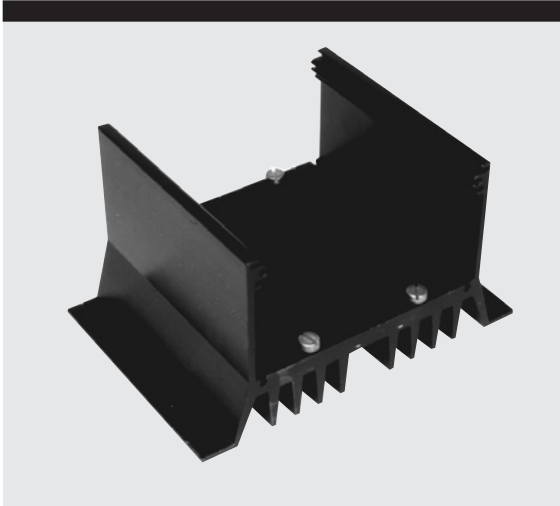


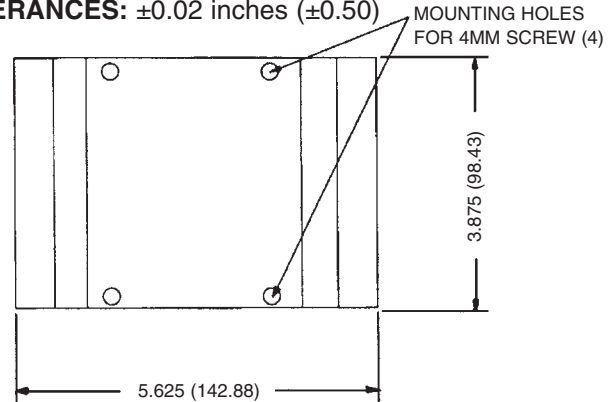
## SOLID STATE RELAY ACCESSORIES

### HS1 HEATSINK



**DIMENSIONS:** inches (mm)

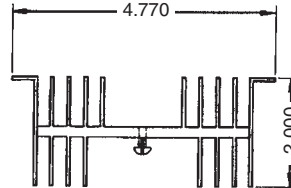
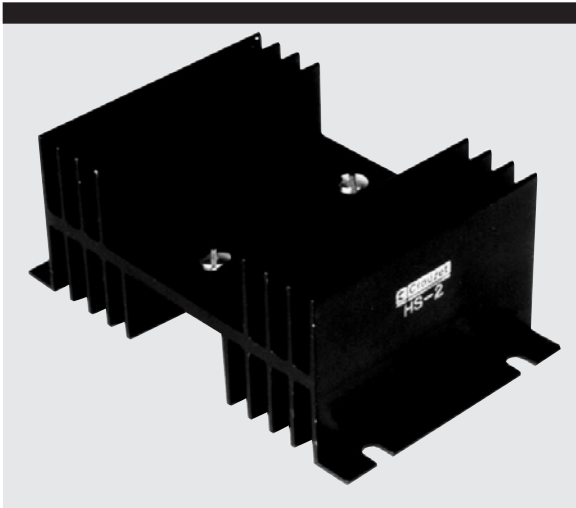
**TOLERANCES:** ±0.02 inches (±0.50)



#### ORDERING INFORMATION:

Model #	Description
HS1	Heatsink 1.5°C/W (For GA0 & GA3 Series SSR's)

### HS2 HEATSINK

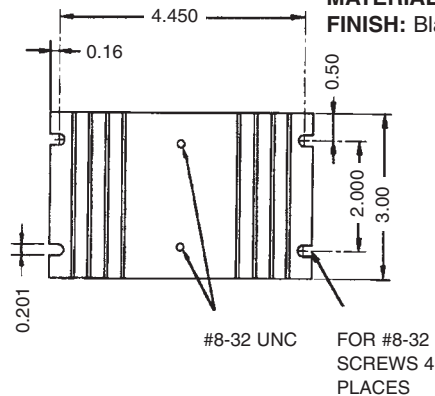


**DIMENSIONS:** inches

**TOLERANCES:** ±0.02 inches

**MATERIAL:** AISI 6063-T5 Aluminum

**FINISH:** Black Anodized



#### ORDERING INFORMATION:

Model #	Description
HS2	Heatsink 2.0°C/W (For Single Phase SSR's)

Products and specifications subject to change without notice.

Consult factory for application assistance.

204 Airline Drive, Suite 300, Coppell, Texas 75019 / Tel: (800) 677-5311 / FAX: (800) 677-3865 / [www.crouzet-usa.com](http://www.crouzet-usa.com)