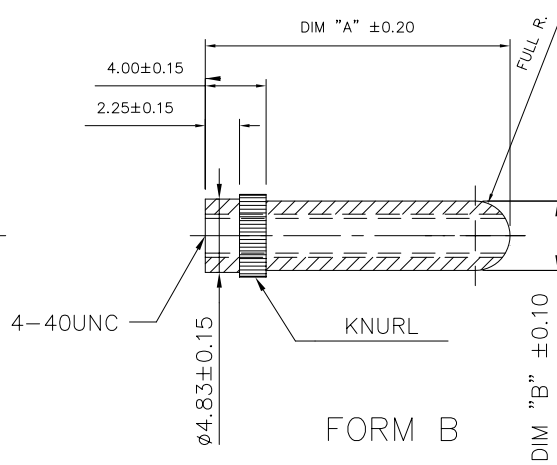
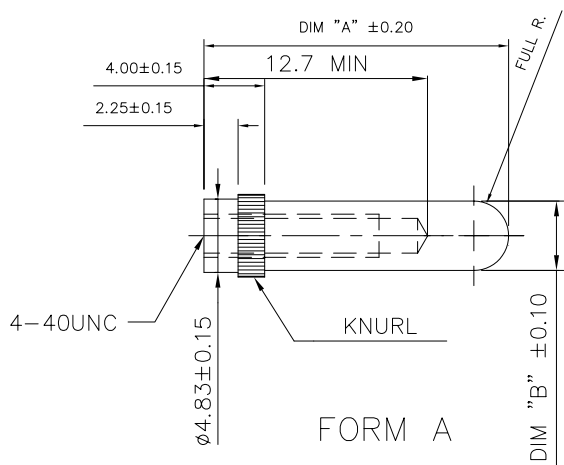


PRODUCT No.	DIM "A"	DIM "B"	THREAD DEEP	MATERIAL	DESIGN FORM
91098-001	20.02	∅ 4.57	12.7 MIN.	MATERIAL: 303 STAINLESS STEEL FINISH: #32 SURFACE FINISH	A
91098-002	31.00	∅ 4.57			
91098-003	20.02	∅ 4.20	THRU ALL	BRASS Cu Zn 39Pb3, FINISH 0.76μ Ni	B



NOTES:

1. ADD "LF" SUFFIX AT THE END OF PART NUMBER FOR LEAD FREE OPTION.
2. THIS PRODUCT MEETS EUROPEAN UNION DIRECTIVES AND OTHER COUNTRY REGULATION AS DESCRIBED IN GS-22-008.

mat'l. code		surface		tolerance		projection		product family	
NOTE 1		ISO 1302		ISO 406		MM		METRAL (tm)	
ltr	ecn	no	dr	date	tolerances unless otherwise specified		title		
B	V50971	GAH	950802		angles	linear	.X±.3		GUIDE PIN
C	V80456	MDF	3/25/98		0°±2'		.XX±.13		
D	Y91328	MDF	4/28/99				.XXX±.051		scale 3:1
E	M06-0281	MHT	7/06/06	dr	G.HULL		7/17/95		
F	M06-0324	AGS	8/24/06	enrg	R.DOUTRICH		7/17/95		
G	M06-0463	AGS	11/22/08	chr	R.DOUTRICH		7/17/95		
H	M06-0491	MHT	12/13/08	appd	R.DOUTRICH		7/17/95		
sheet index	revision	H					FCJ		dwg no
	sheet	1							91098
									sheet 1 of 1
									size
									A3
									type
									Product Customer Drawing